

WALL PANEL
E1

QUANTITY
1

PROJECT
TAFE-MA1006640-M

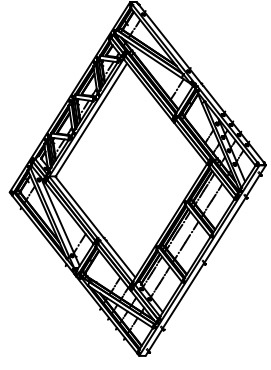
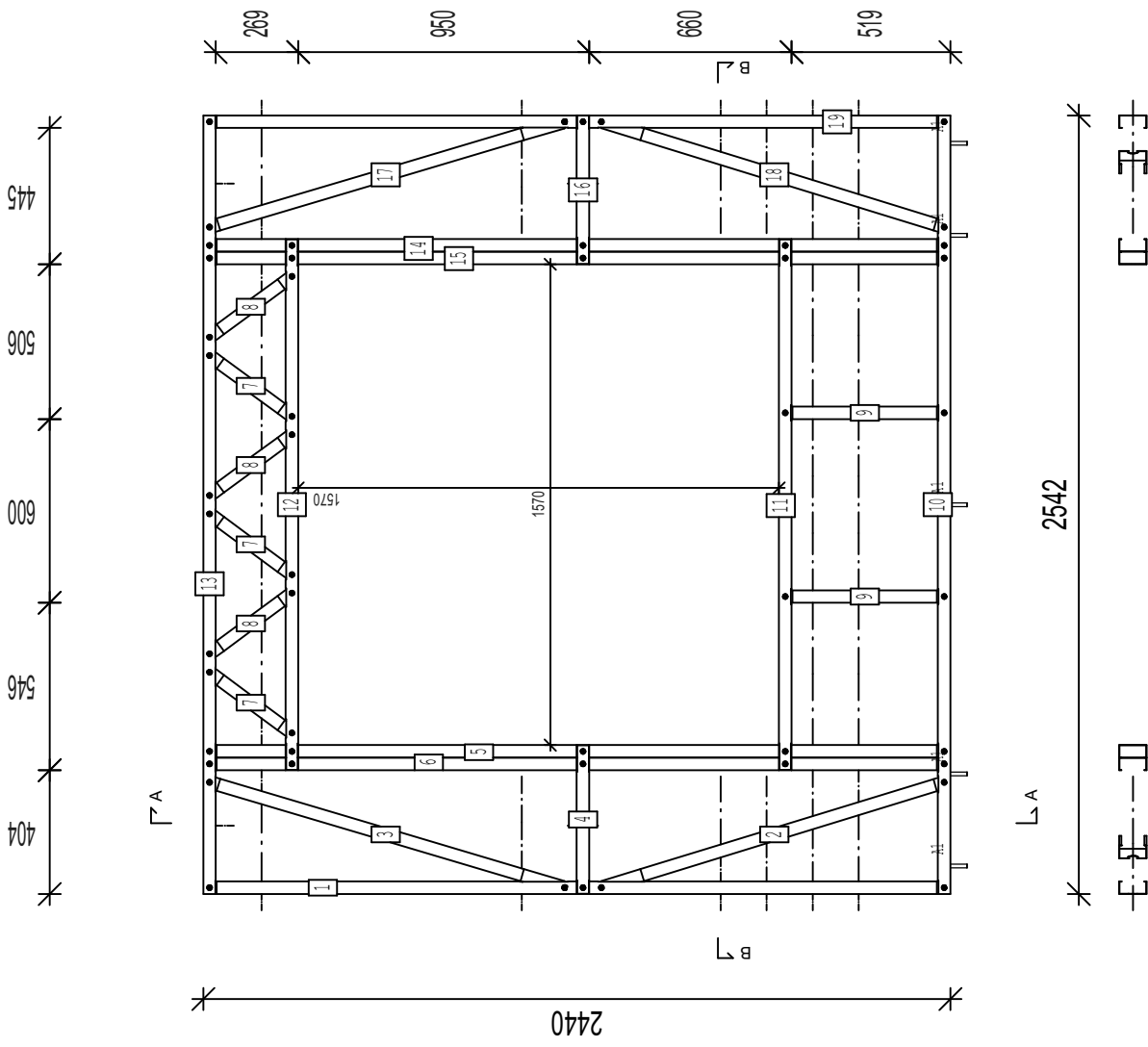
PANEL HEIGHT
2440

FRAME WEIGHT - 35.9kg
PANEL WEIGHT - 35.9kg

MetalFrame Australia Pty Ltd
07.09.2024 Customer: TAFE NSW

SCREW QTY: 100

PIECE LIST				
LABEL	QTY	MATERIAL	DESCRIPTION	LENGTH
1	1	C88-4-075	STUD	2439
2	1	C88-4-075	DIAGONAL BRACE	1193
3	1	C88-4-075	DIAGONAL BRACE	1231
4	1	C88-4-075	NOGGIN	485
5	1	C88-4-075	KING STUD	2439
6	1	C88-4-075	KING STUD	2439
7	3	C88-4-075	INTERNAL BRACE	367
8	3	C88-4-075	INTERNAL BRACE	367
9	2	C88-4-075	CRIPPLE	569
10	1	C88-4-075	BOTTOM TRACK	2542
11	1	C88-4-075	SILL	1733
12	1	C88-4-075	HEADER	1733
13	1	C88-4-075	TOP TRACK	2542
14	1	C88-4-075	KING STUD	2439
15	1	C88-4-075	KING STUD	2439
16	1	C88-4-075	NOGGIN	485
17	1	C88-4-075	DIAGONAL BRACE	1231
18	1	C88-4-075	DIAGONAL BRACE	1193
19	1	C88-4-075	STUD	2439
QTY/4	TOTAL LENGTH: 3322mm			



WALL PANEL
E2

QUANTITY
1

PROJECT
TAFE-MA1006640-M

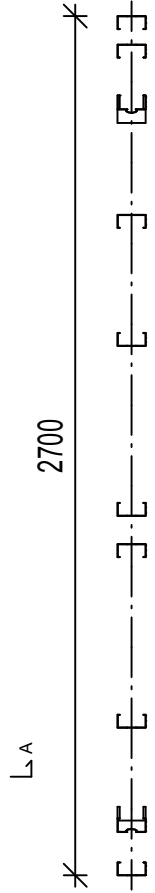
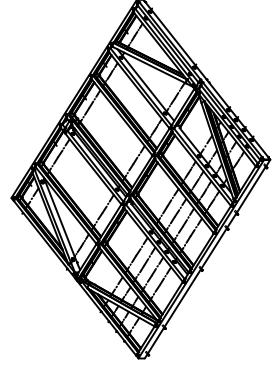
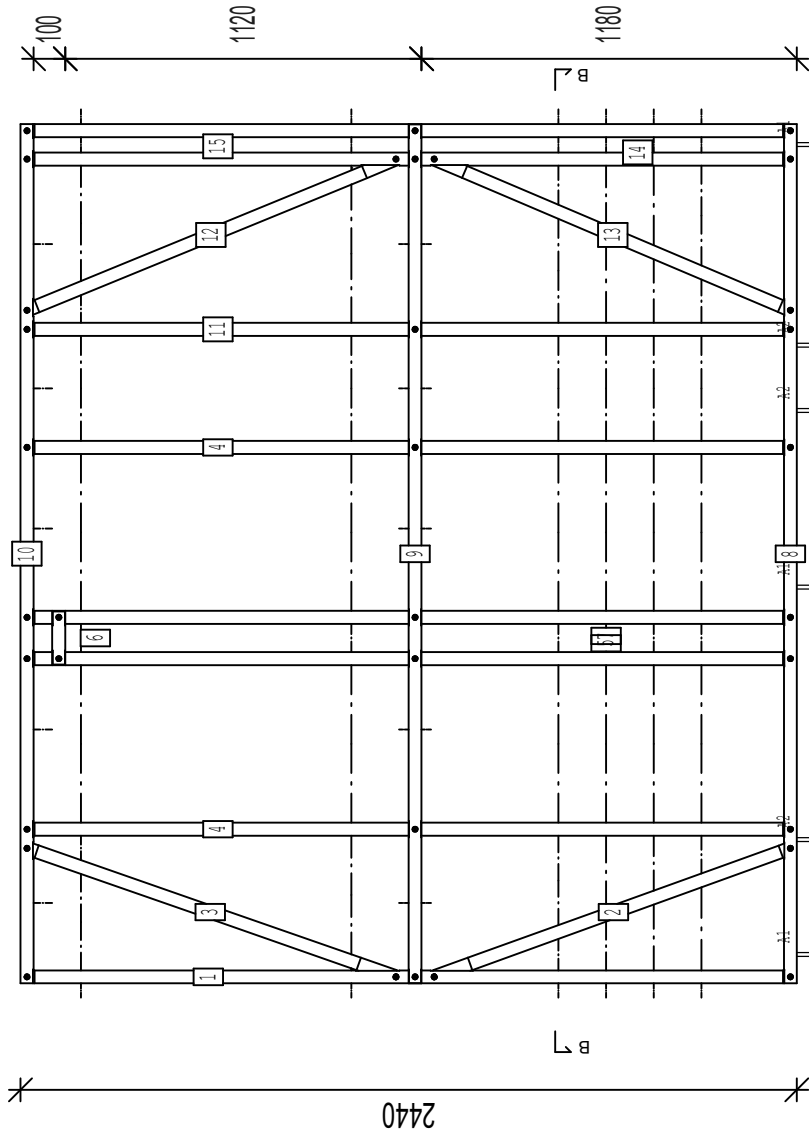
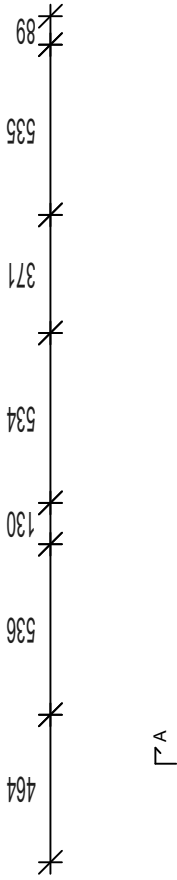
PANEL HEIGHT
2440

FRAME WEIGHT - 36.4kg
PANEL WEIGHT - 36.4kg

Meframe Australia Pty Ltd
07.09.2024 Customer: TAFE NSW

SCREW QTY: 68

PIECE LIST				
LABEL	QTY	MATERIAL	DESCRIPTION	LENGTH
1	1	C88-4-075	STUD	2439
2	1	C88-4-075	DIAGONAL BRACE	1214
3	1	C88-4-075	DIAGONAL BRACE	1251
4	2	C88-4-075	STUD	2439
5	1	C88-4-075	BACKER STUD	2439
6	1	C88-4-075	TOP TRACK	167
7	1	C88-4-075	BACKER STUD	2439
8	1	C88-4-075	BOTTOM TRACK	2700
9	1	C88-4-075	NOGGIN	2689
10	1	C88-4-075	TOP TRACK	2700
11	1	C88-4-075	STUD	2439
12	1	C88-4-075	DIAGONAL BRACE	1283
13	1	C88-4-075	DIAGONAL BRACE	1247
14	1	C88-4-075	STUD	2439
15	1	C88-4-075	STUD	2439
QTY 16 TOTAL LENGTH: 32773mm				



WALL PANEL
E3

QUANTITY
1

PROJECT
TAFE-MA1006640-M

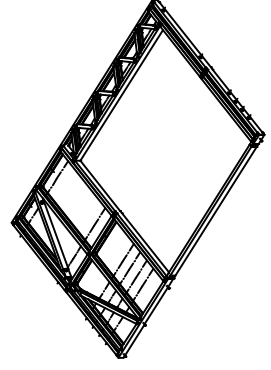
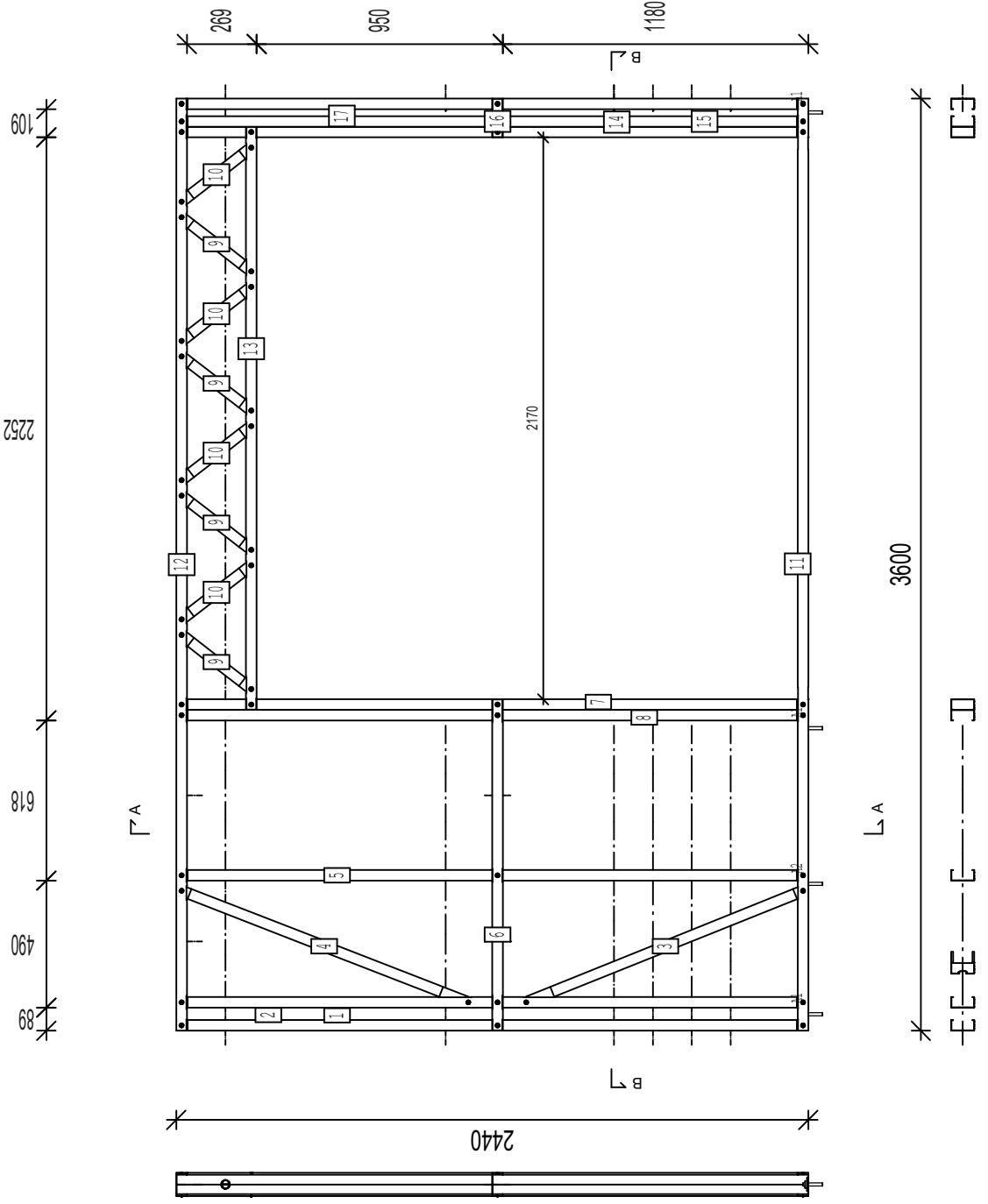
PANEL HEIGHT
2440

FRAME WEIGHT - 39.7kg
PANEL WEIGHT - 39.7kg

Metframe Australia Pty Ltd
07.09.2024 Customer: TAFE NSW

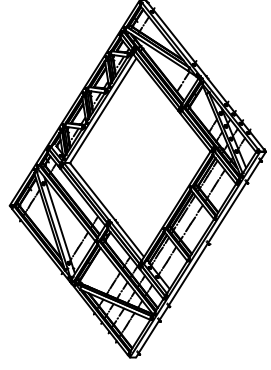
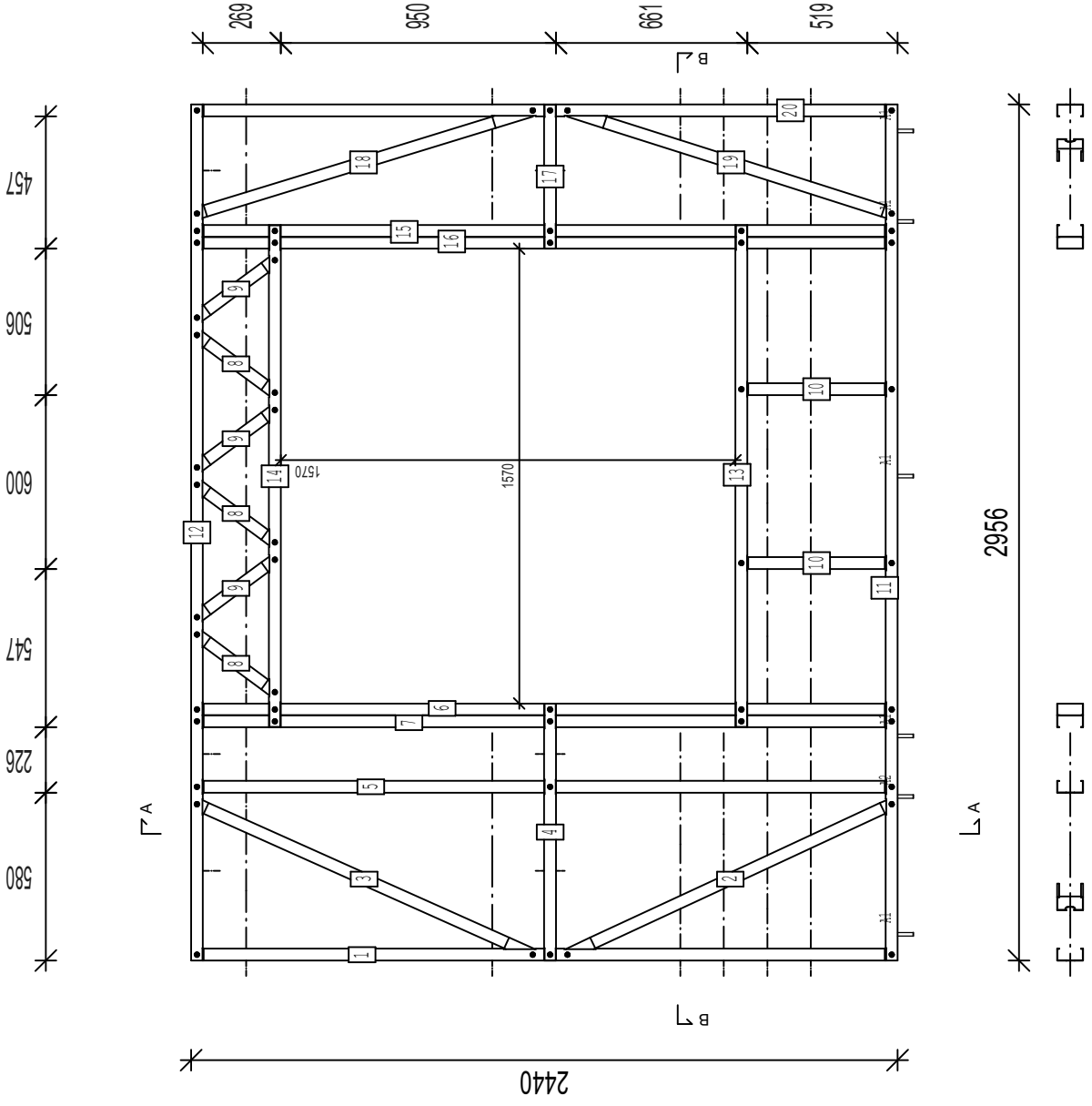
SCREW QTY: 92

PIECE LIST				
LABEL	QTY	MATERIAL	DESCRIPTION	LENGTH
1	1	C88-4-075	STUD	2439
2	1	C88-4-075	STUD	2439
3	1	C88-4-075	DIAGONAL BRACE	1177
4	1	C88-4-075	DIAGONAL BRACE	1212
5	1	C88-4-075	STUD	2439
6	1	C88-4-075	NOGGIN	1279
7	1	C88-4-075	KING STUD	2439
8	1	C88-4-075	KING STUD	2439
9	4	C88-4-075	INTERNAL BRACE	373
10	4	C88-4-075	INTERNAL BRACE	373
11	1	C88-4-075	BOTTOM TRACK	3600
12	1	C88-4-075	TOP TRACK	3600
13	1	C88-4-075	HEADER	2251
14	1	C88-4-075	KING STUD	2439
15	1	C88-4-075	KING STUD	2439
16	1	C88-4-075	NOGGIN	149
17	1	C88-4-075	STUD	2439
TOTAL LENGTH: 35764mm				



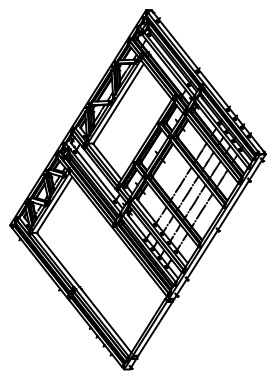
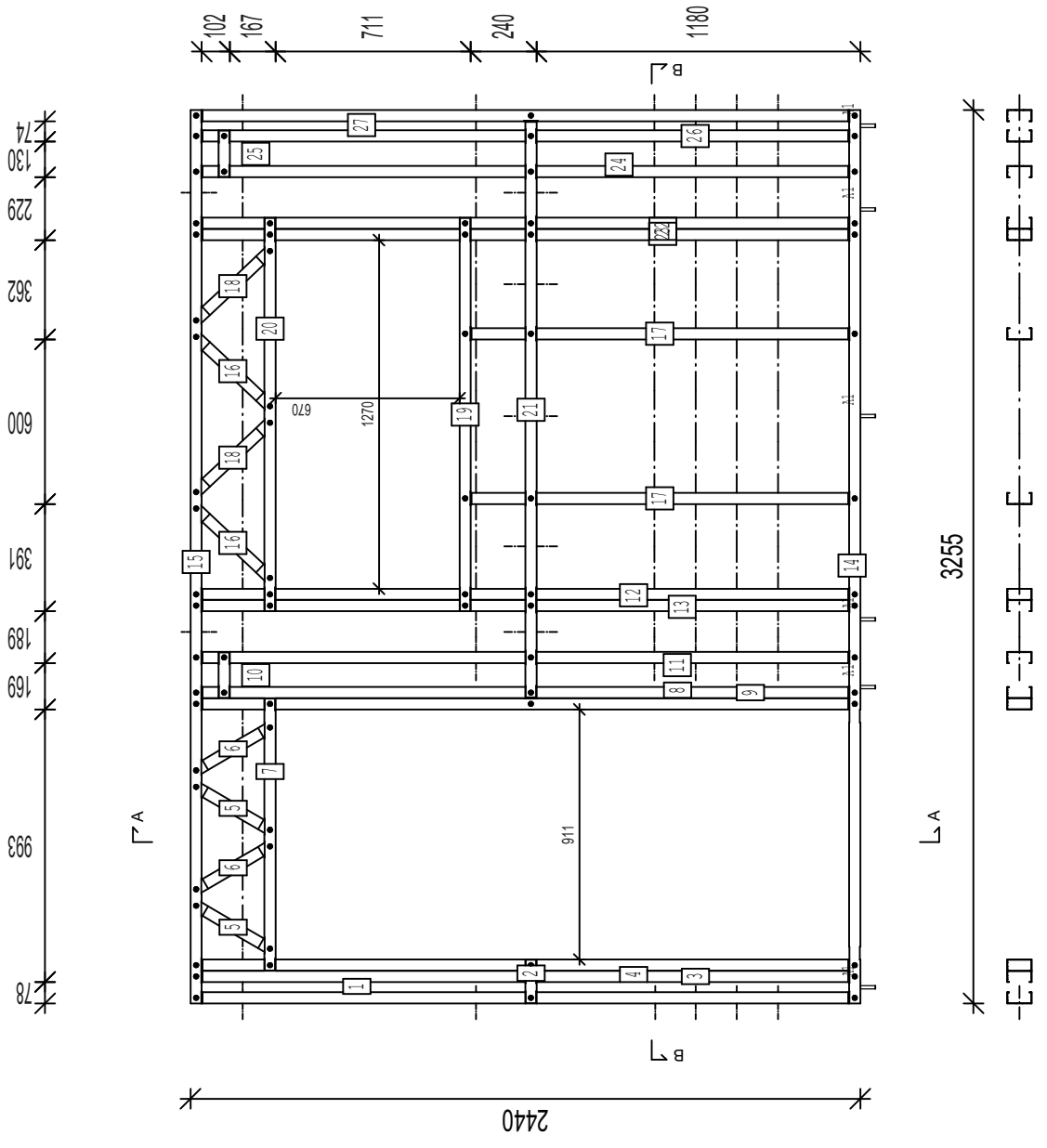
SCREW QTY: 106

PIECE LIST				
LABEL	QTY	MATERIAL	DESCRIPTION	LENGTH
1	1	C88-4-075	STUD	2439
2	1	C88-4-075	DIAGONAL BRACE	1261
3	1	C88-4-075	DIAGONAL BRACE	1297
4	1	C88-4-075	NOGGIN	886
5	1	C88-4-075	STUD	2439
6	1	C88-4-075	KING STUD	2439
7	1	C88-4-075	KING STUD	2439
8	3	C88-4-075	INTERNAL BRACE	387
9	3	C88-4-075	INTERNAL BRACE	387
10	2	C88-4-075	CRIPPLE	559
11	1	C88-4-075	BOTTOM TRACK	2866
12	1	C88-4-075	TOP TRACK	2866
13	1	C88-4-075	SILL	1733
14	1	C88-4-075	HEADER	1733
15	1	C88-4-075	KING STUD	2439
16	1	C88-4-075	KING STUD	2439
17	1	C88-4-075	NOGGIN	487
18	1	C88-4-075	DIAGONAL BRACE	1235
19	1	C88-4-075	DIAGONAL BRACE	1197
20	1	C88-4-075	STUD	2439
TOTAL LENGTH: 8614mm			QTY 26	



SCREW QTY: 150

PIECE LIST				
LABEL	QTY	MATERIAL	DESCRIPTION	LENGTH
1	1	C88-4-075	STUD	2439
2	1	C88-4-075	NOGGIN	189
3	1	C88-4-075	KING STUD	2439
4	1	C88-4-075	KING STUD	2439
5	2	C88-4-075	INTERNAL BRACE	343
6	2	C88-4-075	INTERNAL BRACE	343
7	1	C88-4-075	HEADER	982
8	1	C88-4-075	KING STUD	2439
9	1	C88-4-075	KING STUD	2439
10	1	C88-4-075	TOP TRACK	186
11	1	C88-4-075	STUD	2435
12	1	C88-4-075	KING STUD	2435
13	1	C88-4-075	KING STUD	2435
14	1	C88-4-075	BOTTOM TRACK	3256
15	1	C88-4-075	TOP TRACK	3256
16	2	C88-4-075	INTERNAL BRACE	406
17	2	C88-4-075	CRIPPLE	1457
18	2	C88-4-075	INTERNAL BRACE	406
19	1	C88-4-075	SILL	1433
20	1	C88-4-075	HEADER	1433
21	1	C88-4-075	NOGGIN	2179
22	1	C88-4-075	KING STUD	2435
23	1	C88-4-075	KING STUD	2435
24	1	C88-4-075	BACKER STUD	2435
25	1	C88-4-075	TOP TRACK	189
26	1	C88-4-075	BACKER STUD	2435
27	1	C88-4-075	STUD	2435
QTY 32		TOTAL LENGTH 58626mm		



WALL PANEL
E6

QUANTITY
1

PROJECT
TAFE-MA1006640-M

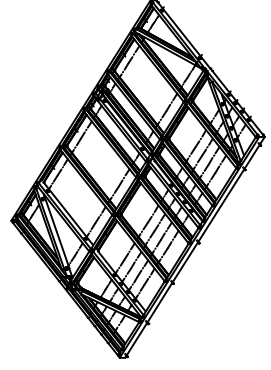
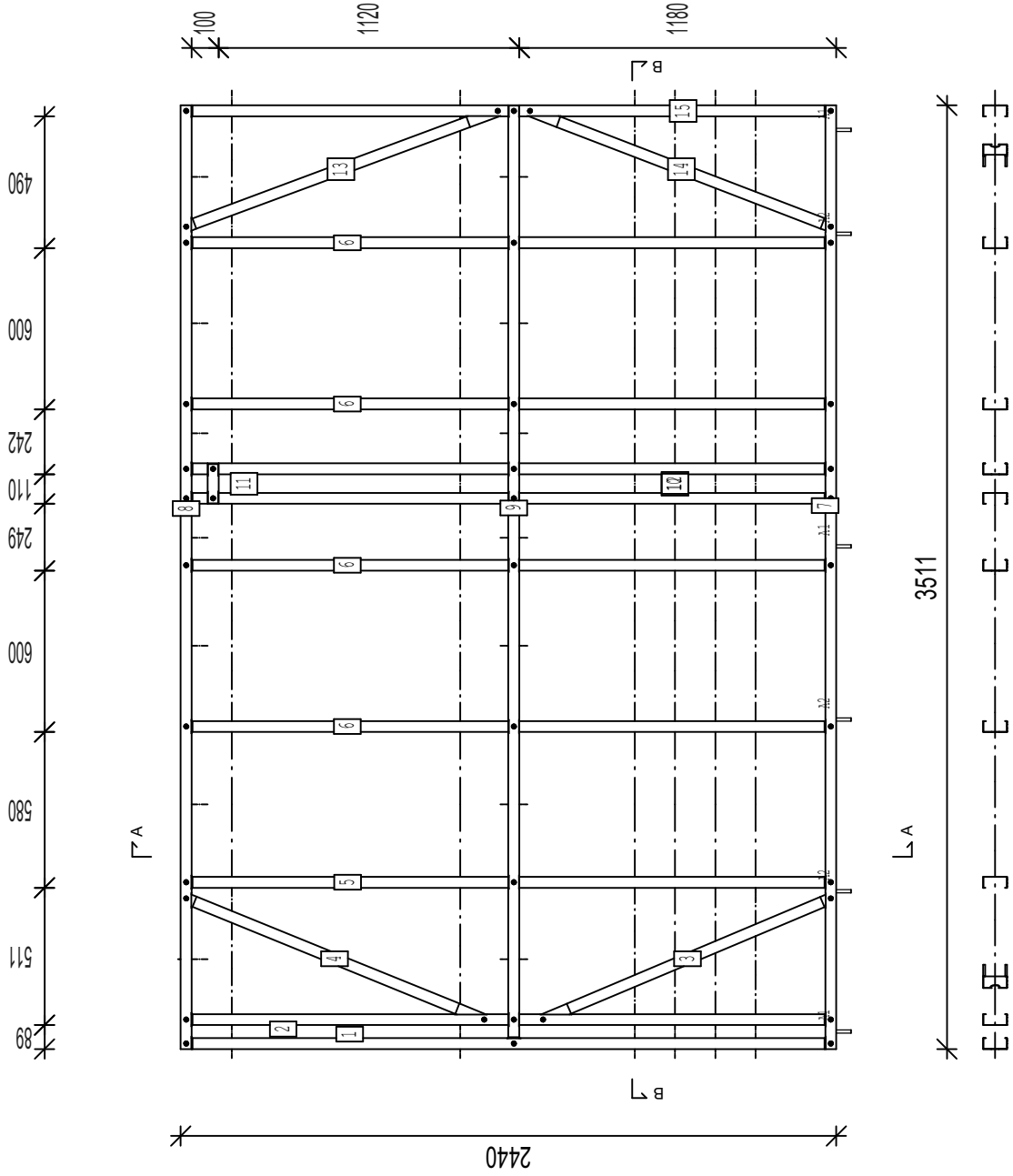
PANEL HEIGHT
2440

FRAME WEIGHT - 44.3kg
PANEL WEIGHT - 44.3kg

Metframe Australia Pty Ltd
07.09.2024 Customer: TAFE NSW

SCREW QTY: 80

PIECE LIST				
LABEL	QTY	MATERIAL	DESCRIPTION	LENGTH
1	1	C88-4-075	STUD	2435
2	1	C88-4-075	STUD	2435
3	1	C88-4-075	DIAGONAL BRACE	1192
4	1	C88-4-075	DIAGONAL BRACE	1227
5	1	C88-4-075	STUD	2435
6	4	C88-4-075	STUD	2439
7	1	C88-4-075	BOTTOM TRACK	3511
8	1	C88-4-075	TOP TRACK	3511
9	1	C88-4-075	NOGGIN	3508
10	1	C88-4-075	BACKER STUD	2439
11	1	C88-4-075	TOP TRACK	146
12	1	C88-4-075	BACKER STUD	2439
13	1	C88-4-075	DIAGONAL BRACE	1261
14	1	C88-4-075	DIAGONAL BRACE	1224
15	1	C88-4-075	STUD	2439
TOTAL LENGTH: 3953mm				



WALL PANEL
E7

QUANTITY
1

PROJECT
TAFE-MA1006640-M

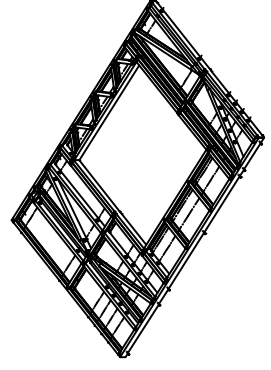
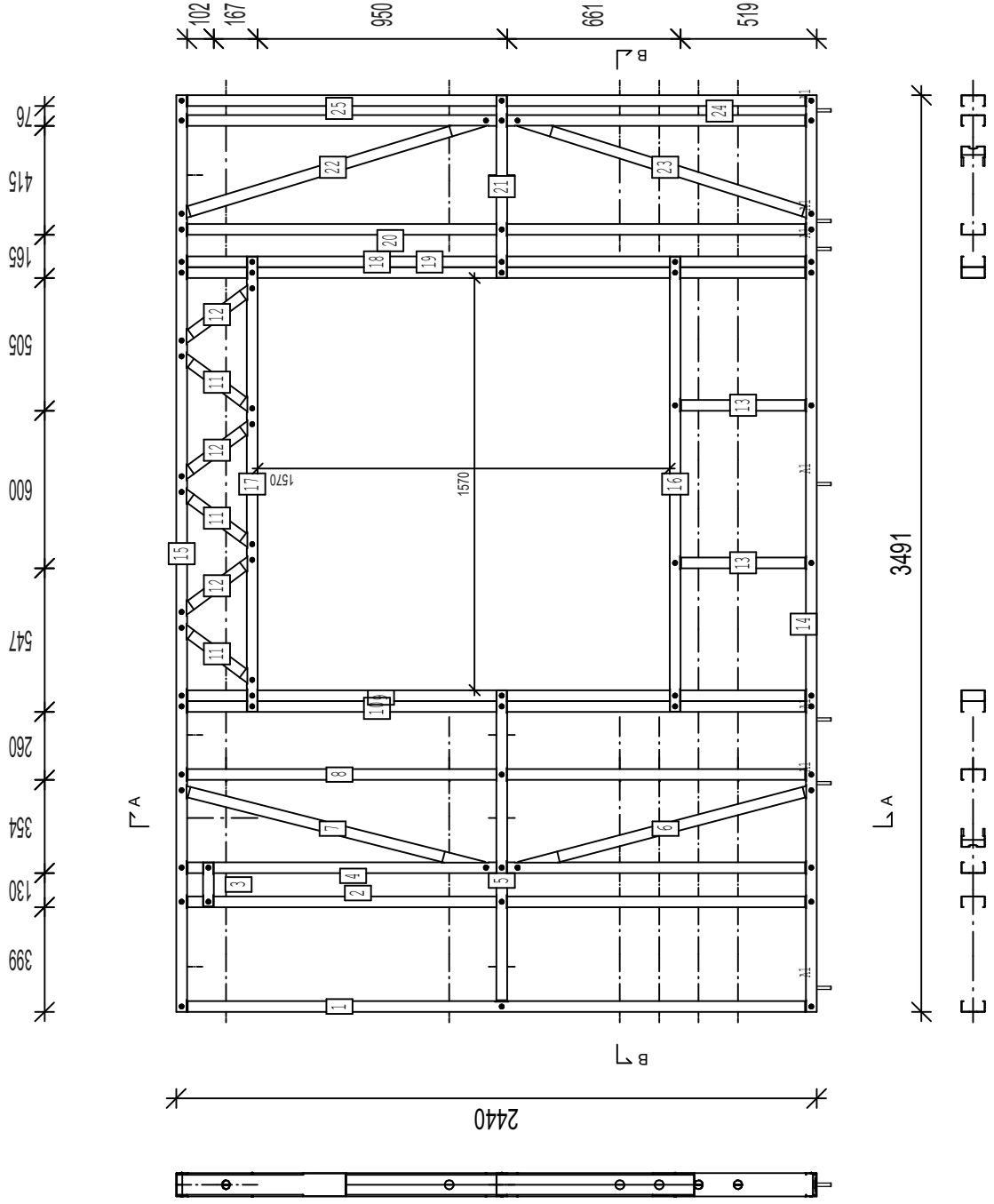
PANEL HEIGHT
2440

FRAME WEIGHT - 52.7kg
PANEL WEIGHT - 52.7kg

MelFrame Australia Pty Ltd
07.09.2024 Customer: TAFE NSW

SCREW QTY: 34

PIECE LIST				
LABEL	QTY	MATERIAL	DESCRIPTION	LENGTH
1	1	C88-4-075	STUD	2435
2	1	C88-4-075	BACKER STUD	2435
3	1	C88-4-075	TOP TRACK	166
4	1	C88-4-075	BACKER STUD	2435
5	1	C88-4-075	NOGGIN	1222
6	1	C88-4-075	DIAGONAL BRACE	1183
7	1	C88-4-075	DIAGONAL BRACE	1221
8	1	C88-4-075	STUD	2435
9	1	C88-4-075	KING STUD	2439
10	1	C88-4-075	KING STUD	2439
11	3	C88-4-075	INTERNAL BRACE	367
12	3	C88-4-075	INTERNAL BRACE	367
13	2	C88-4-075	CRIPPLE	559
14	1	C88-4-075	BOTTOM TRACK	3491
15	1	C88-4-075	TOP TRACK	3491
16	1	C88-4-075	SILL	1733
17	1	C88-4-075	HEADER	1733
18	1	C88-4-075	KING STUD	2439
19	1	C88-4-075	KING STUD	2439
20	1	C88-4-075	STUD	2439
21	1	C88-4-075	NOGGIN	685
22	1	C88-4-075	DIAGONAL BRACE	1238
23	1	C88-4-075	DIAGONAL BRACE	1201
24	1	C88-4-075	STUD	2439
25	1	C88-4-075	STUD	2439
TOTAL LENGTH: 47507mm				



WALL PANEL
E8

QUANTITY
1

PROJECT
TAFE-MA1006640-M

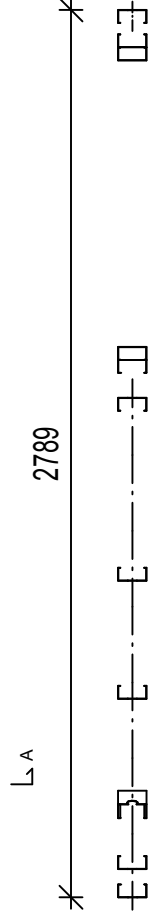
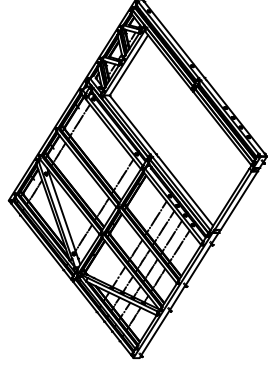
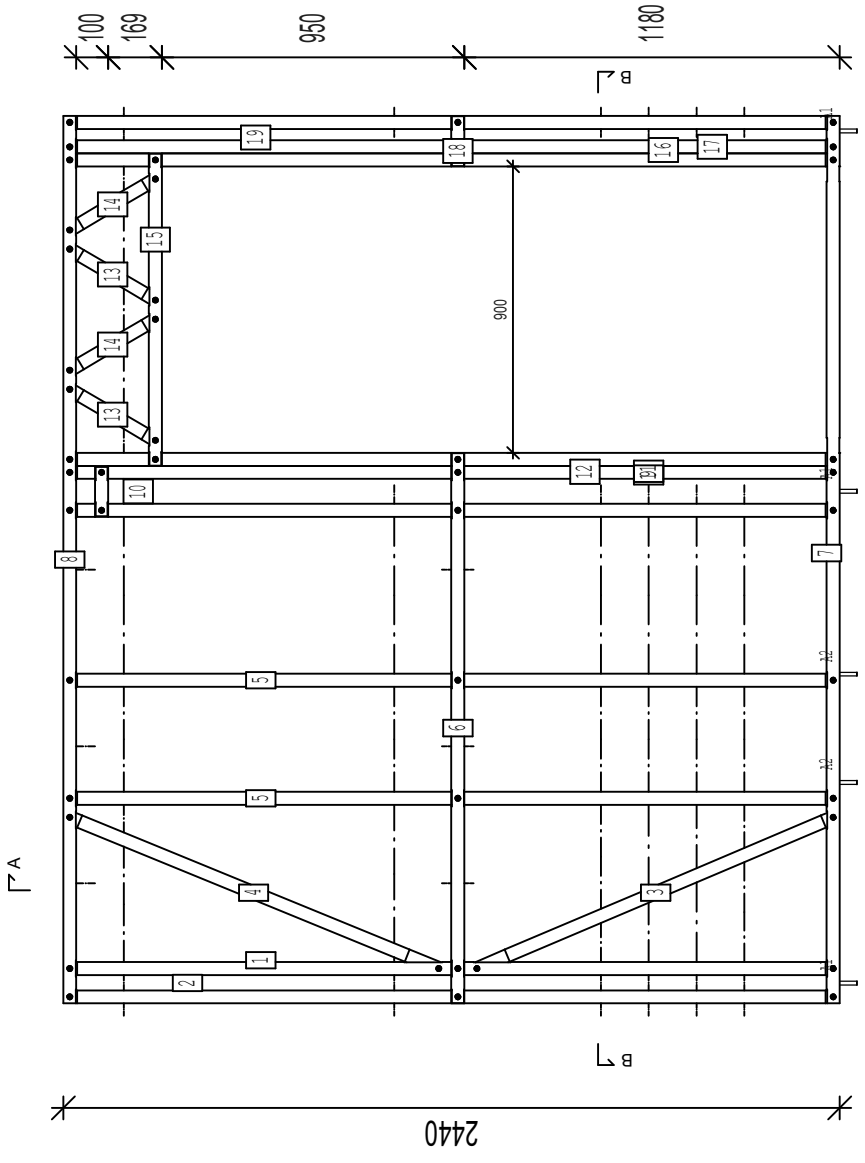
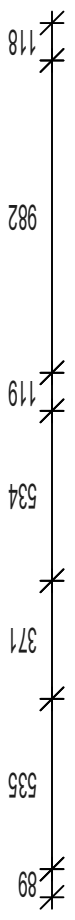
PANEL HEIGHT
2440

FRAME WEIGHT - 41.0kg
PANEL WEIGHT - 41.0kg

MelFrame Australia Pty Ltd
07.09.2024 Customer: TAFE NSW

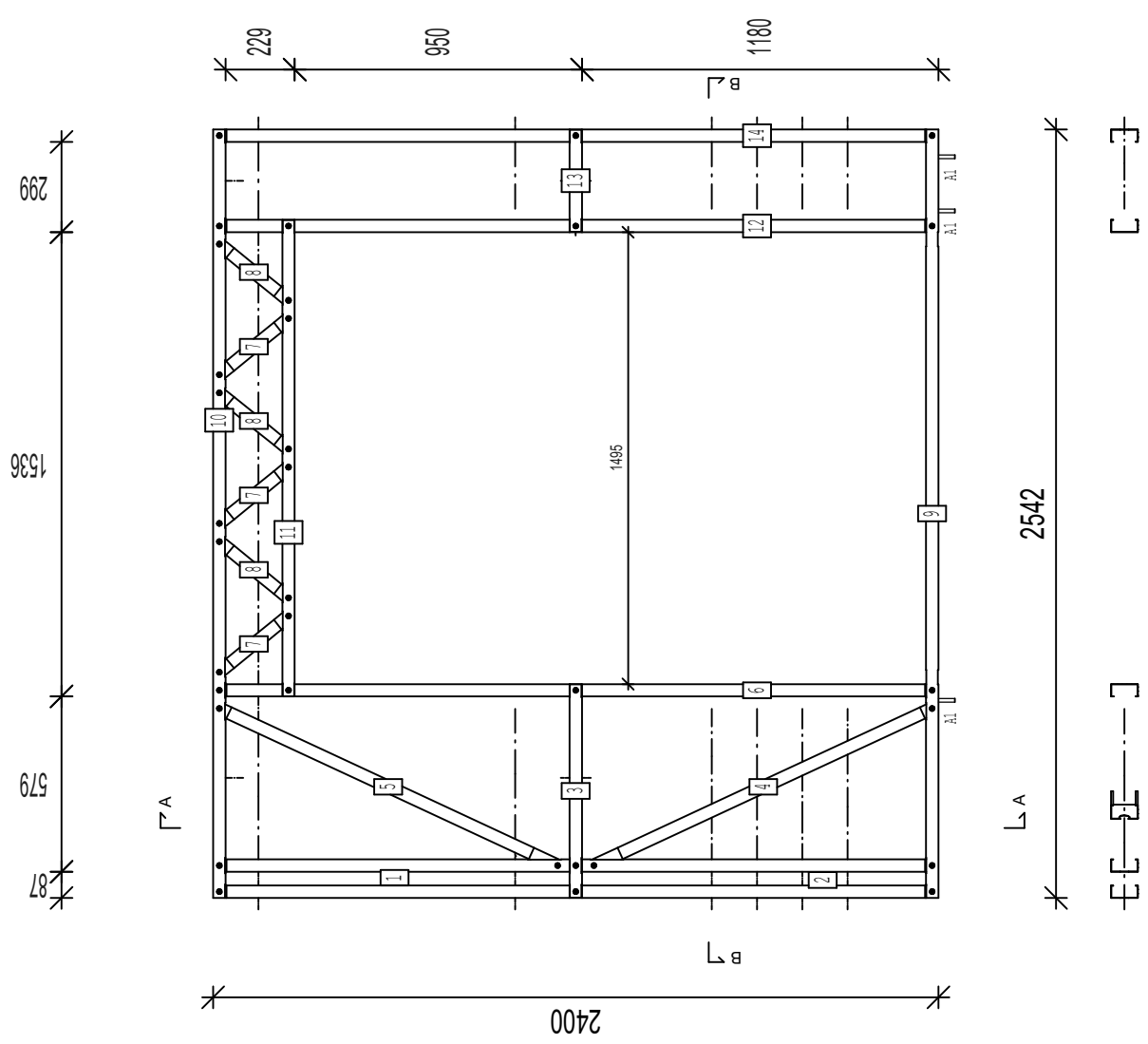
SCREW QTY: 92

PIECE LIST				
LABEL	QTY	MATERIAL	DESCRIPTION	LENGTH
1	1	C88-4-075	STUD	2439
2	1	C88-4-075	STUD	2439
3	1	C88-4-075	DIAGONAL BRACE	1247
4	1	C88-4-075	DIAGONAL BRACE	1283
5	2	C88-4-075	STUD	2439
6	1	C88-4-075	NOGGIN	1729
7	1	C88-4-075	BOTTOM TRACK	2789
8	1	C88-4-075	TOP TRACK	2789
9	1	C88-4-075	BACKER STUD	2439
10	1	C88-4-075	TOP TRACK	155
11	1	C88-4-075	KING STUD	2439
12	1	C88-4-075	KING STUD	2439
13	2	C88-4-075	INTERNAL BRACE	345
14	2	C88-4-075	INTERNAL BRACE	345
15	1	C88-4-075	HEADER	981
16	1	C88-4-075	KING STUD	2439
17	1	C88-4-075	KING STUD	2439
18	1	C88-4-075	NOGGIN	158
19	1	C88-4-075	STUD	2439
TOTAL LENGTH: 38901mm				



SCREW QTY: 66

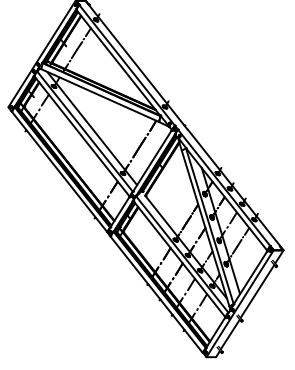
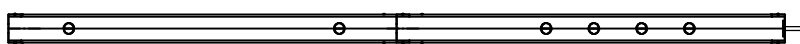
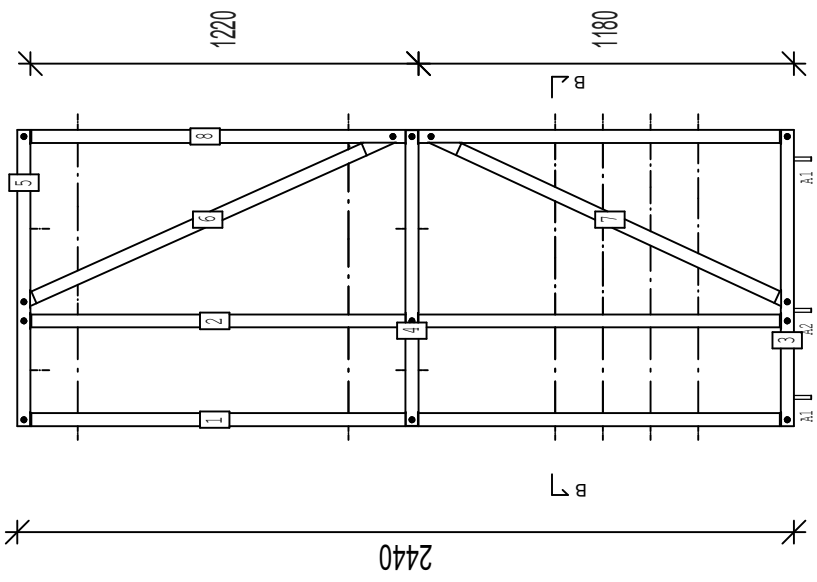
PIECE LIST				
LABEL	QTY	MATERIAL	DESCRIPTION	LENGTH
1	1	C88-4-075	STUD	2389
2	1	C88-4-075	STUD	2389
3	1	C88-4-075	NOGGIN	706
4	1	C88-4-075	DIAGONAL BRACE	1264
5	1	C88-4-075	DIAGONAL BRACE	1264
6	1	C88-4-075	KING STUD	2389
7	3	C88-4-075	INTERNAL BRACE	328
8	3	C88-4-075	INTERNAL BRACE	328
9	1	C88-4-075	BOTTOM TRACK	2542
10	1	C88-4-075	TOP TRACK	2542
11	1	C88-4-075	HEADER	1576
12	1	C88-4-075	KING STUD	2389
13	1	C88-4-075	NOGGIN	339
14	1	C88-4-075	STUD	2389
QTY: 66	TOTAL LENGTH: 4198mm			



WALL PANEL 12 QUANTITY 1 PROJECT TAFE-MA1006640-M PANEL HEIGHT 2440 FRAME WEIGHT - 14.1kg PANEL WEIGHT - 14.1kg Metframe Australia Pty Ltd 07.09.2024 Customer: TAFE NSW

SCREW QTY: 26

PIECE LIST				
LABEL	QTY	MATERIAL	DESCRIPTION	LENGTH
1	1	C88-4-075	STUD	2439
2	1	C88-4-075	STUD	2439
3	1	C88-4-075	BOTTOM TRACK	931
4	1	C88-4-075	NOGGIN	930
5	1	C88-4-075	TOP TRACK	931
6	1	C88-4-075	DIAGONAL BRACE	1297
7	1	C88-4-075	DIAGONAL BRACE	1261
8	1	C88-4-075	STUD	2439
QTY 8	TOTAL LENGTH 12667mm			



WALL PANEL
13

QUANTITY
1

PROJECT
TAFE-MA1006640-M

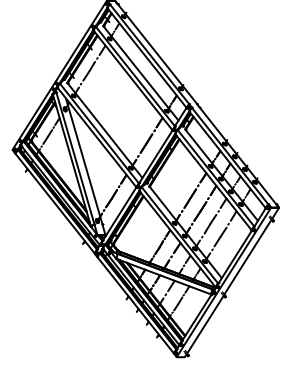
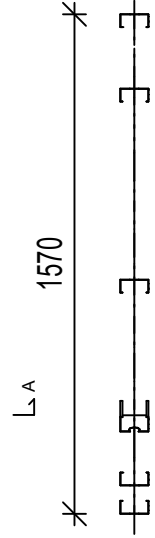
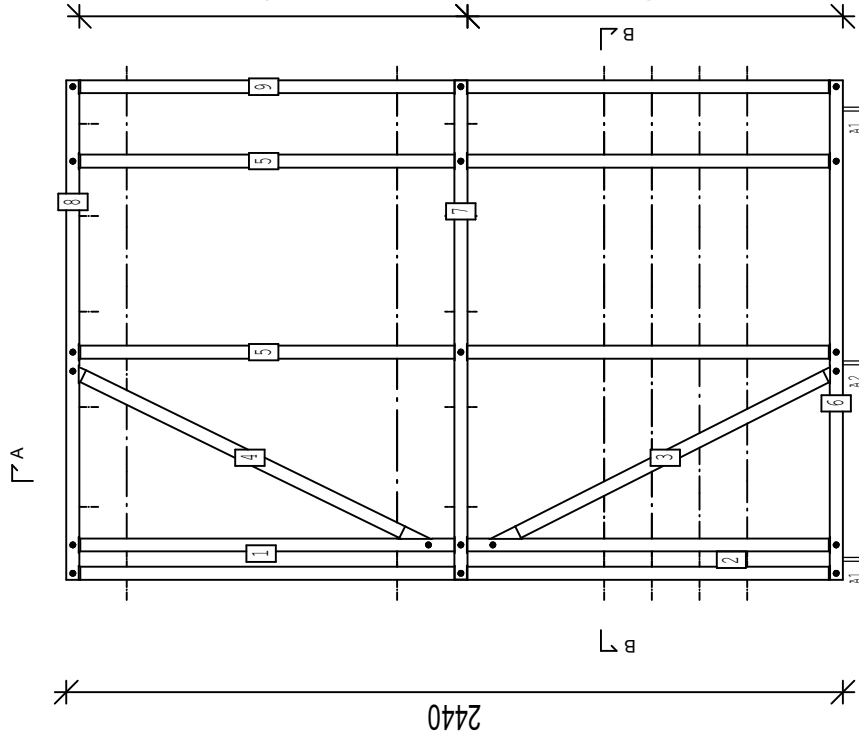
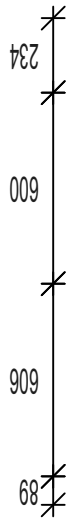
PANEL HEIGHT
2440

FRAME WEIGHT - 21.5kg
PANEL WEIGHT - 21.5kg

Meframe Australia Pty Ltd
07.09.2024 Customer: TAFE NSW

SCREW QTY: 38

PIECE LIST				
LABEL	QTY	MATERIAL	DESCRIPTION	LENGTH
1	1	C88-4-075	STUD	2439
2	1	C88-4-075	STUD	2439
3	1	C88-4-075	DIAGONAL BRACE	1236
4	1	C88-4-075	DIAGONAL BRACE	1271
5	2	C88-4-075	STUD	2439
6	1	C88-4-075	BOTTOM TRACK	1570
7	1	C88-4-075	NOGGIN	1569
8	1	C88-4-075	TOP TRACK	1570
9	1	C88-4-075	STUD	2439
QTY 10	TOTAL LENGTH 19411mm			



WALL PANEL
14

QUANTITY
1

PROJECT
TAFE-MA1006640-M

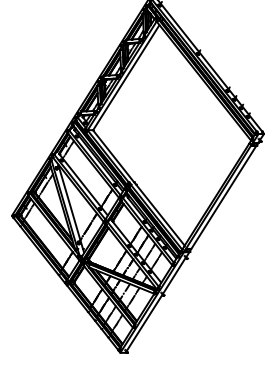
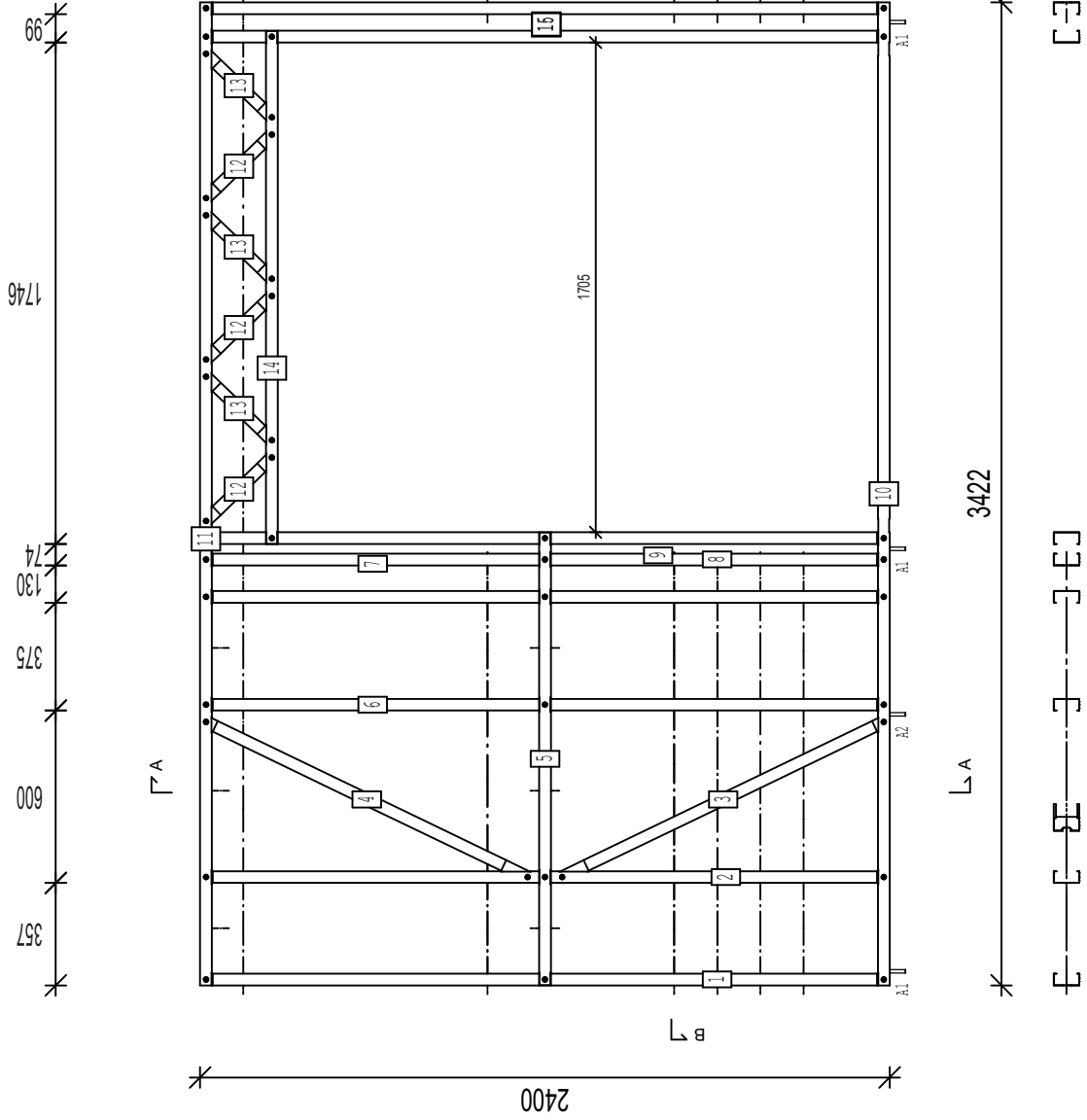
PANEL HEIGHT
2400

FRAME WEIGHT - 37.8kg
PANEL WEIGHT - 37.8kg

Meframe Australia Pty Ltd
07.09.2024 Customer: TAFE NSW

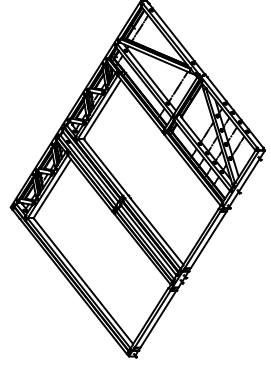
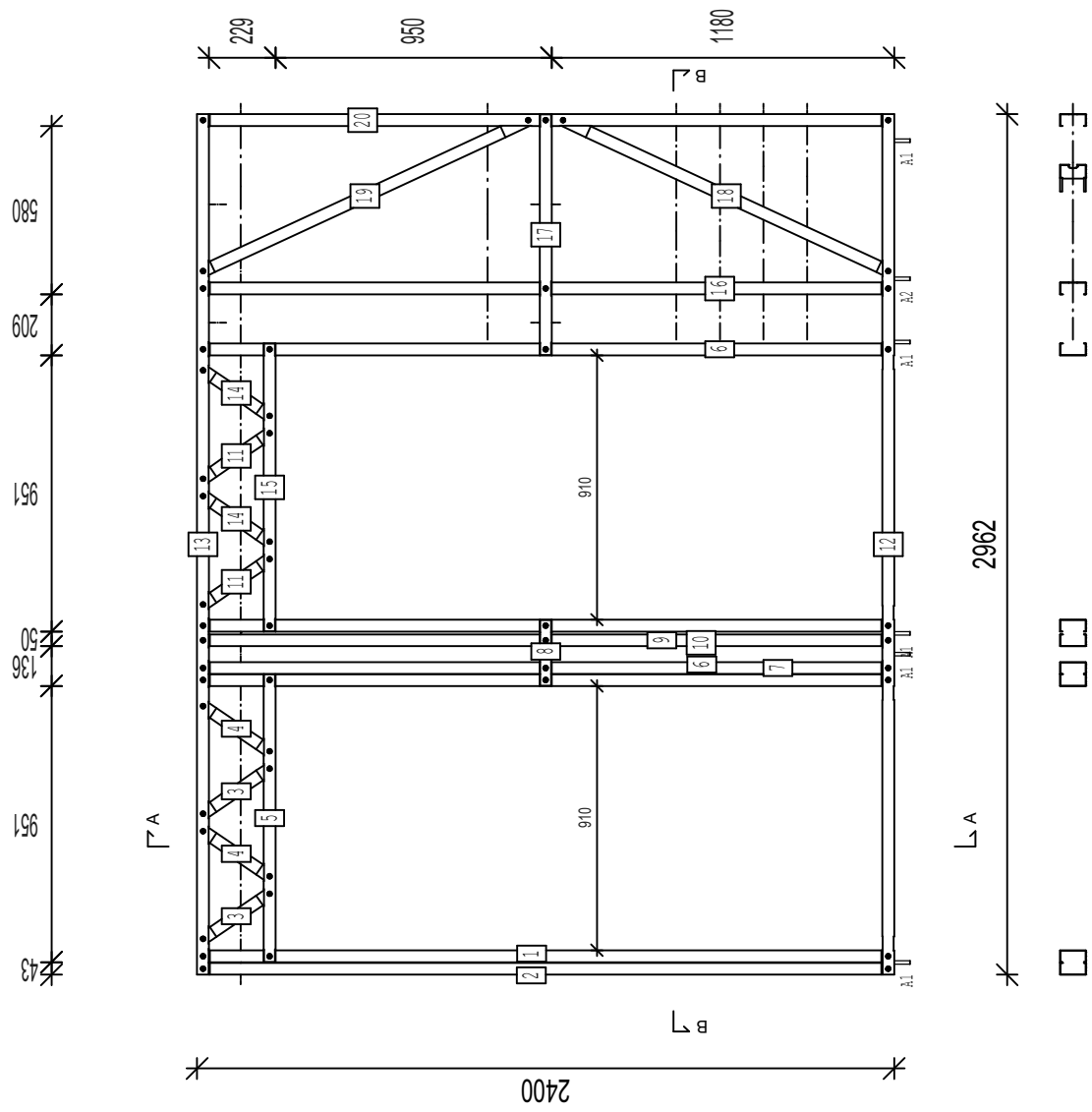
SCREW QTY: 80

PIECE LIST				
LABEL	QTY	MATERIAL	DESCRIPTION	LENGTH
1	1	C88-4-075	STUD	2389
2	1	C88-4-075	STUD	2389
3	1	C88-4-075	DIAGONAL BRACE	1273
4	1	C88-4-075	DIAGONAL BRACE	1273
5	1	C88-4-075	NOGGIN	1576
6	1	C88-4-075	STUD	2389
7	1	C88-4-075	BACKER STUD	2389
8	1	C88-4-075	BACKER STUD	2389
9	1	C88-4-075	KING STUD	2389
10	1	C88-4-075	BOTTOM TRACK	3422
11	1	C88-4-075	TOP TRACK	3422
12	3	C88-4-075	INTERNAL BRACE	352
13	3	C88-4-075	INTERNAL BRACE	352
14	1	C88-4-075	HEADER	1786
15	1	C88-4-075	KING STUD	2389
16	1	C88-4-075	STUD	2389
QTY 20			TOTAL LENGTH 34656mm	



SCREW QTY: 98

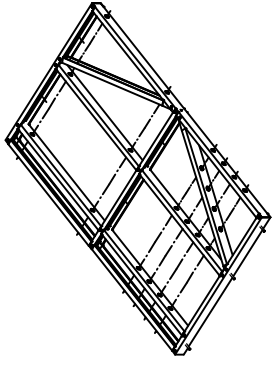
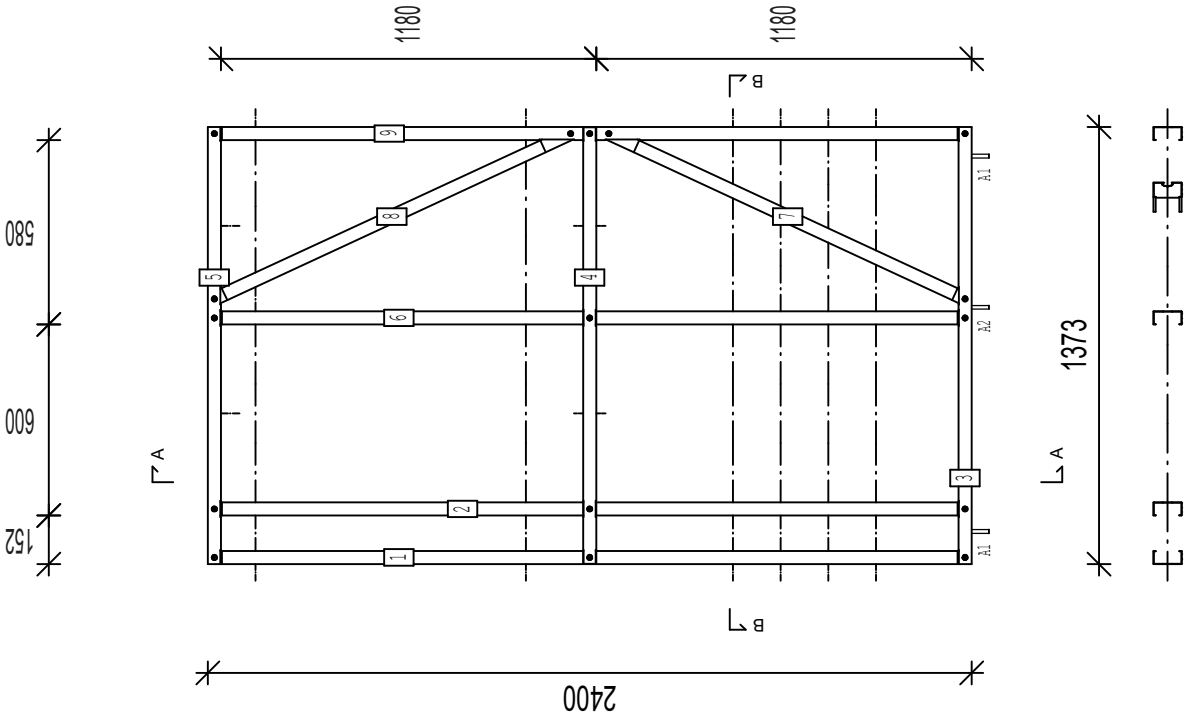
PIECE LIST				
LABEL	QTY	MATERIAL	DESCRIPTION	LENGTH
1	1	C88-4-075	STUD	2399
2	1	C88-4-075	KING STUD	2399
3	2	C88-4-075	INTERNAL BRACE	309
4	2	C88-4-075	INTERNAL BRACE	309
5	1	C88-4-075	HEADER	981
6	2	C88-4-075	KING STUD	2399
7	1	C88-4-075	STUD	2399
8	1	C88-4-075	NOGGIN	227
9	1	C88-4-075	STUD	2399
10	1	C88-4-075	KING STUD	2399
11	2	C88-4-075	INTERNAL BRACE	309
12	1	C88-4-075	BOTTOM TRACK	2362
13	1	C88-4-075	TOP TRACK	2362
14	2	C88-4-075	INTERNAL BRACE	309
15	1	C88-4-075	HEADER	981
16	1	C88-4-075	STUD	2399
17	1	C88-4-075	NOGGIN	828
18	1	C88-4-075	DIAGONAL BRACE	1261
19	1	C88-4-075	DIAGONAL BRACE	1261
20	1	C88-4-075	STUD	2399
TOTAL LENGTH: 35546mm			QTY: 26	



WALL PANEL 16 QUANTITY 1 PROJECT TAFE-MA1006640-M PANEL HEIGHT 2400 FRAME WEIGHT - 18.0kg PANEL WEIGHT - 18.0kg Metframe Australia Pty Ltd 07.09.2024 Customer: TAFE NSW

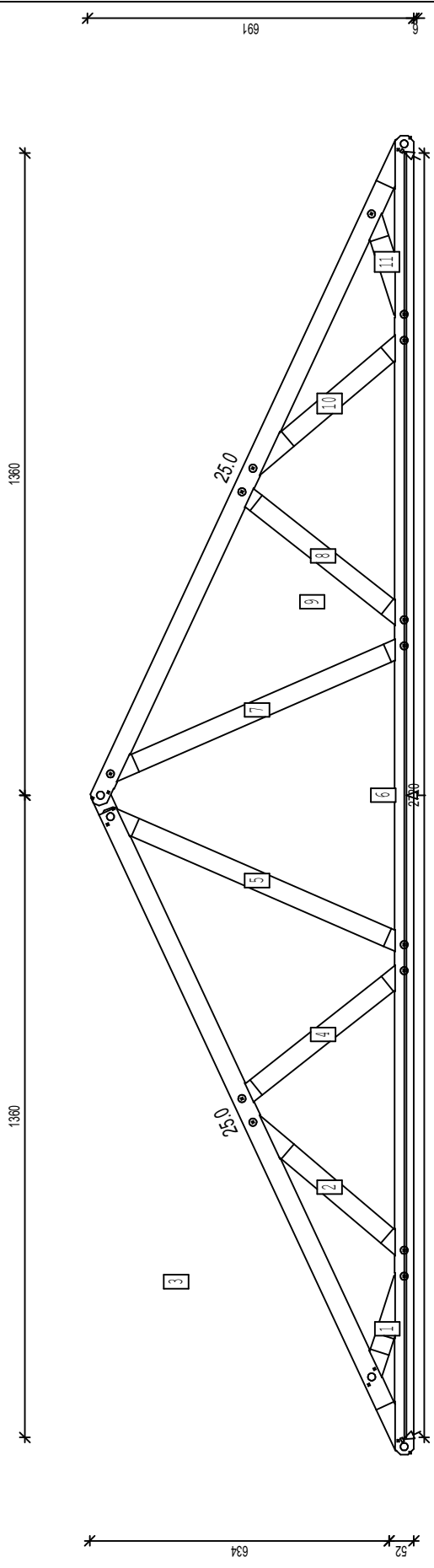
SCREW QTY: 32

PIECE LIST				
LABEL	QTY	MATERIAL	DESCRIPTION	LENGTH
1	1	C88-4-075	STUD	2389
2	1	C88-4-075	STUD	2389
3	1	C88-4-075	BOTTOM TRACK	1373
4	1	C88-4-075	NOGGIN	1372
5	1	C88-4-075	TOP TRACK	1373
6	1	C88-4-075	STUD	2389
7	1	C88-4-075	DIAGONAL BRACE	1261
8	1	C88-4-075	DIAGONAL BRACE	1261
9	1	C88-4-075	STUD	2389
QTY 9	TOTAL LENGTH 18238mm			



Truss: T1 Quantity: 1 PROJECT: TAFE-MA1006640-M PANEL HEIGHT: 686 PANEL WEIGHT: 10.7kg Metframe Australia Pty Ltd
 Spacing: 600 07.09.2024 Customer: TAFE NSW

SCHEM. QTY: 48

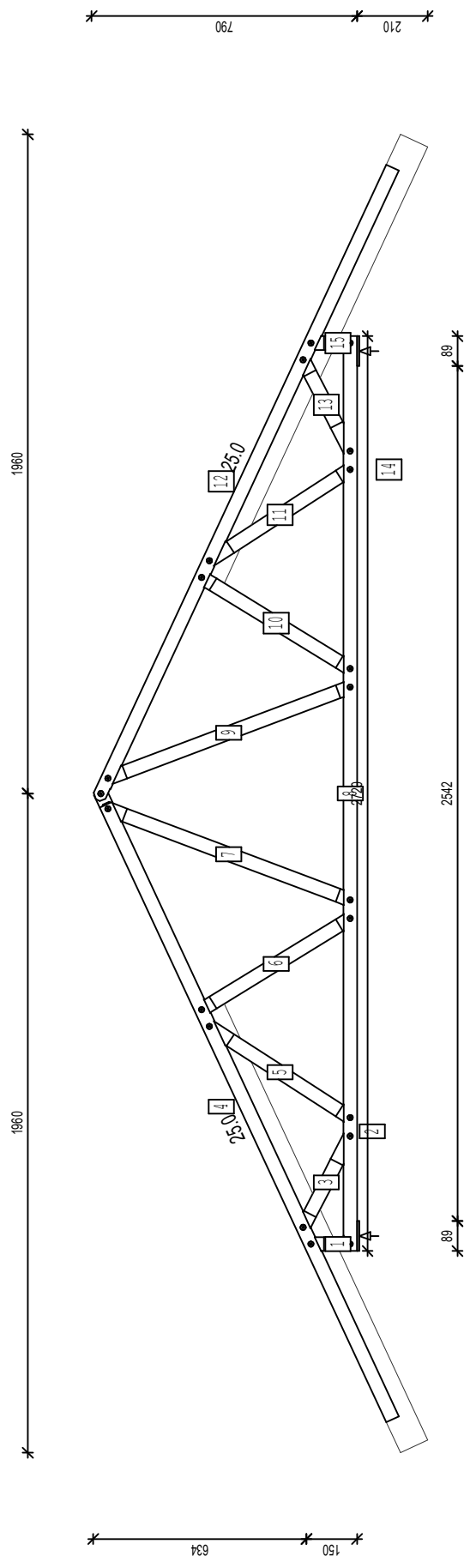


PIECE LIST

LABEL	QTY	MATERIAL	DESCRIPTION	LENGTH
1	1	C89-41-0.75	WEB	250
2	1	C89-41-0.75	WEB	449
3	1	C89-41-0.75	TOP CHORD	1553
4	1	C89-41-0.75	WEB	472
5	1	C89-41-0.75	WEB	713
6	1	C89-41-0.75	BOTTOM CHORD	2793
7	1	C89-41-0.75	WEB	713
8	1	C89-41-0.75	WEB	472
9	1	C89-41-0.75	TOP CHORD	1556
10	1	C89-41-0.75	WEB	449
11	1	C89-41-0.75	WEB	250
QTY 11			TOTAL LENGTH: 9670mm	

Truss: T2 Quantity: 1 PROJECT: TAFE-MA1006640-M PANEL HEIGHT: 994 PANEL WEIGHT: 16.1kg Metframe Australia Pty Ltd
 Spacing: 600 07.09.2024 Customer: TAFE NSW

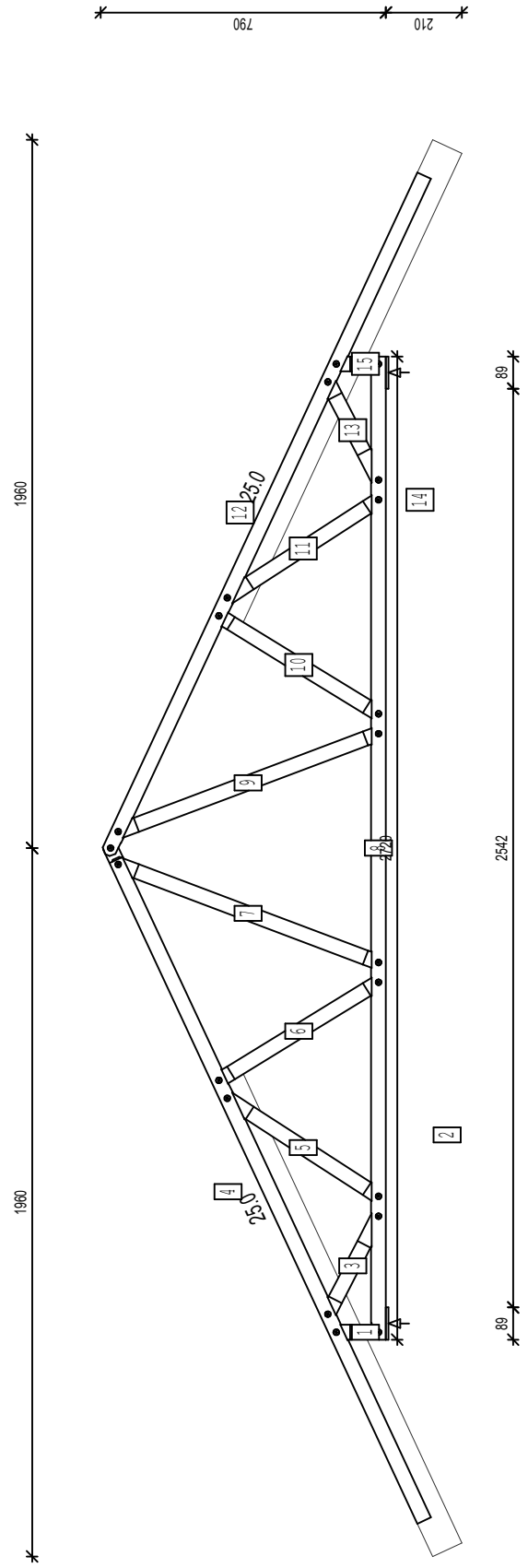
SCHEM QTY: 66



PIECE LIST				
LABEL	QTY	MATERIAL	DESCRIPTION	LENGTH
1	1	C89-41-0.75	WEB	151
2	1	C89-41-0.75	SIDE REINFORCE	1444
3	1	C89-41-0.75	WEB	336
4	1	C89-41-0.75	TOP CHORD	2071
5	1	C89-41-0.75	WEB	530
6	1	C89-41-0.75	WEB	551
7	1	C89-41-0.75	WEB	805
8	1	C89-41-0.75	BOTTOM CHORD	2720
9	1	C89-41-0.75	WEB	805
10	1	C89-41-0.75	WEB	551
11	1	C89-41-0.75	WEB	530
12	1	C89-41-0.75	TOP CHORD	2074
13	1	C89-41-0.75	WEB	336
14	1	C89-41-0.75	SIDE REINFORCE	1444
15	1	C89-41-0.75	WEB	151
TOTAL LENGTH				14496mm

Truss: T3 Quantity: 1 PROJECT TAFE-MA1006640-M PANEL HEIGHT 994 PANEL WEIGHT 16.1kg Metframe Australia Pty Ltd
 Spacing: 600 07.09.2024 Customer: TAFE NSW

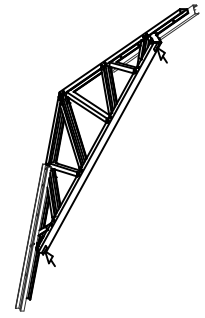
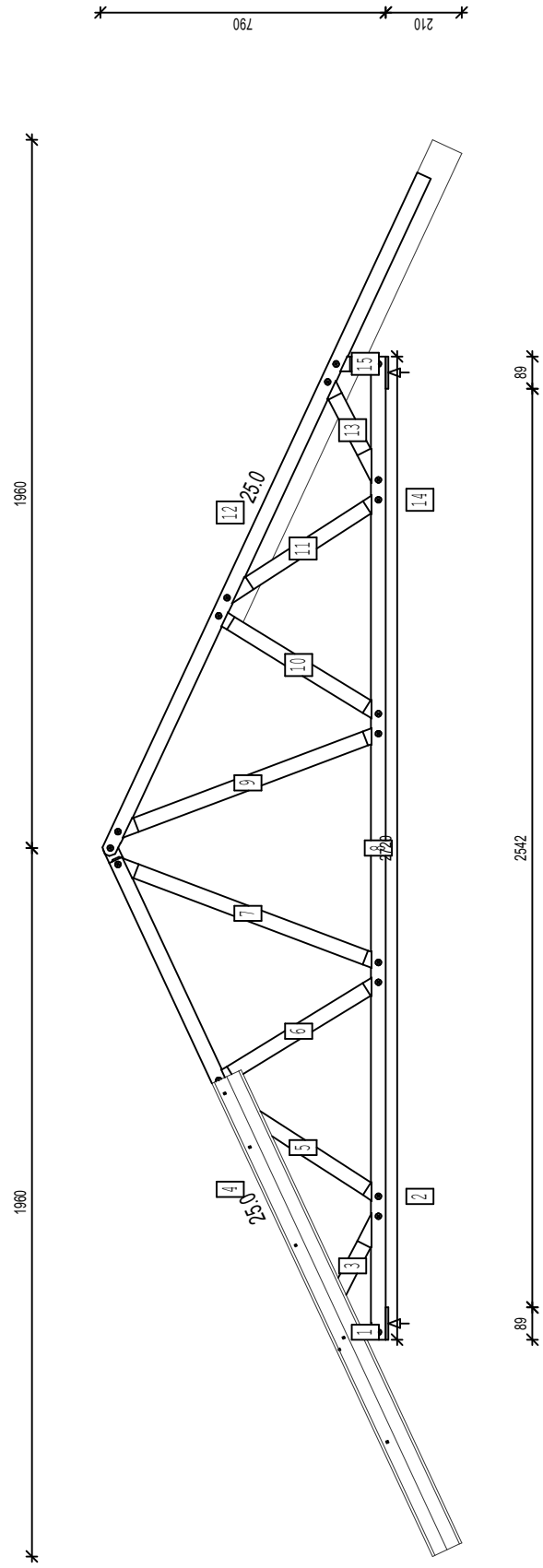
SCHEM. QTY: 66



PIECE LIST	LABEL	QTY	MATERIAL	DESCRIPTION	LENGTH
	1	1	C89-41-0.75	WEB	151
	2	1	C89-41-0.75	SIDE REINFORCE	1444
	3	1	C89-41-0.75	WEB	336
	4	1	C89-41-0.75	TOP CHORD	2071
	5	1	C89-41-0.75	WEB	530
	6	1	C89-41-0.75	WEB	551
	7	1	C89-41-0.75	WEB	805
	8	1	C89-41-0.75	BOTTOM CHORD	2720
	9	1	C89-41-0.75	WEB	805
	10	1	C89-41-0.75	WEB	551
	11	1	C89-41-0.75	WEB	530
	12	1	C89-41-0.75	TOP CHORD	2074
	13	1	C89-41-0.75	WEB	336
	14	1	C89-41-0.75	SIDE REINFORCE	1444
	15	1	C89-41-0.75	WEB	151
	QTY 15			TOTAL LENGTH	14496mm

Truss: T4 Quantity: 1 PROJECT: TAFE-MA1006640-M PANEL HEIGHT: 994 PANEL WEIGHT: 16.1kg Melframe Australia Pty Ltd 07.09.2024 Customer: TAFE NSW
 Spacing: 600

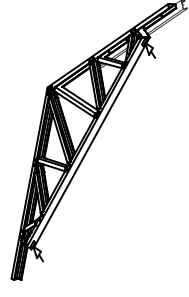
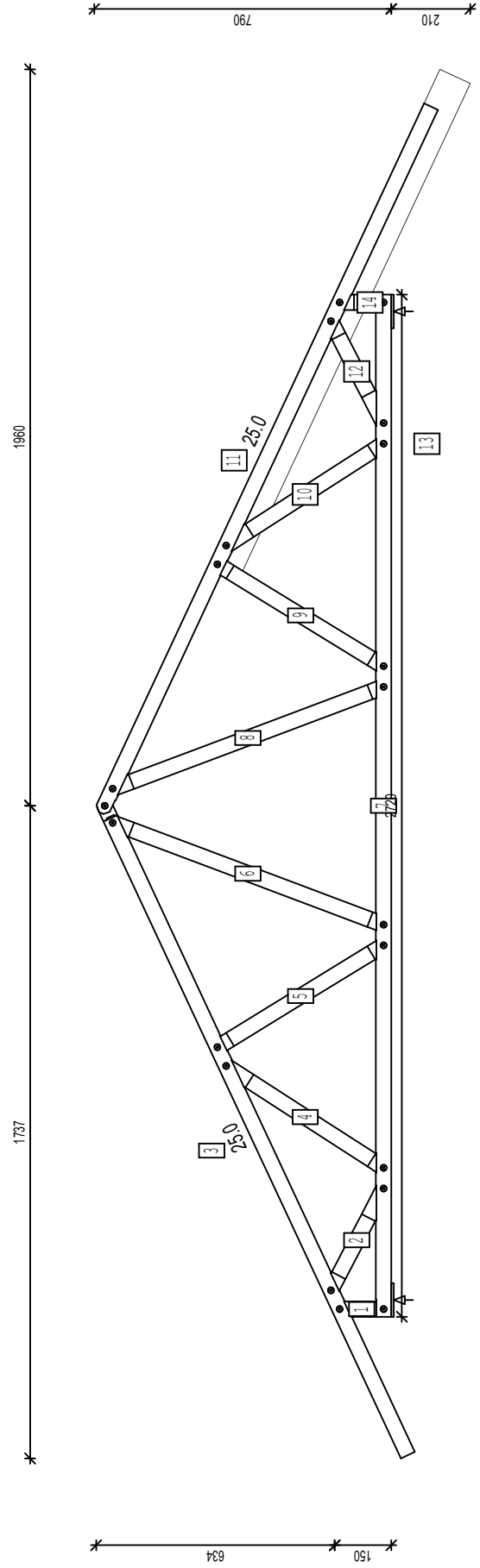
SCHEM. QTY: 66



PIECE LIST				
LABEL	QTY	MATERIAL	DESCRIPTION	LENGTH
1	1	C89-41-0.75	WEB	151
2	1	C89-41-0.75	SIDE REINFORCE	1444
3	1	C89-41-0.75	WEB	336
4	1	C89-41-0.75	TOP CHORD	2071
5	1	C89-41-0.75	WEB	530
6	1	C89-41-0.75	WEB	551
7	1	C89-41-0.75	WEB	805
8	1	C89-41-0.75	BOTTOM CHORD	2720
9	1	C89-41-0.75	WEB	805
10	1	C89-41-0.75	WEB	551
11	1	C89-41-0.75	WEB	530
12	1	C89-41-0.75	TOP CHORD	2074
13	1	C89-41-0.75	WEB	336
14	1	C89-41-0.75	SIDE REINFORCE	1444
15	1	C89-41-0.75	WEB	151
TOTAL LENGTH				14496mm

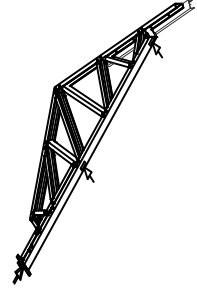
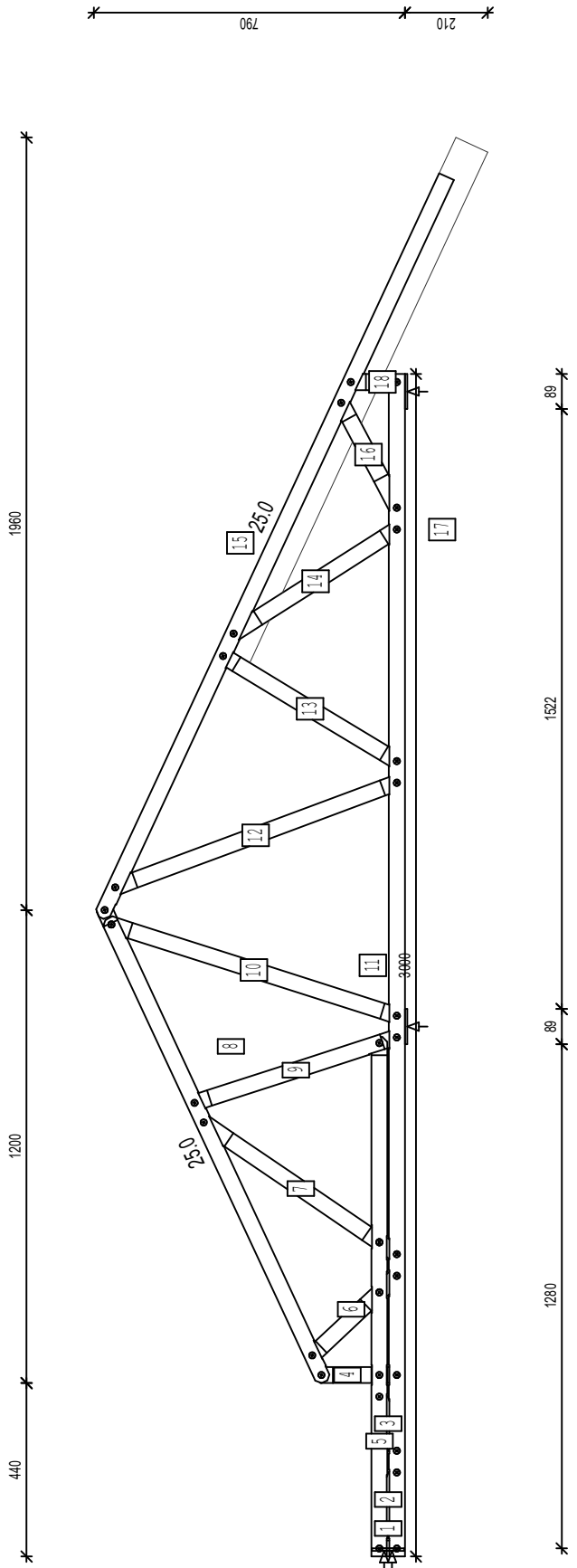
Truss: T5 Quantity: 1 PROJECT TAFE-MA1006640-M PANEL HEIGHT 994 PANEL WEIGHT 14.3kg Metframe Australia Pty Ltd 07.09.2024 Customer: TAFE NSW
 Spacing: 600

SCHEM. QTY: 54



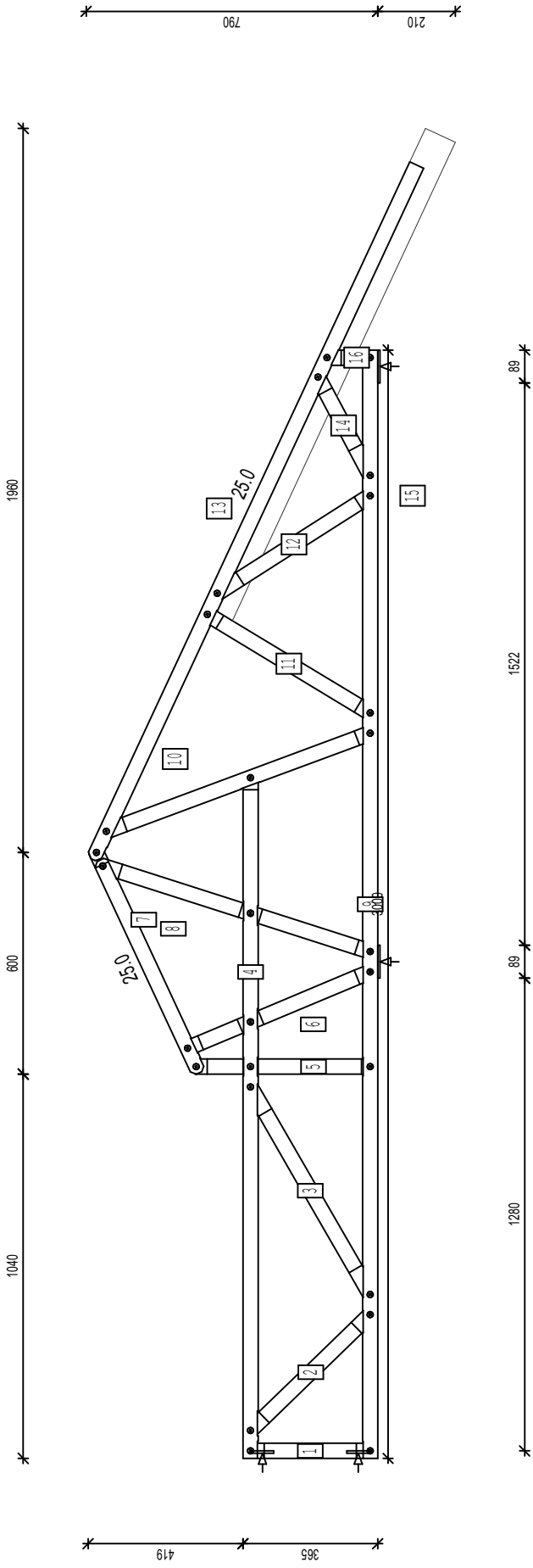
PIECE LIST		
LABEL	QTY MATERIAL	DESCRIPTION LENGTH
1	1	C89-41-0.75 WEB 151
2	1	C89-41-0.75 WEB 336
3	1	C89-41-0.75 TOP CHORD 1925
4	1	C89-41-0.75 WEB 530
5	1	C89-41-0.75 WEB 551
6	1	C89-41-0.75 WEB 805
7	1	C89-41-0.75 BOTTOM CHORD 2720
8	1	C89-41-0.75 WEB 805
9	1	C89-41-0.75 WEB 551
10	1	C89-41-0.75 WEB 530
11	1	C89-41-0.75 TOP CHORD 2074
12	1	C89-41-0.75 WEB 336
13	1	C89-41-0.75 SIDE REINFORCEMENT 1444
14	1	C89-41-0.75 WEB 151
QTY 14		TOTAL LENGTH 12916mm

SCHEM. QTY.: 74



PIECE LIST	QTY	MATERIAL	DESCRIPTION	LENGTH
1	1	C89-41-0.75	WEB	80
2	1	C89-41-0.75	WEB	161
3	1	C89-41-0.75	WEB	161
4	1	C89-41-0.75	WEB	223
5	1	C89-41-0.75	WEB	325
6	1	C89-41-0.75	TOP CHORD	1318
7	1	C89-41-0.75	WEB	624
8	1	C89-41-0.75	TOP CHORD	1339
9	1	C89-41-0.75	WEB	572
10	1	C89-41-0.75	WEB	795
11	1	C89-41-0.75	BOTTOM CHORD	3000
12	1	C89-41-0.75	WEB	197
13	1	C89-41-0.75	WEB	548
14	1	C89-41-0.75	WEB	523
15	1	C89-41-0.75	TOP CHORD	2074
16	1	C89-41-0.75	WEB	332
17	1	C89-41-0.75	SIDE REINFORCE	1442
18	1	C89-41-0.75	WEB	151
QTY. 18			TOTAL LENGTH 14465mm	

SCHEM. QTY: 66

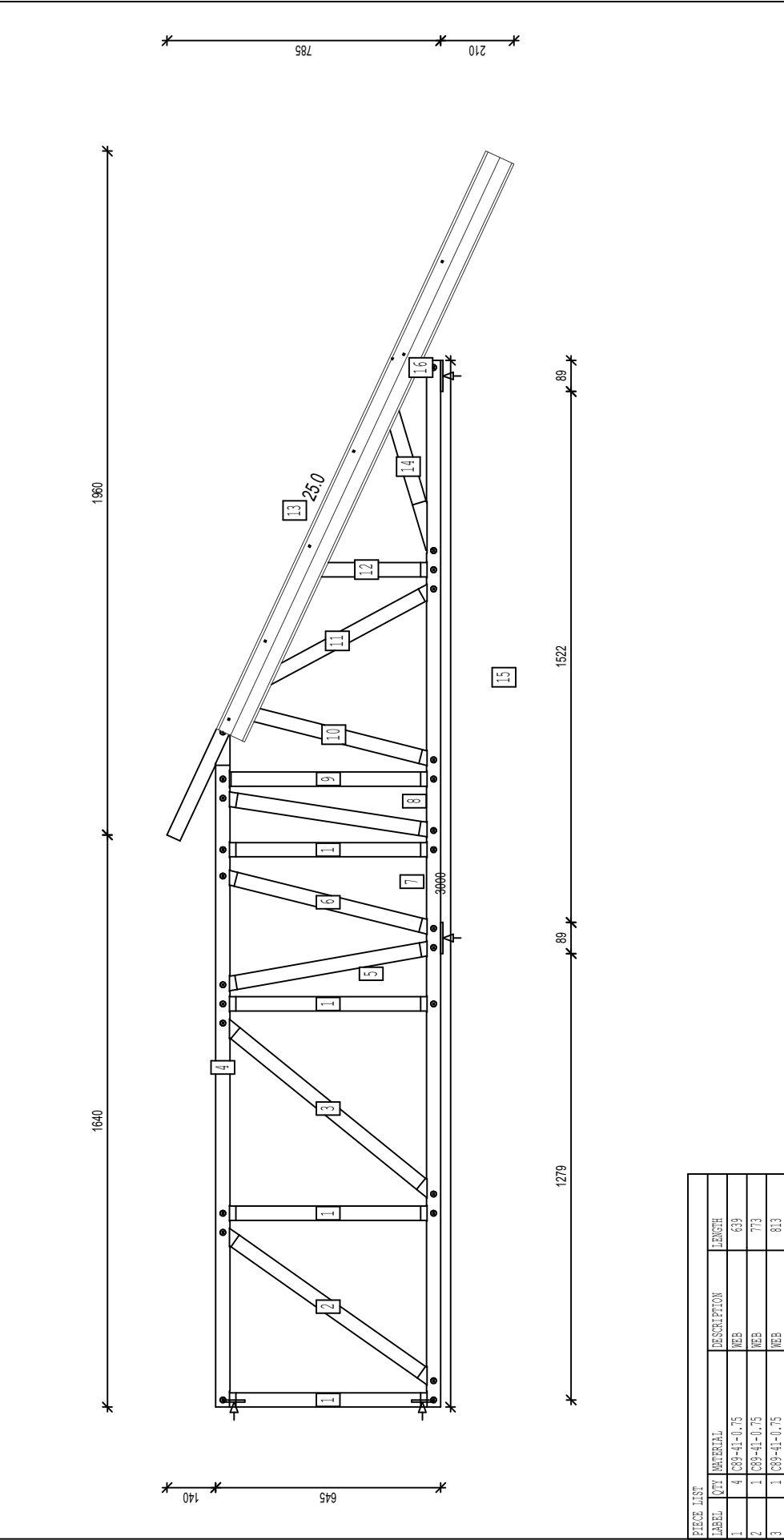


PECE LIST	LABEL	QTY	MATERIAL	DESCRIPTION	LENGTH
	1	1	C89-41-0.75	WEB	360
	2	1	C89-41-0.75	WEB	485
	3	1	C89-41-0.75	WEB	677
	4	1	C89-41-0.75	TOP CHORD	1857
	5	1	C89-41-0.75	WEB	503
	6	1	C89-41-0.75	WEB	569
	7	1	C89-41-0.75	TOP CHORD	677
	8	1	C89-41-0.75	WEB	795
	9	1	C89-41-0.75	BOTTOM CHORD	3000
	10	1	C89-41-0.75	WEB	197
	11	1	C89-41-0.75	WEB	548
	12	1	C89-41-0.75	WEB	523
	13	1	C89-41-0.75	TOP CHORD	2074
	14	1	C89-41-0.75	WEB	332
	15	1	C89-41-0.75	SIDE REINFORCE	1442
	16	1	C89-41-0.75	WEB	151
	QTY 16			TOTAL LENGTH 14790mm	

Truss: T8 PROJECT TAFE-MA1006640-M PANEL HEIGHT 994 PANEL WEIGHT 19.9kg Quantity: 1 Spacing: 900

Metframe Australia Pty Ltd 07.09.2024 Customer: TAFE NSW

SCHEM. QTY.: 76



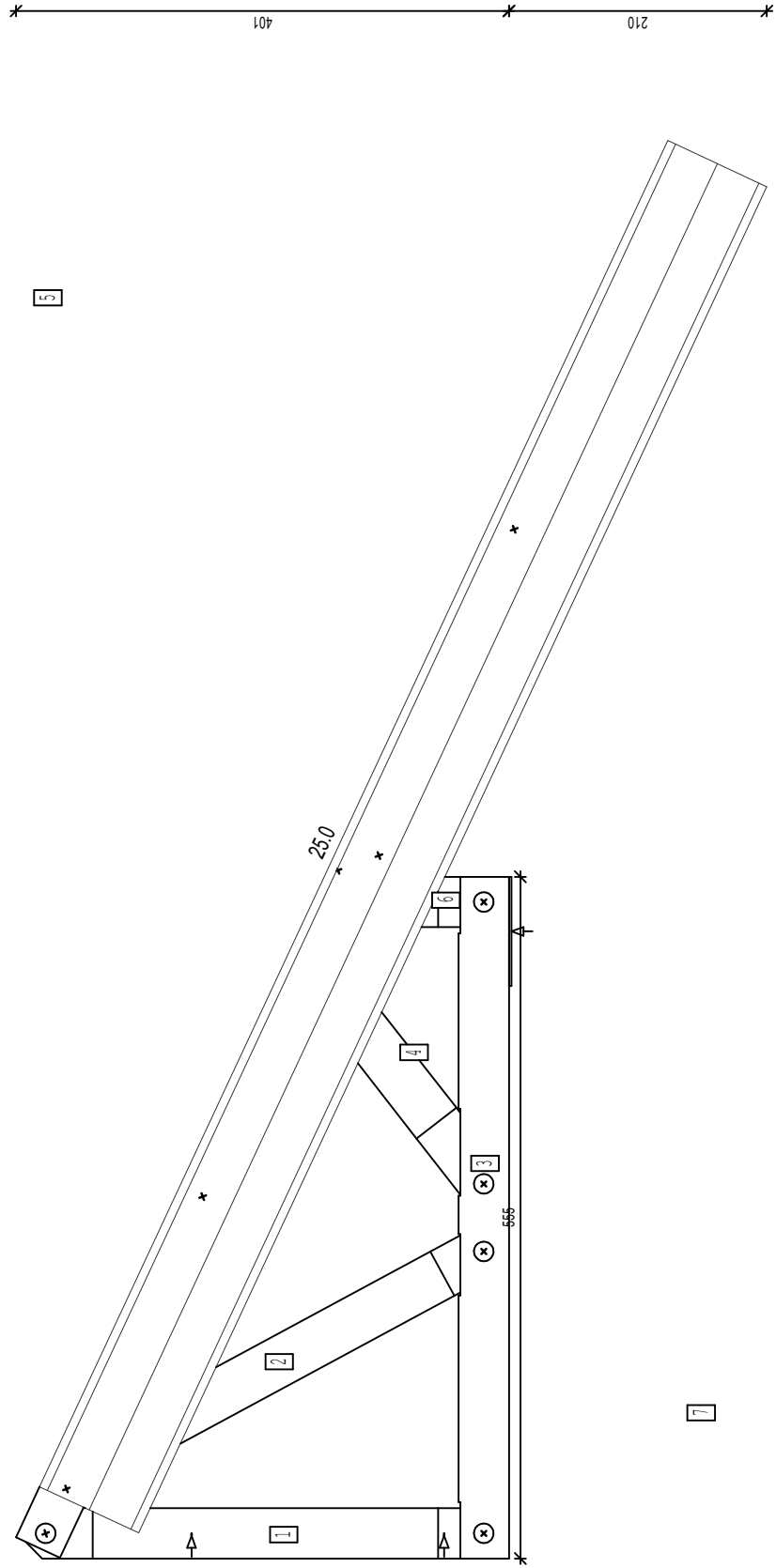
PIECE LIST

LABEL	QTY	MATERIAL	DESCRIPTION	LENGTH
1	4	C89-41-0.75	WEB	639
2	1	C89-41-0.75	WEB	773
3	1	C89-41-0.75	WEB	813
4	1	C89-41-0.75	TOP CHORD	1947
5	1	C89-41-0.75	WEB	647
6	1	C89-41-0.75	WEB	656
7	1	C89-41-0.75	BOTTOM CHORD	3000
8	1	C89-41-0.75	WEB	641
9	1	C89-41-0.75	WEB	638
10	1	C89-41-0.75	WEB	624
11	1	C89-41-0.75	WEB	660
12	1	C89-41-0.75	WEB	620
13	1	C89-41-0.75	TOP CHORD	2063
14	1	C89-41-0.75	WEB	518
15	1	C89-41-0.75	SIDE REINFORCE	1828
16	1	C89-41-0.75	WEB	151
QTY 19			TOTAL LENGTH 17935mm	

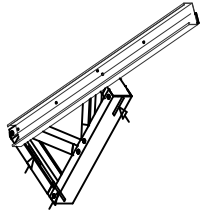
Truss: T9 Quantity: 1 PROJECT: TAFE-MA1006640-M PANEL HEIGHT: 619 PANEL WEIGHT: 4.6kg Metframe Australia Pty Ltd 07.09.2024 Customer: TAFE NSW

SCHEM. QTY.: 26

1155



446 89

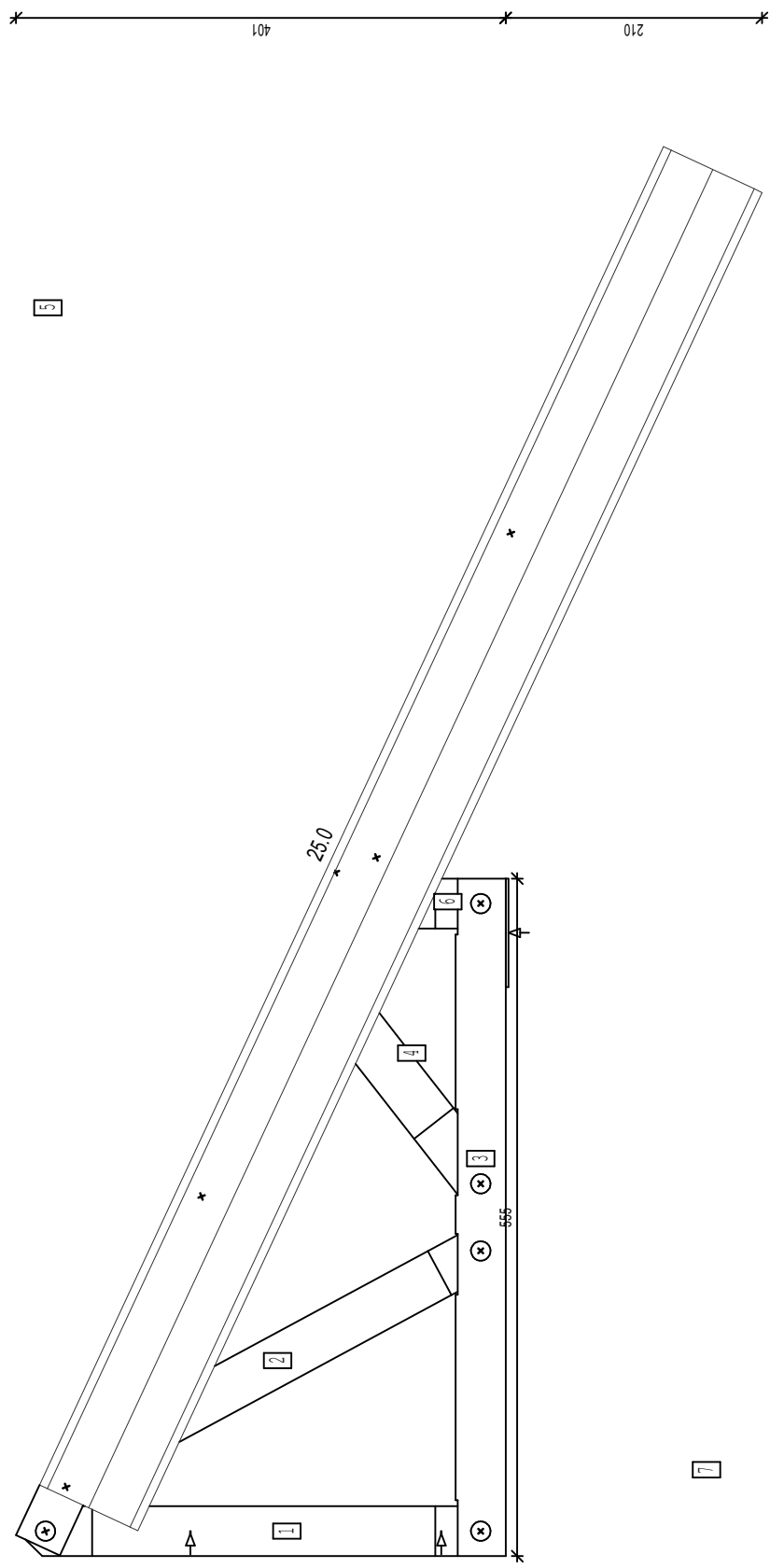


PIECE LIST		
LABEL	QTY MATERIAL	DESCRIPTION LENGTH
1	1	C89-41-0.75 WEB 391
2	1	C89-41-0.75 WEB 412
3	1	C89-41-0.75 BOTTOM CHORD 556
4	1	C89-41-0.75 WEB 261
5	1	C89-41-0.75 TOP CHORD 1156
6	1	C89-41-0.75 WEB 151
7	1	C89-41-0.75 SIDE REINFORCEMENT 1210
QTY: 7		TOTAL LENGTH: 4137mm

Truss: T10 Quantity: 1 Spacing: 600 PROJECT TAFE-MA1006640-M PANEL HEIGHT 619 PANEL WEIGHT 4.6kg Metframe Australia Pty Ltd 07.09.2024 Customer: TAFE NSW

SCHEM. QTY: 2.6

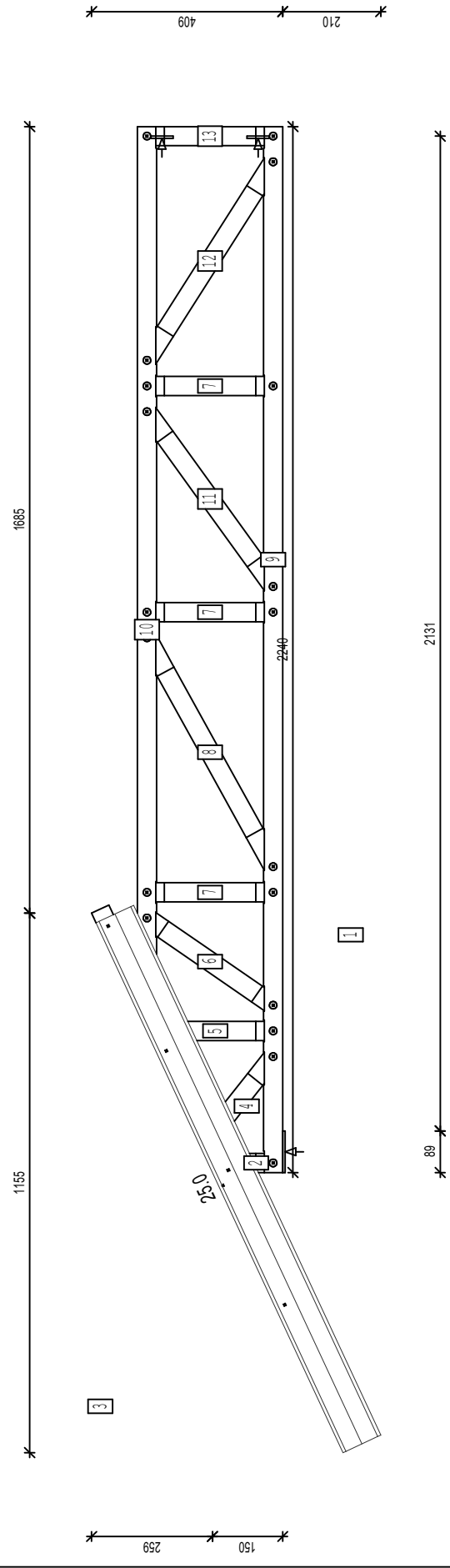
1155



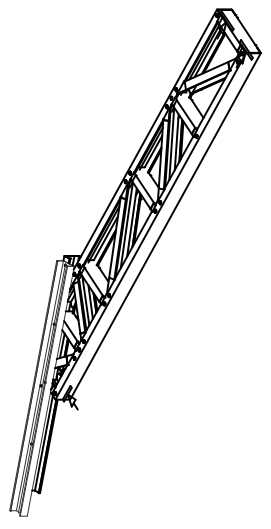
446 89

PIECE LIST		
LABEL	QTY MATERIAL	DESCRIPTION LENGTH
1	1	C89-41-0.75 WEB 391
2	1	C89-41-0.75 WEB 412
3	1	C89-41-0.75 BOTTOM CHORD 556
4	1	C89-41-0.75 WEB 261
5	1	C89-41-0.75 TOP CHORD 1156
6	1	C89-41-0.75 WEB 151
7	1	C89-41-0.75 SIDE REINFORCEMENT 1210
QTY: 7		TOTAL LENGTH: 4137mm

SCHEM. QTY.: 56



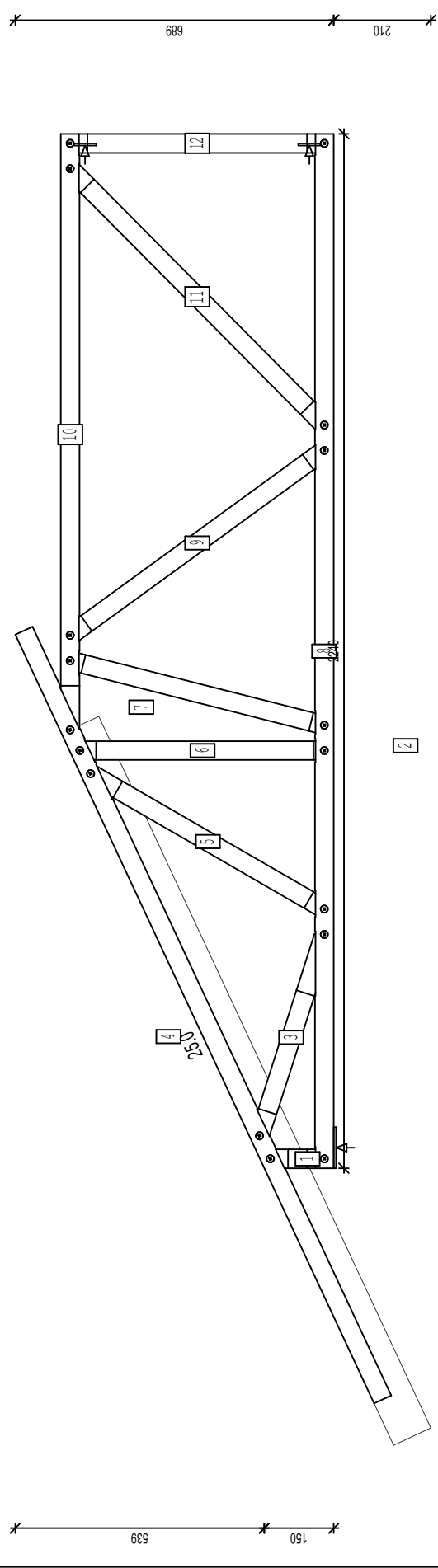
PIECE LIST				
LABEL	QTY	MATERIAL	DESCRIPTION	LENGTH
1	1	C89-41-0.75	SIDE REINFORCE	1262
2	1	C89-41-0.75	WEB	151
3	1	C89-41-0.75	TOP CHORD	1175
4	1	C89-41-0.75	WEB	260
5	1	C89-41-0.75	WEB	283
6	1	C89-41-0.75	WEB	363
7	3	C89-41-0.75	WEB	306
8	1	C89-41-0.75	WEB	587
9	1	C89-41-0.75	BOTTOM CHORD	2240
10	1	C89-41-0.75	TOP CHORD	1903
11	1	C89-41-0.75	WEB	494
12	1	C89-41-0.75	WEB	533
13	1	C89-41-0.75	WEB	306
QTY. 15	TOTAL LENGTH 10465mm			



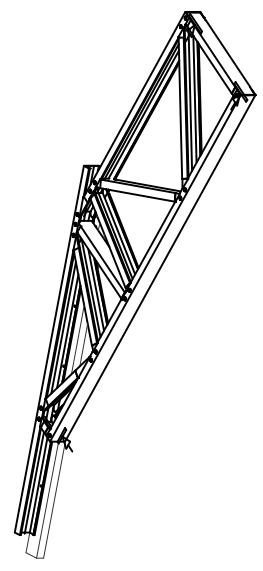
Truss: T12 Quantity: 1 PROJECT TAFE-MA1006640-M PANEL HEIGHT 899 PANEL WEIGHT 12.9kg Metframe Australia Pty Ltd 07.09.2024 Customer: TAFE NSW

SCHEM. QTY: 48

1755 1085



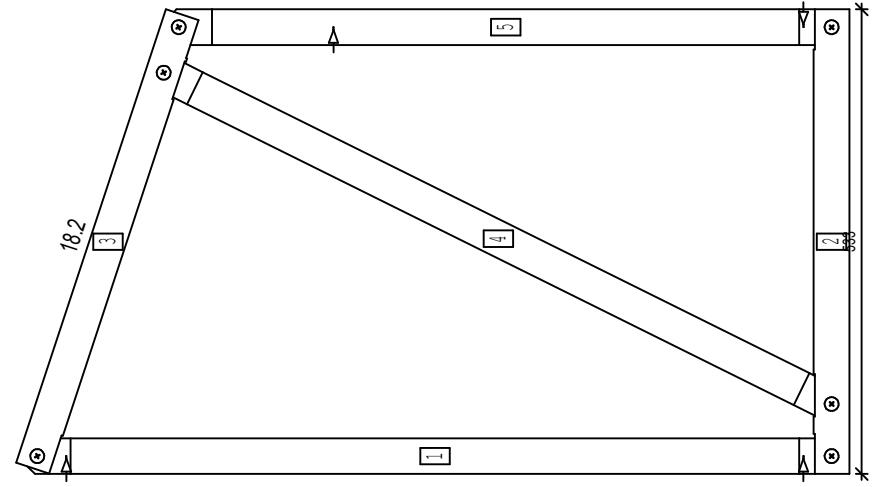
PIECE LIST	LABEL	QTY	MATERIAL	DESCRIPTION	LENGTH
	1	1	C89-41-0.75	WEB	151
	2	1	C89-41-0.75	SIDE REINFORCE	1700
	3	1	C89-41-0.75	WEB	484
	4	1	C89-41-0.75	TOP CHORD	1837
	5	1	C89-41-0.75	WEB	612
	6	1	C89-41-0.75	WEB	561
	7	1	C89-41-0.75	WEB	598
	8	1	C89-41-0.75	BOTTOM CHORD	2240
	9	1	C89-41-0.75	WEB	715
	10	1	C89-41-0.75	TOP CHORD	1303
	11	1	C89-41-0.75	WEB	818
	12	1	C89-41-0.75	WEB	586
	QTY 12			TOTAL LENGTH 11605mm	



Truss: T13 Quantity: 1 PROJECT TAFE-MA1006640-M PANEL HEIGHT 960 PANEL WEIGHT 4.1kg Metframe Australia Pty Ltd 07.09.2024 Customer: TAFE NSW

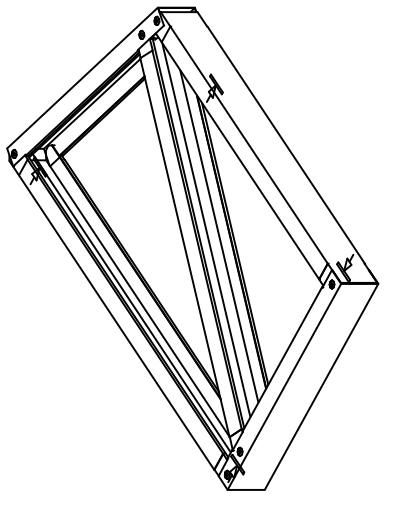
SCHEM. QTY: 12

533



996

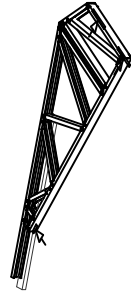
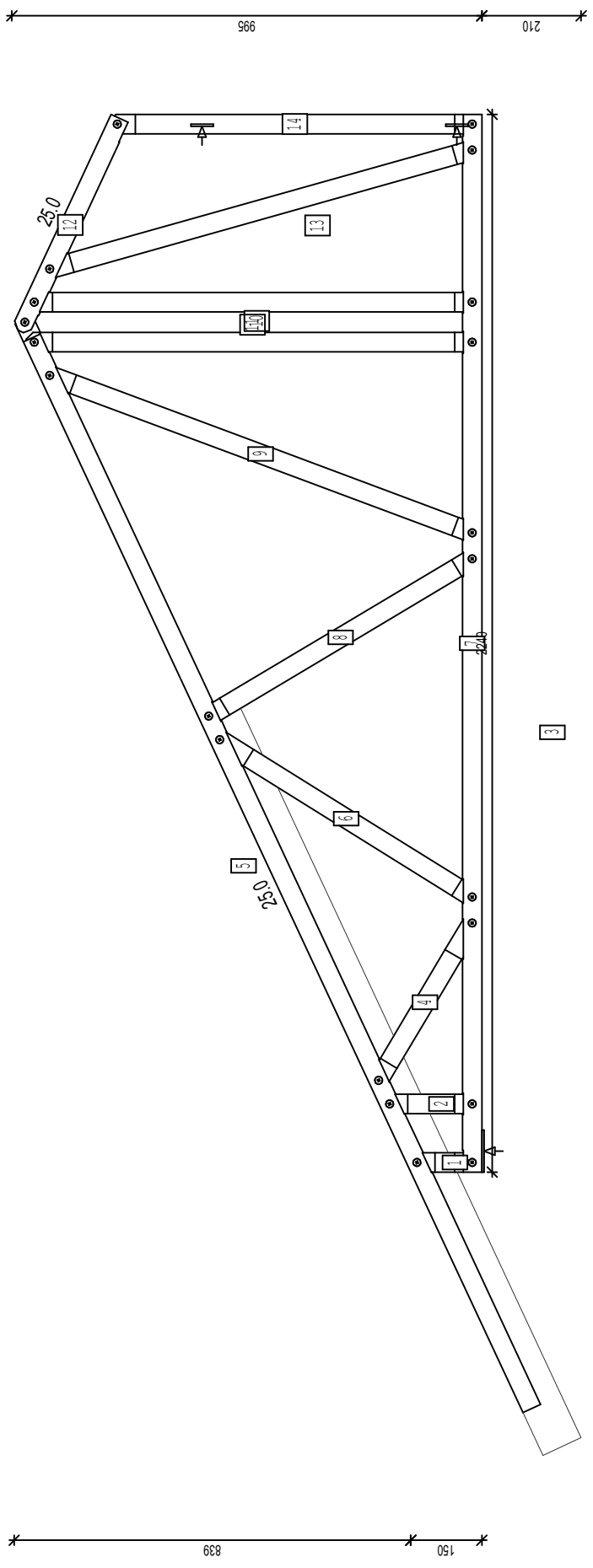
492



PIECE LIST				
LABEL	QTY	MATERIAL	DESCRIPTION	LENGTH
1	1	C89-41-0.75	WEB	946
2	1	C89-41-0.75	BOTTOM CHORD	533
3	1	C89-41-0.75	TOP CHORD	548
4	1	C89-41-0.75	WEB	887
5	1	C89-41-0.75	WEB	784
QTY: 5			TOTAL LENGTH:	3696mm

Truss: T14 Quantity: 1 PROJECT: TAFE-MA1006640-M PANEL HEIGHT: 1199 PANEL WEIGHT: 15.3kg Metframe Australia Pty Ltd 07.09.2024 Customer: TAFE NSW

SCHEM. QTY: 56 440 2400 839 150 995 210 2131 89

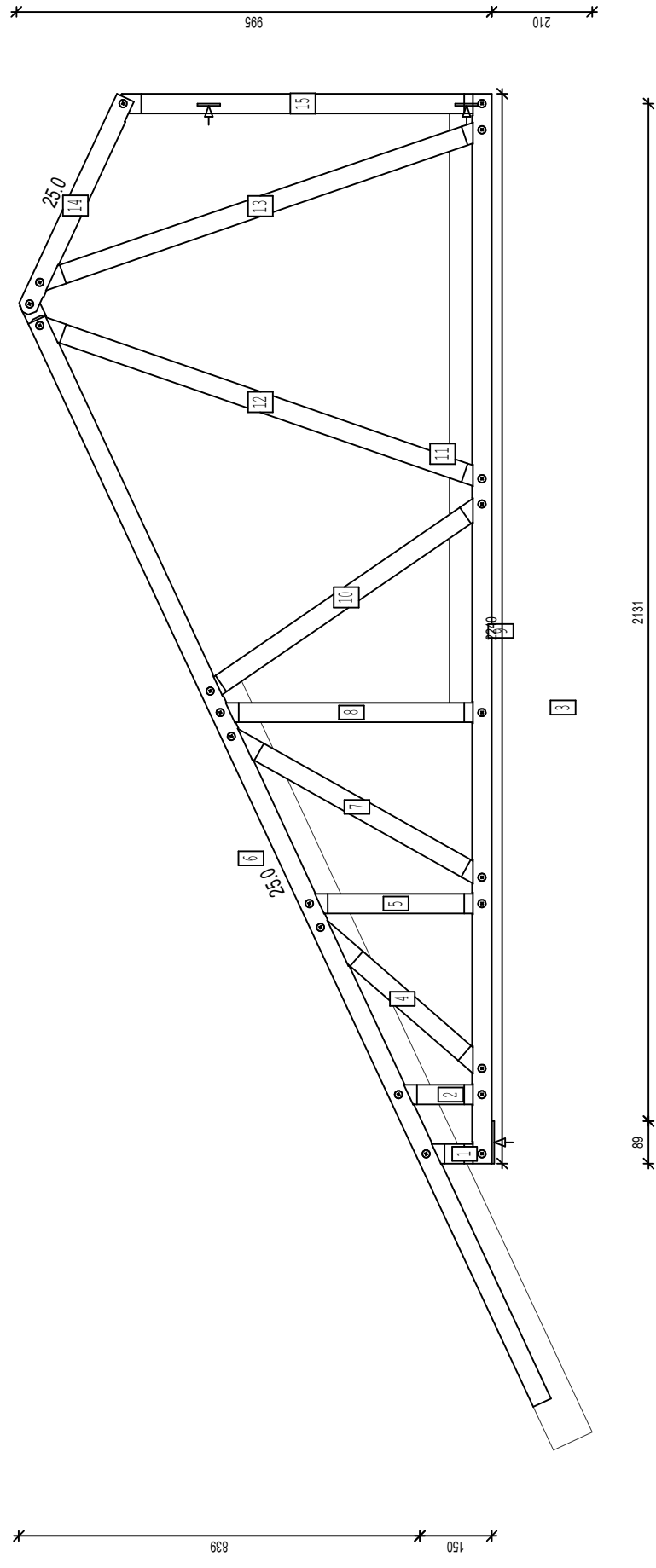


PIECE LIST			
LABEL	QTY	DESCRIPTION	LENGTH
1	1	C89-41-0.75 WEB	151
2	1	C89-41-0.75 WEB	209
3	1	C89-41-0.75 SIDE REINFORCE	1718
4	1	C89-41-0.75 WEB	419
5	1	C89-41-0.75 TOP CHORD	2557
6	1	C89-41-0.75 WEB	662
7	1	C89-41-0.75 BOTTOM CHORD	2240
8	1	C89-41-0.75 WEB	682
9	1	C89-41-0.75 WEB	939
10	1	C89-41-0.75 WEB	961
11	1	C89-41-0.75 WEB	961
12	1	C89-41-0.75 TOP CHORD	497
13	1	C89-41-0.75 WEB	963
14	1	C89-41-0.75 WEB	786
TOTAL LENGTH			13795mm

Truss: T15 Quantity: 1 PROJECT TAFE-MA1006640-M PANEL HEIGHT 1199 PANEL WEIGHT 15.9kg Metframe Australia Pty Ltd 07.09.2024 Customer: TAFE NSW

SCHEM. QTY: 68

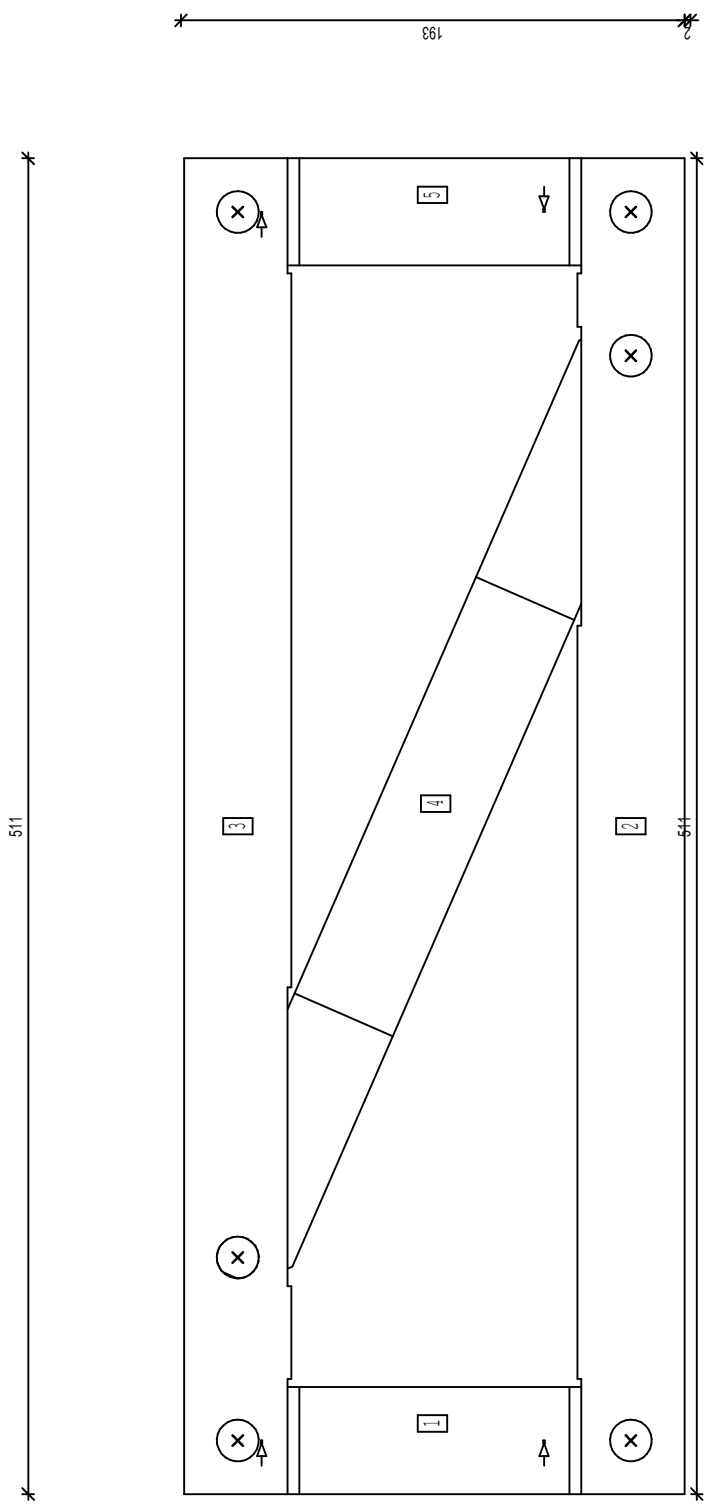
2400 440



PIECE LIST				
LABEL	QTY	MATERIAL	DESCRIPTION	LENGTH
1	1	C89-41-0.75	WEB	151
2	1	C89-41-0.75	WEB	209
3	1	C89-41-0.75	SIDE REINFORCE	1744
4	1	C89-41-0.75	WEB	478
5	1	C89-41-0.75	WEB	396
6	1	C89-41-0.75	TOP CHORD	2557
7	1	C89-41-0.75	WEB	634
8	1	C89-41-0.75	WEB	582
9	1	C89-41-0.75	BOTTOM CHORD	2240
10	1	C89-41-0.75	WEB	723
11	1	C89-41-0.75	SIDE REINFORCE	1273
12	1	C89-41-0.75	WEB	1014
13	1	C89-41-0.75	WEB	1014
14	1	C89-41-0.75	TOP CHORD	497
15	1	C89-41-0.75	WEB	786
TOTAL LENGTH				14296mm

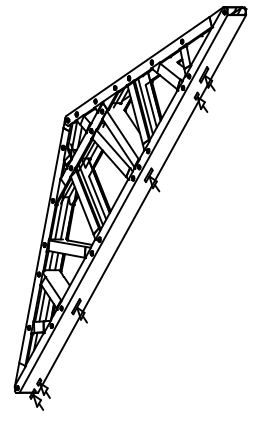
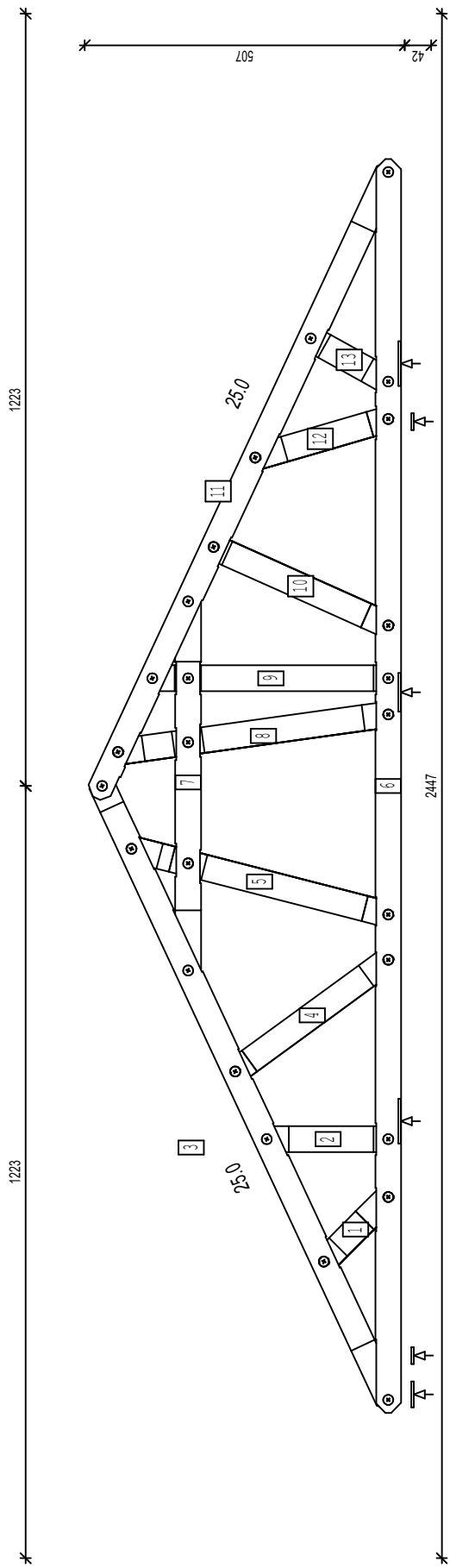
Truss: T16 Quantity: 1 PROJECT TAFE-MA1006640-M PANEL HEIGHT 197 PANEL WEIGHT 2.0kg Metframe Australia Pty Ltd 07.09.2024 Customer: TAFE NSW

SCHEM QTY: 12



PIECE LIST				
LABEL	QTY	MATERIAL	DESCRIPTION	LENGTH
1	1	C89-41-0.75	WEB	194
2	1	C89-41-0.75	BOTTOM CHORD	511
3	1	C89-41-0.75	TOP CHORD	511
4	1	C89-41-0.75	WEB	394
5	1	C89-41-0.75	WEB	184
QTY: 5			TOTAL LENGTH:	1784mm

SCHEM. QTY: 61

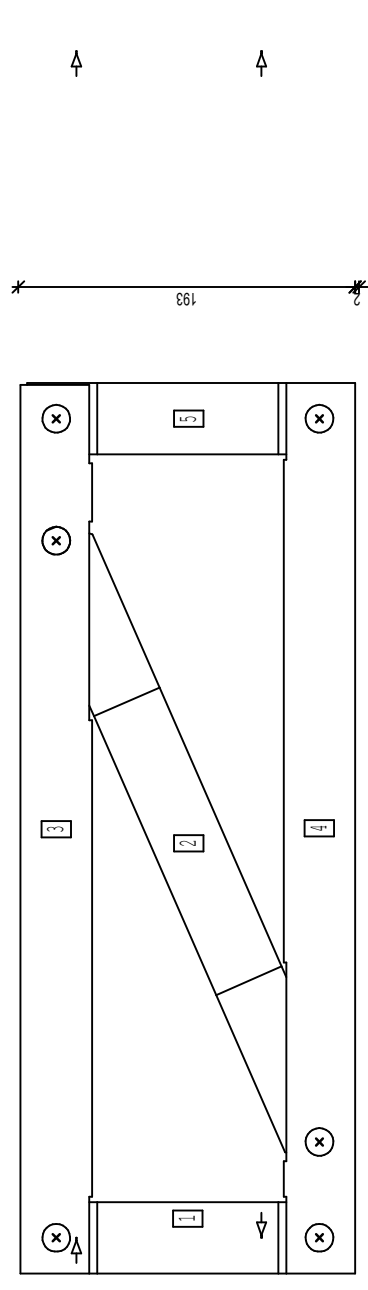


PIECE LIST	LABEL	QTY	MATERIAL	DESCRIPTION	LENGTH
	1	1	C89-41-0.75	WEB	177
	2	1	C89-41-0.75	WEB	724
	3	1	C89-41-0.75	TOP CHORD	1108
	4	1	C89-41-0.75	WEB	333
	5	1	C89-41-0.75	WEB	454
	6	1	C89-41-0.75	BOTTOM CHORD	1986
	7	1	C89-41-0.75	BOTTOM CHORD	613
	8	1	C89-41-0.75	WEB	465
	9	1	C89-41-0.75	WEB	405
	10	1	C89-41-0.75	WEB	338
	11	1	C89-41-0.75	TOP CHORD	1111
	12	1	C89-41-0.75	WEB	254
	13	1	C89-41-0.75	WEB	171
	QTY 13			TOTAL LENGTH	7638mm

Truss: T18 Quantity: 1 PROJECT: TAFE-MA1006640-M PANEL HEIGHT: 197 PANEL WEIGHT: 2.0kg Metframe Australia Pty Ltd 07.09.2024 Customer: TAFE NSW

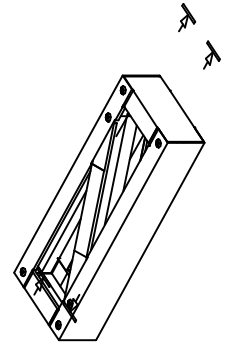
SCHEM. QTY.: 12

722



722

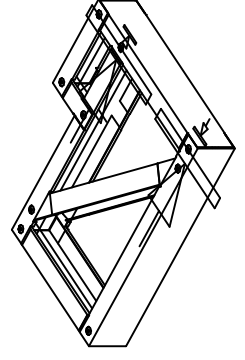
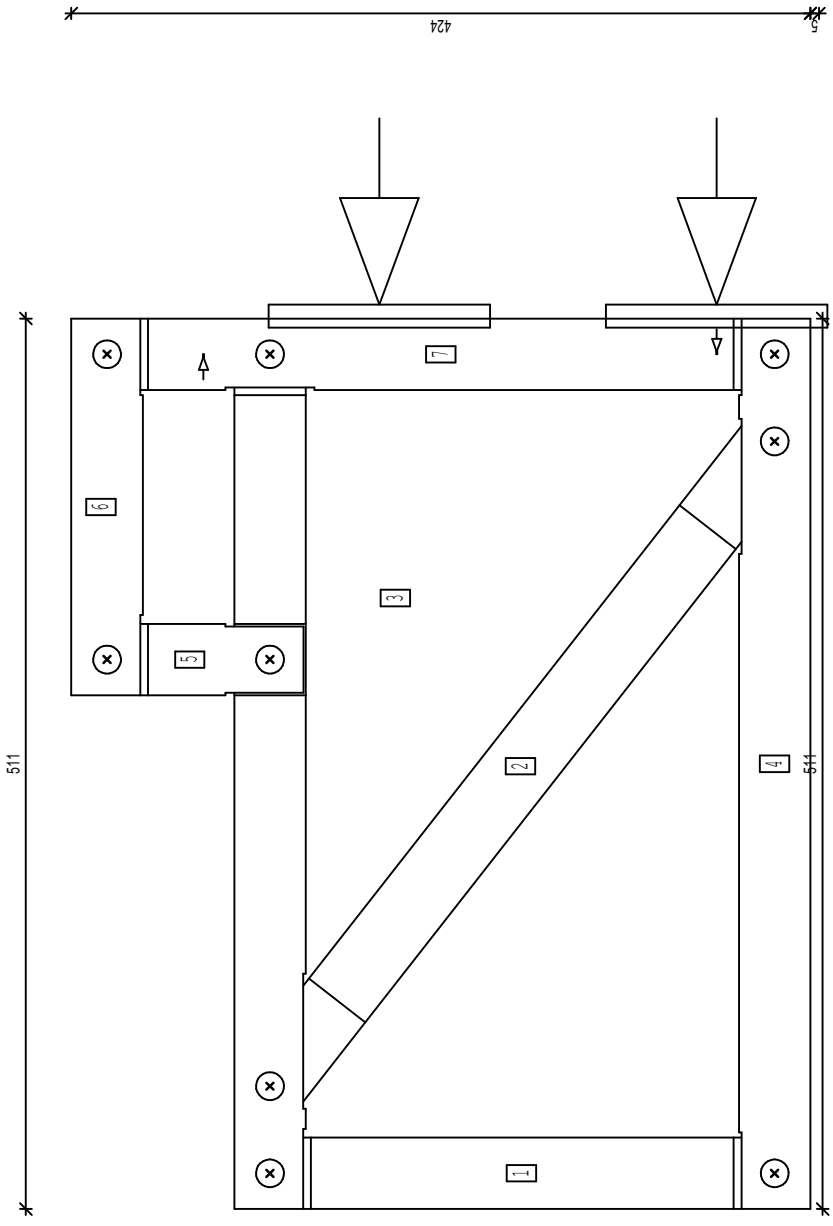
681



PIECE LIST				
LABEL	QTY	MATERIAL	DESCRIPTION	LENGTH
1	1	C89-41-0.75	WEB	185
2	1	C89-41-0.75	WEB	394
3	1	C89-41-0.75	TOP CHORD	510
4	1	C89-41-0.75	BOTTOM CHORD	511
5	1	C89-41-0.75	WEB	186
QTY:	5		TOTAL LENGTH:	1786mm

Truss: T19 Quantity: 1 PROJECT: TAFE-MA1006640-M PANEL HEIGHT: 424 PANEL WEIGHT: 2.9kg Metframe Australia Pty Ltd 07.09.2024 Customer: TAFE NSW

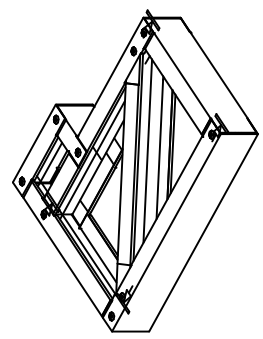
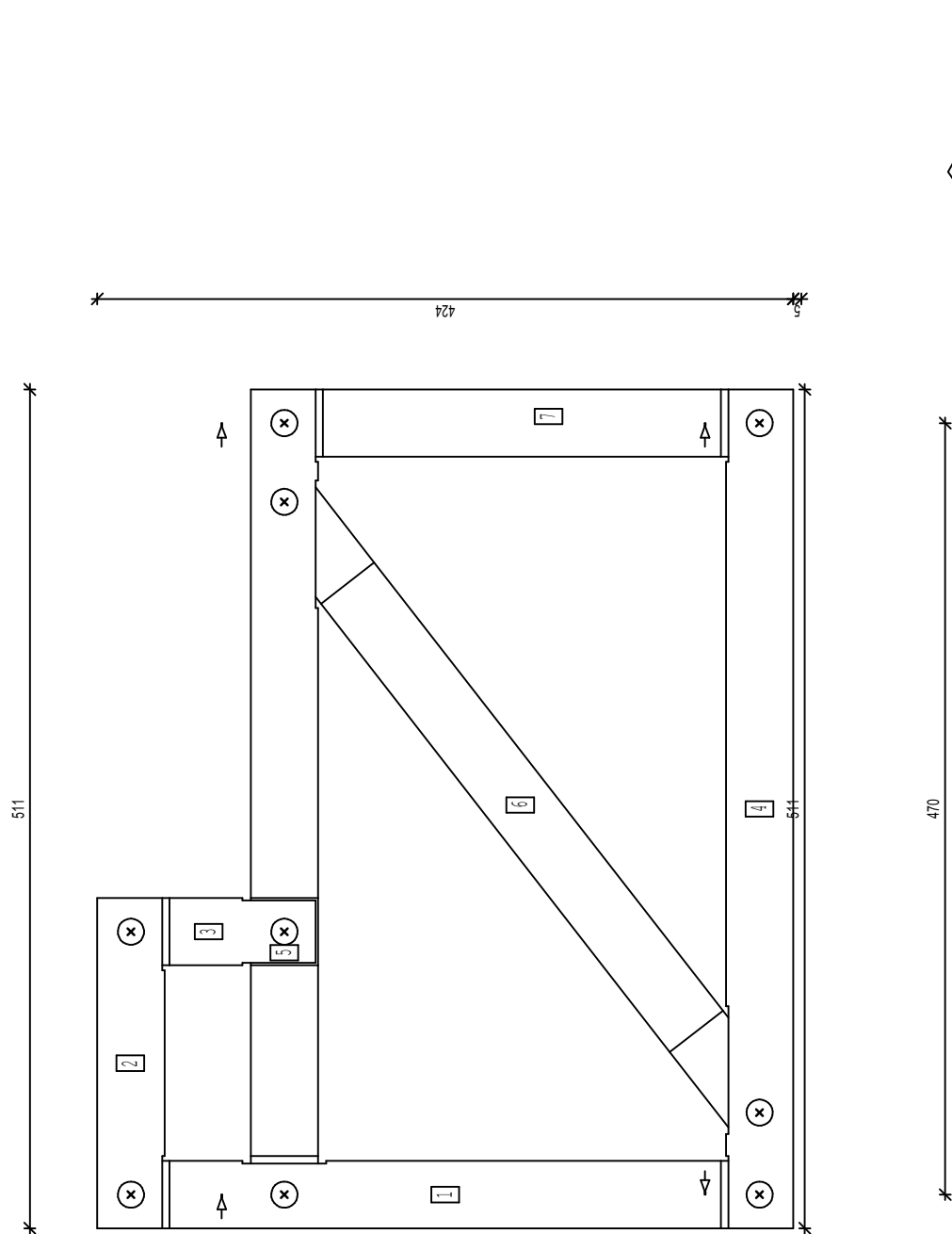
SCHEM. QTY: 18



PIECE LIST			
LABEL	QTY MATERIAL	DESCRIPTION	LENGTH
1	1	C89-41-0.75 WEB	324
2	1	C89-41-0.75 WEB	504
3	1	C89-41-0.75 TOP CHORD	508
4	1	C89-41-0.75 BOTTOM CHORD	511
5	1	C89-41-0.75 WEB	130
6	1	C89-41-0.75 TOP CHORD	216
7	1	C89-41-0.75 WEB	417
QTY	7	TOTAL LENGTH:	2610mm

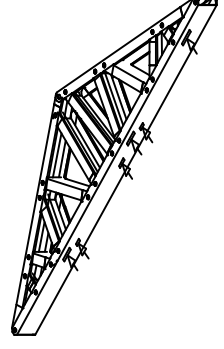
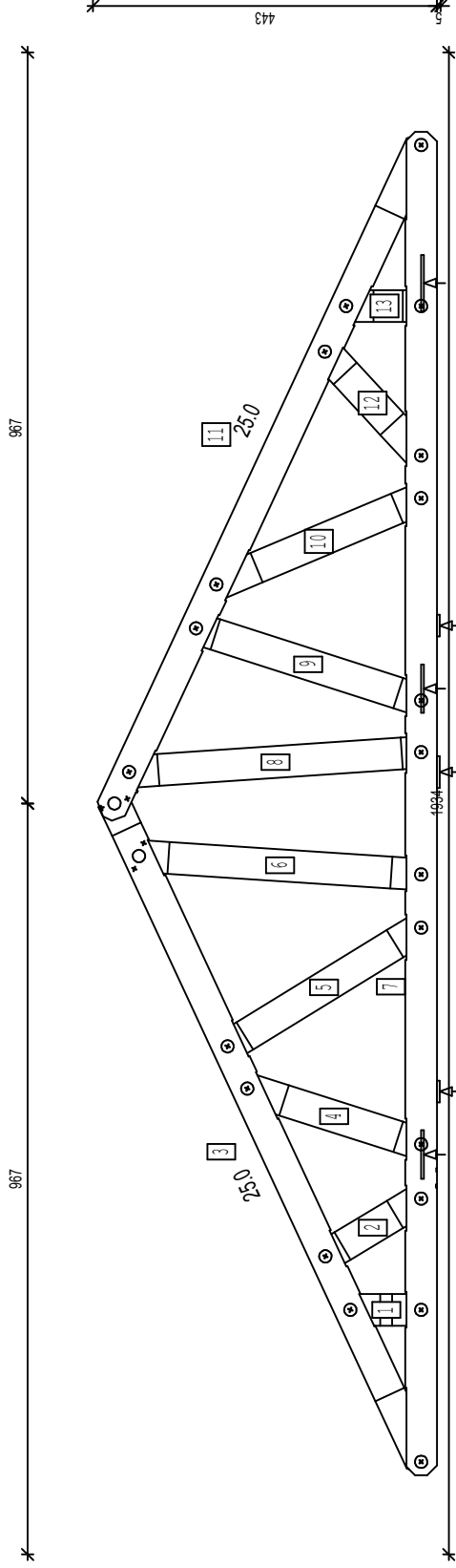
Truss: T20 Quantity: 1 PROJECT: TAFE-MA1006640-M PANEL HEIGHT: 424 PANEL WEIGHT: 2.9kg Metframe Australia Pty Ltd 07.09.2024 Customer: TAFE NSW

SCHEM. QTY.: 18



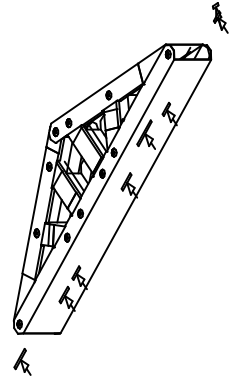
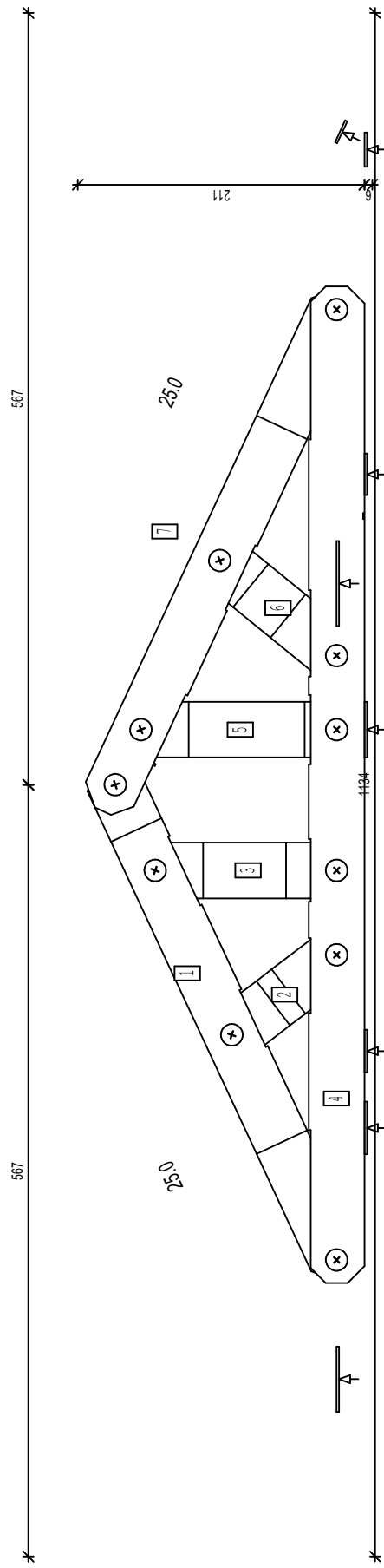
PIECE LIST			
LABEL	QTY	DESCRIPTION	LENGTH
1	1	C89-41-0.75 WEB	417
2	1	C89-41-0.75 TOP CHORD	201
3	1	C89-41-0.75 WEB	130
4	1	C89-41-0.75 BOTTOM CHORD	511
5	1	C89-41-0.75 TOP CHORD	508
6	1	C89-41-0.75 WEB	505
7	1	C89-41-0.75 WEB	324
QTY:	7	TOTAL LENGTH:	2696mm

SCHEM. QTY.: 64



PIECE LIST				
LABEL	QTY	MATERIAL	DESCRIPTION	LENGTH
1	1	C89-41-0.75	WEB	126
2	1	C89-41-0.75	WEB	175
3	1	C89-41-0.75	TOP CHORD	966
4	1	C89-41-0.75	WEB	266
5	1	C89-41-0.75	WEB	323
6	1	C89-41-0.75	WEB	398
7	1	C89-41-0.75	BOTTOM CHORD	1730
8	1	C89-41-0.75	WEB	407
9	1	C89-41-0.75	WEB	336
10	1	C89-41-0.75	WEB	316
11	1	C89-41-0.75	TOP CHORD	969
12	1	C89-41-0.75	WEB	214
13	1	C89-41-0.75	WEB	128
TOTAL LENGTH:				6354mm

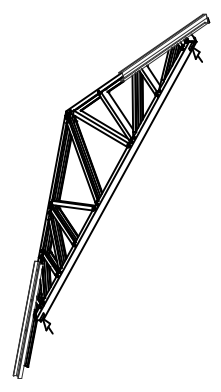
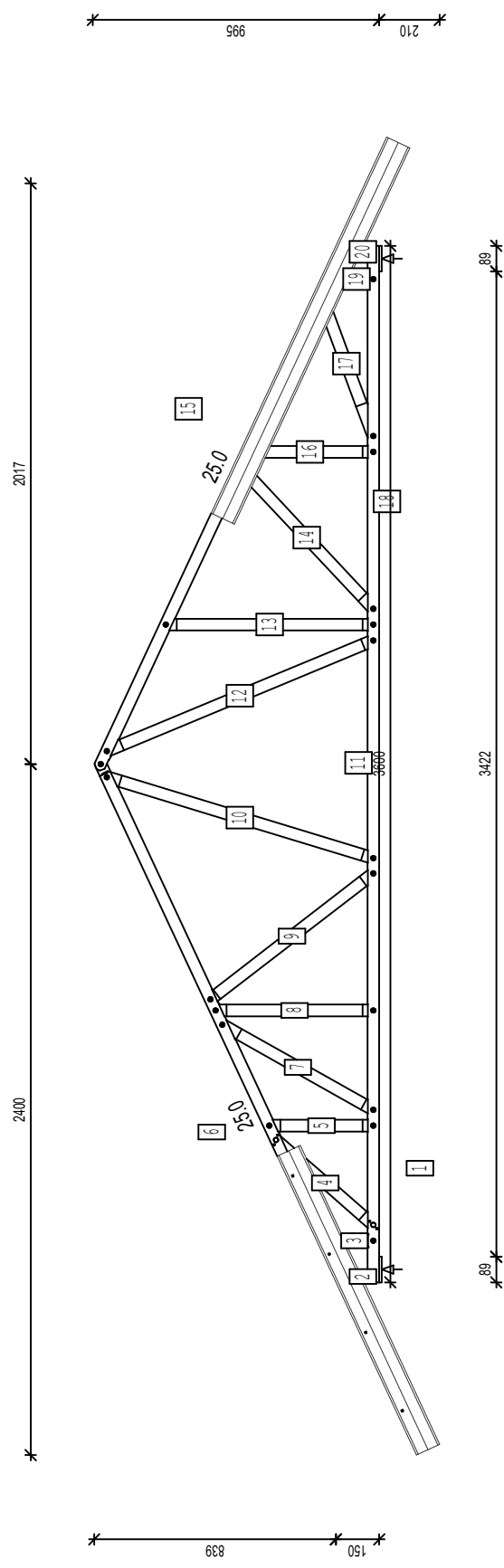
SCHEM. QTY: 28



PIECE LIST		
LABEL	QTY MATERIAL	DESCRIPTION LENGTH
1	1	TOP CHORD 416
2	1	WEB 131
3	1	WEB 166
4	1	BOTTOM CHORD 732
5	1	WEB 175
6	1	WEB 141
7	1	TOP CHORD 419
QTY	7	TOTAL LENGTH: 2180mm

Truss: T25 Quantity: 1 PROJECT TAFE-MA1006640-M PANEL HEIGHT 1199 PANEL WEIGHT 21.2kg Metframe Australia Pty Ltd 07.09.2024 Customer: TAFE NSW

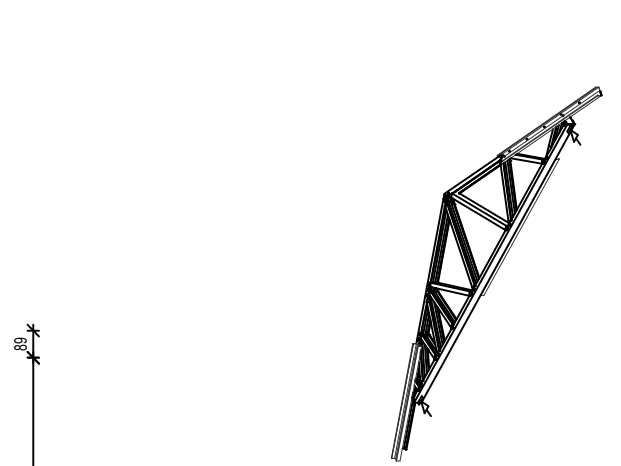
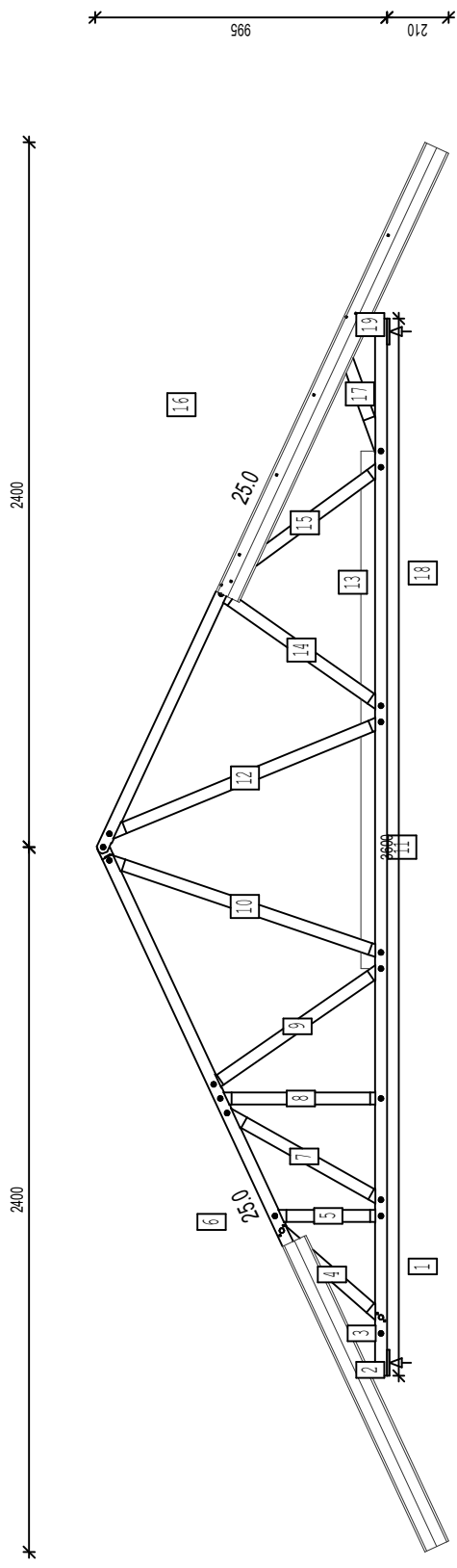
SCHEM QTY: 88



PECE LIST	LABEL	QTY	MATERIAL	DESCRIPTION	LENGTH
	1	1	C89-41-0.75	SIDE REINFORCE	1145
	2	1	C89-41-0.75	WEB	151
	3	1	C89-41-0.75	WEB	209
	4	1	C89-41-0.75	WEB	478
	5	1	C89-41-0.75	WEB	396
	6	1	C89-41-0.75	TOP CHORD	2557
	7	1	C89-41-0.75	WEB	634
	8	1	C89-41-0.75	WEB	882
	9	1	C89-41-0.75	WEB	748
	10	1	C89-41-0.75	WEB	1002
	11	1	C89-41-0.75	BOTTOM CHORD	3600
	12	1	C89-41-0.75	WEB	1037
	13	1	C89-41-0.75	WEB	755
	14	1	C89-41-0.75	WEB	713
	15	1	C89-41-0.75	TOP CHORD	2314
	16	1	C89-41-0.75	WEB	475
	17	1	C89-41-0.75	WEB	557
	18	1	C89-41-0.75	SIDE REINFORCE	1441
	19	1	C89-41-0.75	WEB	195
	20	1	C89-41-0.75	WEB	151
	QTY 20			TOTAL LENGTH	19146mm

Truss: T26 Quantity: 1 PROJECT: TAFE-MA1006640-M PANEL HEIGHT: 1199 PANEL WEIGHT: 22.7kg Metframe Australia Pty Ltd
 Spacing: 600 07.09.2024 Customer: TAFE NSW

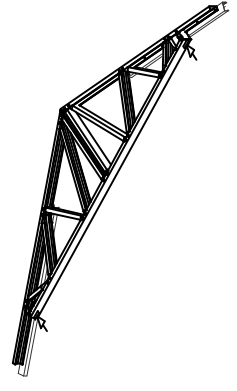
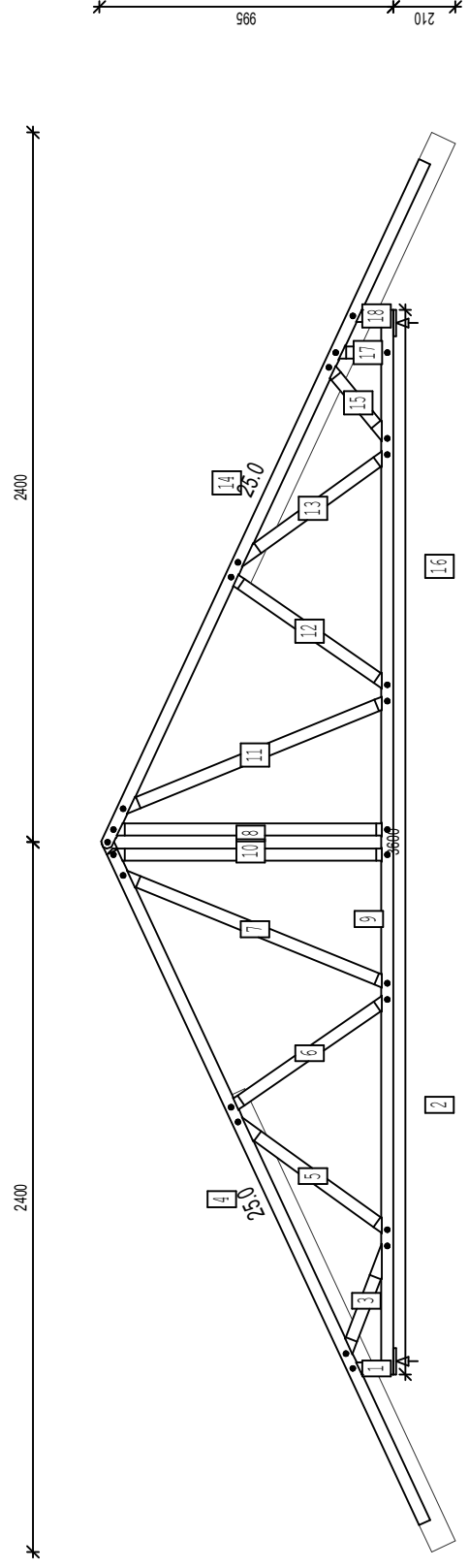
SCHEM. QTY.: 90



PIECE LIST	LABEL	QTY	MATERIAL	DESCRIPTION	LENGTH
	1	1	C89-41-0.75	SIDE REINFORCE	1148
	2	1	C89-41-0.75	WEB	151
	3	1	C89-41-0.75	WEB	206
	4	1	C89-41-0.75	WEB	478
	5	1	C89-41-0.75	WEB	396
	6	1	C89-41-0.75	TOP CHORD	2357
	7	1	C89-41-0.75	WEB	634
	8	1	C89-41-0.75	WEB	582
	9	1	C89-41-0.75	WEB	726
	10	1	C89-41-0.75	WEB	1012
	11	1	C89-41-0.75	BOTTOM CHORD	3600
	12	1	C89-41-0.75	WEB	1035
	13	1	C89-41-0.75	SIDE REINFORCE	1762
	14	1	C89-41-0.75	WEB	696
	15	1	C89-41-0.75	WEB	676
	16	1	C89-41-0.75	TOP CHORD	2560
	17	1	C89-41-0.75	WEB	434
	18	1	C89-41-0.75	SIDE REINFORCE	1687
	19	1	C89-41-0.75	WEB	151
	QTY. 19			TOTAL LENGTH 20491mm	

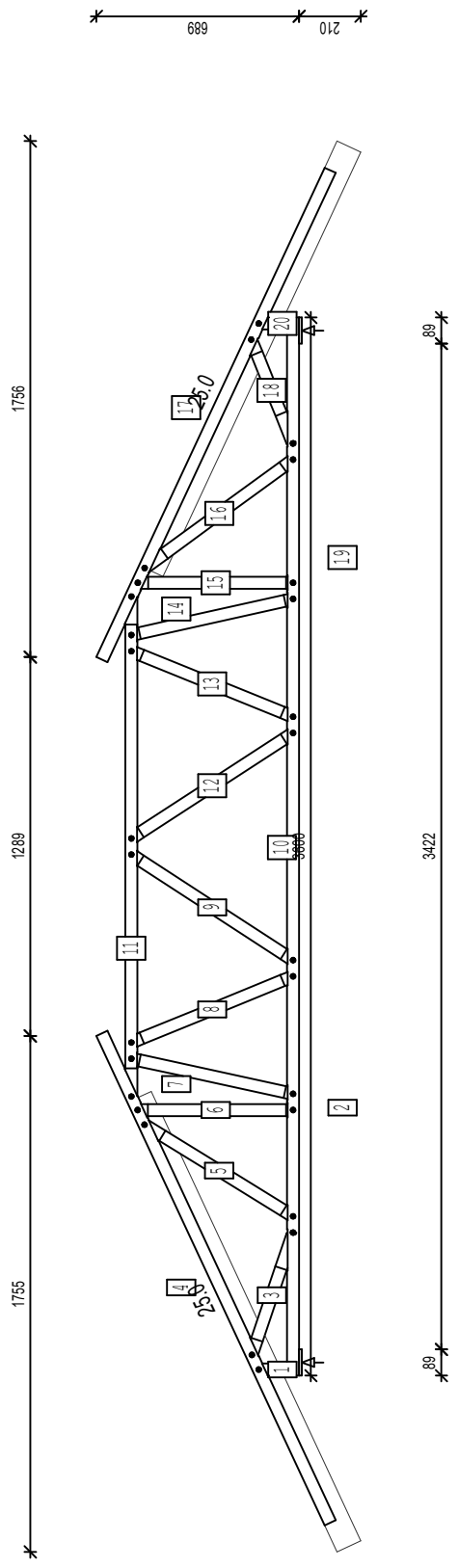
Truss: T27 Quantity: 1 PROJECT TAFE-MA1006640-M PANEL HEIGHT 1199 PANEL WEIGHT 22.1kg Metframe Australia Pty Ltd 07.09.2024 Customer: TAFE NSW

SCHEM. QTY.: 82



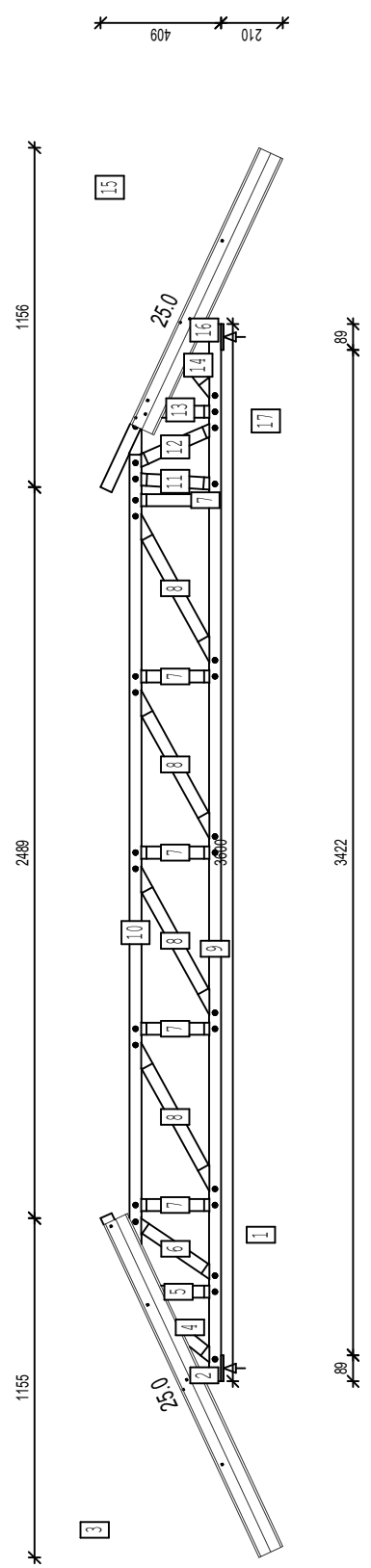
PIECE LIST	LABEL	QTY	MATERIAL	DESCRIPTION	LENGTH
	1	1	C89-41-0.75	WEB	151
	2	1	C89-41-0.75	SIDE REINFORCE	1687
	3	1	C89-41-0.75	WEB	419
	4	1	C89-41-0.75	TOP CHORD	2557
	5	1	C89-41-0.75	WEB	654
	6	1	C89-41-0.75	WEB	674
	7	1	C89-41-0.75	WEB	1000
	8	1	C89-41-0.75	WEB	961
	9	1	C89-41-0.75	BOTTOM CHORD	3600
	10	1	C89-41-0.75	WEB	961
	11	1	C89-41-0.75	WEB	1000
	12	1	C89-41-0.75	WEB	674
	13	1	C89-41-0.75	WEB	654
	14	1	C89-41-0.75	TOP CHORD	2560
	15	1	C89-41-0.75	WEB	345
	16	1	C89-41-0.75	SIDE REINFORCE	1650
	17	1	C89-41-0.75	WEB	206
	18	1	C89-41-0.75	WEB	151
	QTY. 18			TOTAL LENGTH	19904mm

SCHEM. QTY.: 86



PECE LIST	LABEL	QTY	MATERIAL	DESCRIPTION	LENGTH
	1	1	C89-41-0.75	WEB	151
	2	1	C89-41-0.75	SIDE REINFORCE	1687
	3	1	C89-41-0.75	WEB	459
	4	1	C89-41-0.75	TOP CHORD	1837
	5	1	C89-41-0.75	WEB	626
	6	1	C89-41-0.75	WEB	560
	7	1	C89-41-0.75	WEB	594
	8	1	C89-41-0.75	WEB	628
	9	1	C89-41-0.75	WEB	691
	10	1	C89-41-0.75	BOTTOM CHORD	3600
	11	1	C89-41-0.75	TOP CHORD	1725
	12	1	C89-41-0.75	WEB	691
	13	1	C89-41-0.75	WEB	627
	14	1	C89-41-0.75	WEB	594
	15	1	C89-41-0.75	WEB	560
	16	1	C89-41-0.75	WEB	656
	17	1	C89-41-0.75	TOP CHORD	1837
	18	1	C89-41-0.75	WEB	403
	19	1	C89-41-0.75	SIDE REINFORCE	1593
	20	1	C89-41-0.75	WEB	151
	QTY. 20			TOTAL LENGTH 19470mm	

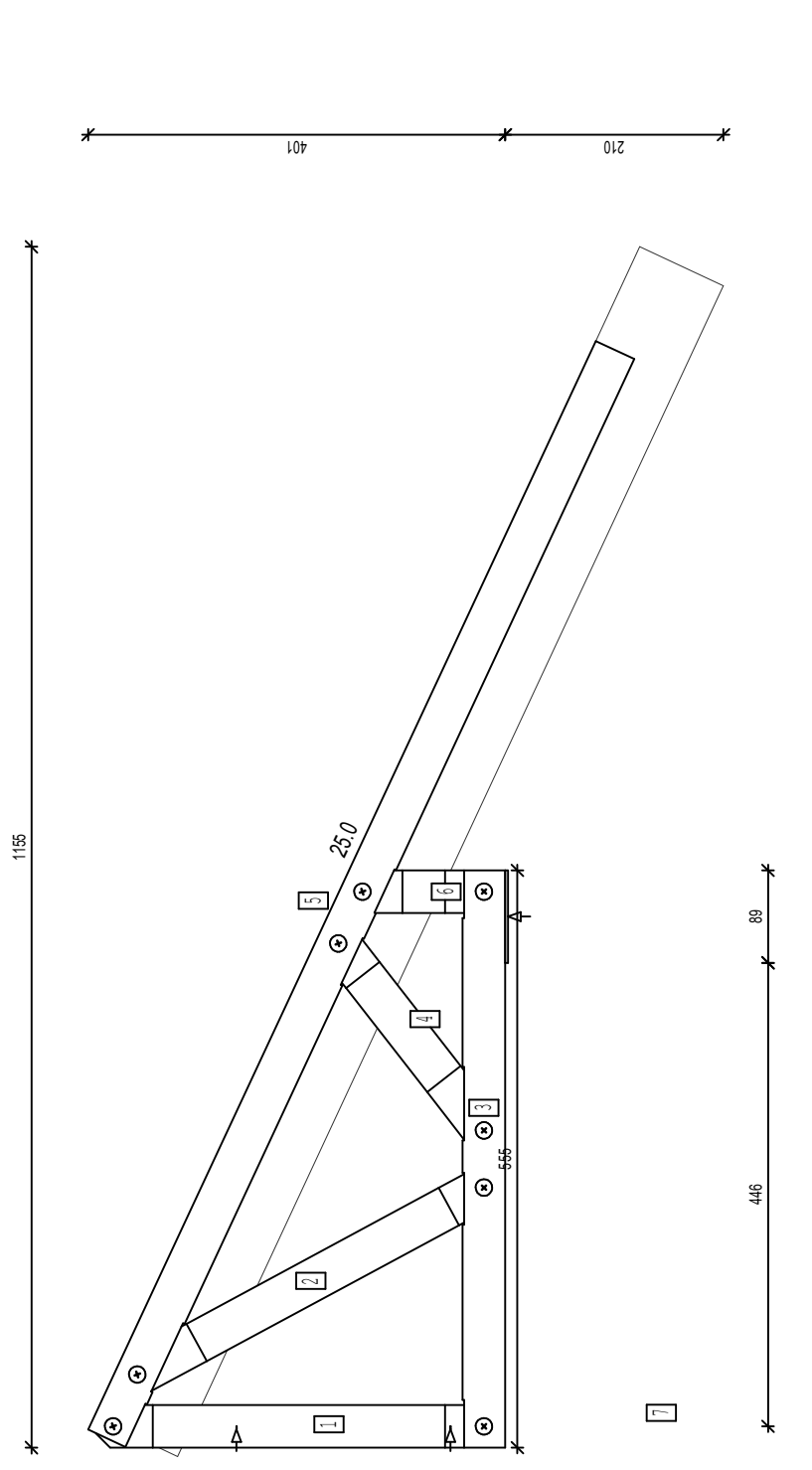
SCHEM. QTY: 98



PIECE LIST	DESCRIPTION	LENGTH
1	1 C89-41-0.75 SIDE REINFORCE	1250
2	1 C89-41-0.75 WEB	151
3	1 C89-41-0.75 TOP CHORD	1175
4	1 C89-41-0.75 WEB	317
5	1 C89-41-0.75 WEB	284
6	1 C89-41-0.75 WEB	358
7	5 C89-41-0.75 WEB	306
8	4 C89-41-0.75 WEB	587
9	1 C89-41-0.75 BOTTOM CHORD	3600
10	1 C89-41-0.75 TOP CHORD	2925
11	1 C89-41-0.75 WEB	304
12	1 C89-41-0.75 WEB	328
13	1 C89-41-0.75 WEB	281
14	1 C89-41-0.75 WEB	257
15	1 C89-41-0.75 TOP CHORD	1175
16	1 C89-41-0.75 WEB	151
17	1 C89-41-0.75 SIDE REINFORCE	1038
QTY 24	TOTAL LENGTH 11472mm	

Truss: T30 PROJECT: TAFE-MA1006640-M PANEL HEIGHT: 619 PANEL WEIGHT: 4.6kg Metframe Australia Pty Ltd 07.09.2024 Customer: TAFE NSW

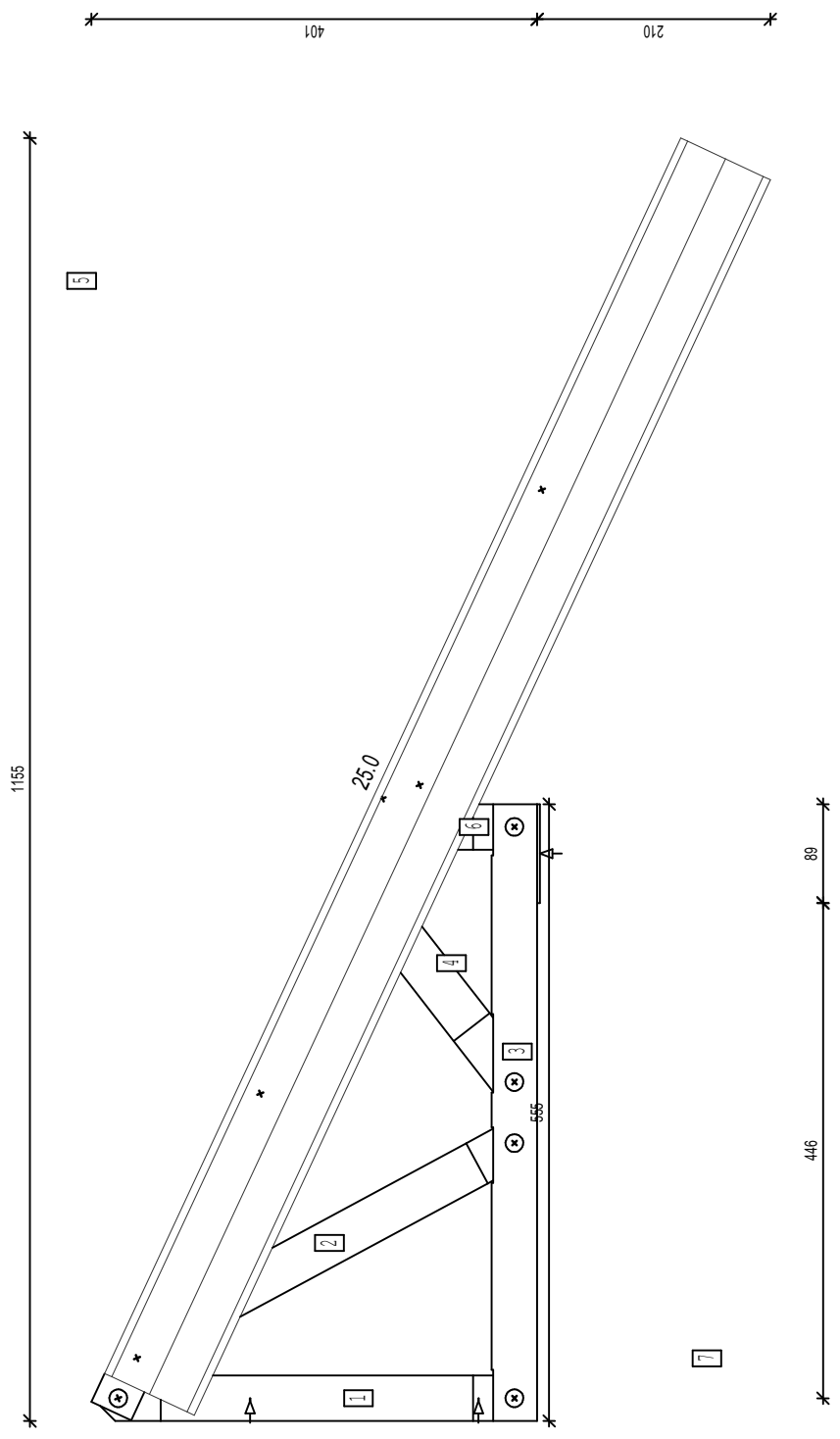
SCHEM. QTY: 26



PIECE LIST			
LABEL	QTY	DESCRIPTION	LENGTH
1	1	C89-41-0.75 WEB	391
2	1	C89-41-0.75 WEB	412
3	1	C89-41-0.75 BOTTOM CHORD	556
4	1	C89-41-0.75 WEB	261
5	1	C89-41-0.75 TOP CHORD	1156
6	1	C89-41-0.75 WEB	151
7	1	C89-41-0.75 SIDE REINFORCE	1243
QTY	7	TOTAL LENGTH	4170mm

Truss: T31 Quantity: 2 PROJECT: TAFE-MA1006640-M PANEL HEIGHT: 619 PANEL WEIGHT: 4.6kg Metframe Australia Pty Ltd
 Spacing: 600 07.09.2024 Customer: TAFE NSW

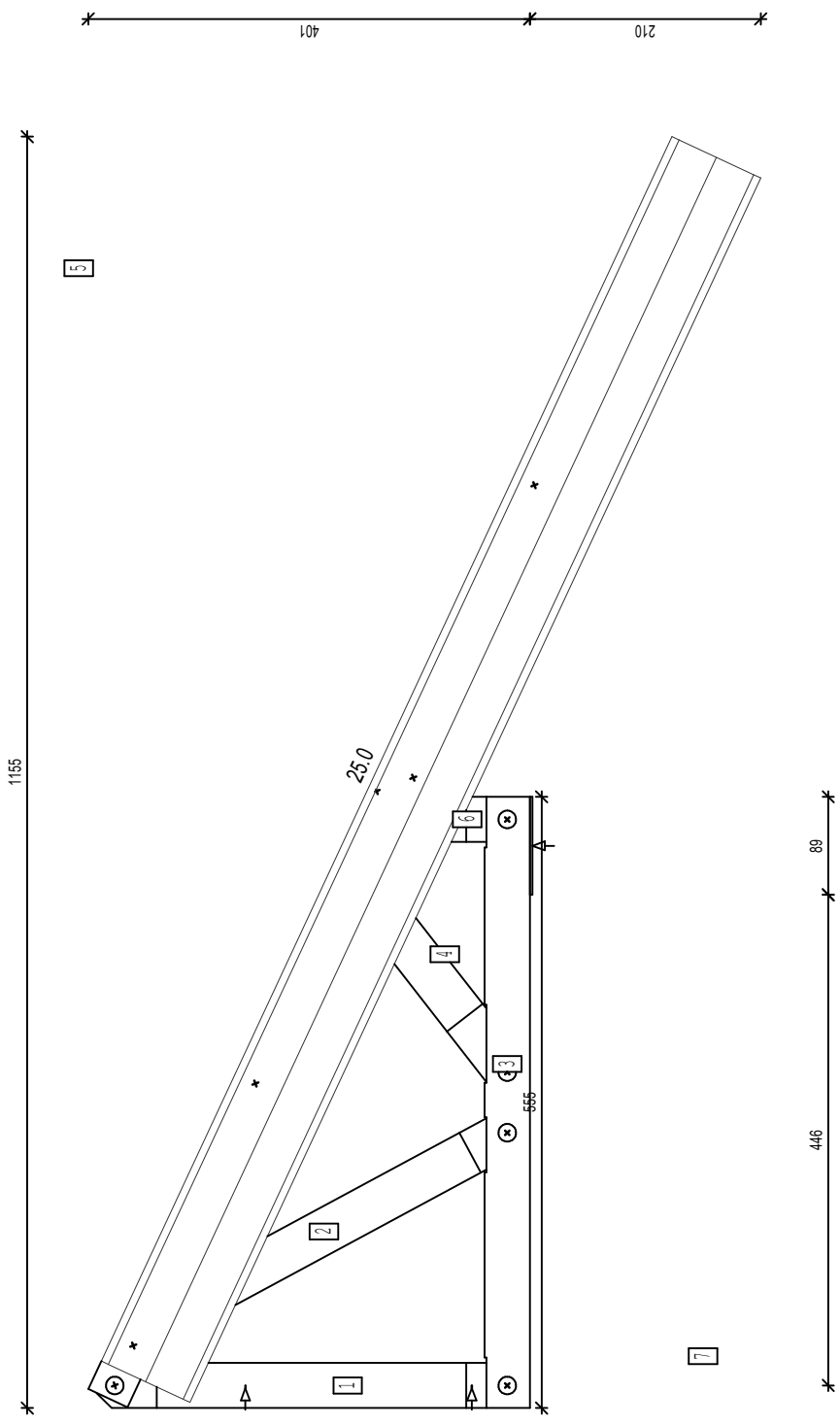
SCHEM. QTY: 2.6



PIECE LIST		
LABEL	QTY MATERIAL	DESCRIPTION LENGTH
1	1	C89-41-0.75 WEB 391
2	1	C89-41-0.75 WEB 412
3	1	C89-41-0.75 BOTTOM CHORD 556
4	1	C89-41-0.75 WEB 261
5	1	C89-41-0.75 TOP CHORD 1156
6	1	C89-41-0.75 WEB 151
7	1	C89-41-0.75 SIDE REINFORCEMENT 1228
QTY: 7		TOTAL LENGTH: 4155mm

Truss: T32 Quantity: 1 PROJECT: TAFE-MA1006640-M PANEL HEIGHT: 619 PANEL WEIGHT: 4.6kg Metframe Australia Pty Ltd 07.09.2024 Customer: TAFE NSW

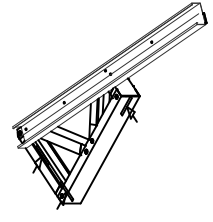
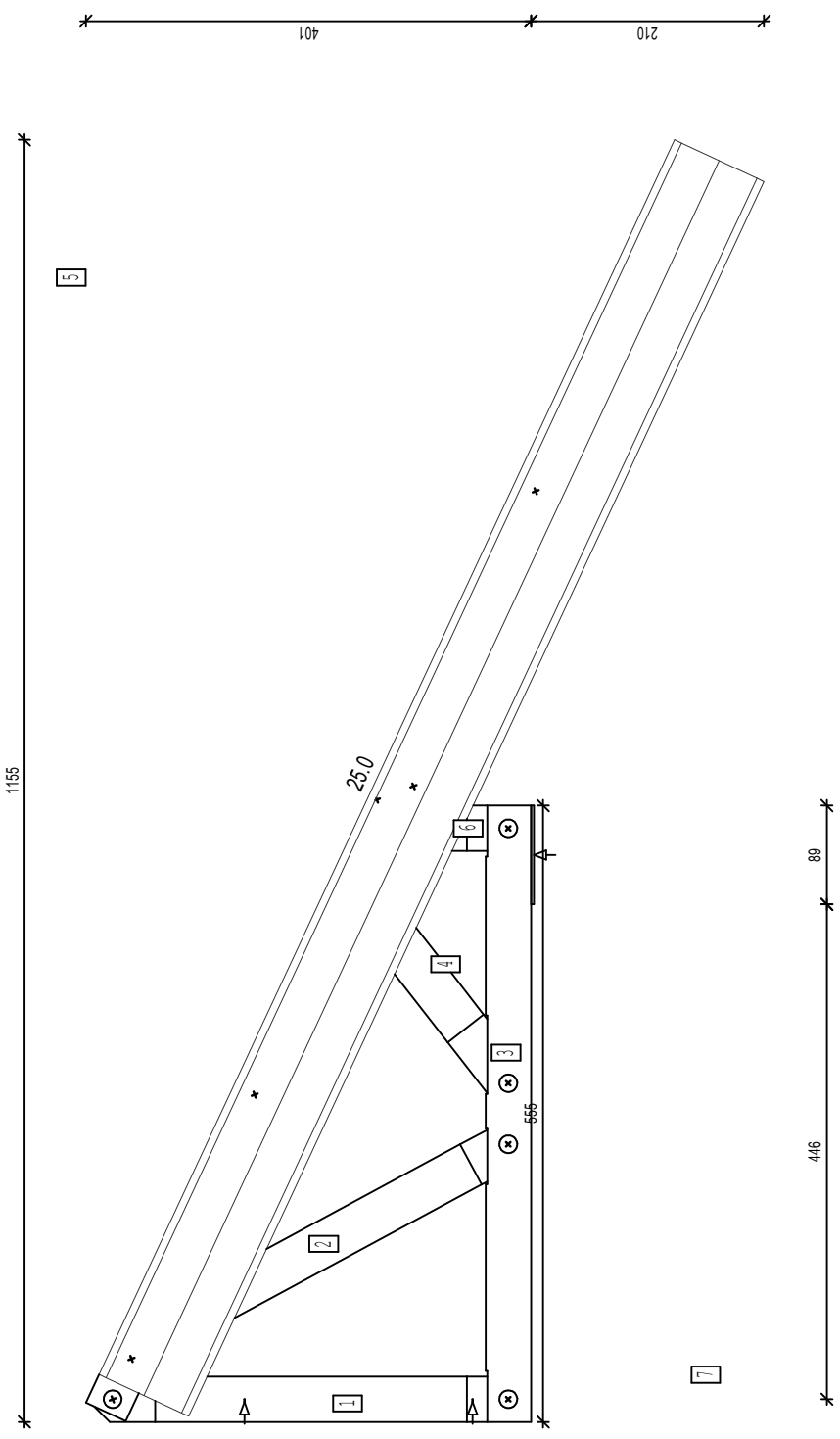
SCHEM. QTY: 2.6



PIECE LIST	QTY	MATERIAL	DESCRIPTION	LENGTH
1	1	C89-41-0.75	WEB	391
2	1	C89-41-0.75	WEB	412
3	1	C89-41-0.75	BOTTOM CHORD	556
4	1	C89-41-0.75	WEB	261
5	1	C89-41-0.75	TOP CHORD	1156
6	1	C89-41-0.75	WEB	151
7	1	C89-41-0.75	SIDE REINFORCEMENT	1228
QTY	7		TOTAL LENGTH	4155mm

Truss: T33 Quantity: 1 PROJECT: TAFE-MA1006640-M PANEL HEIGHT: 619 PANEL WEIGHT: 4.6kg Metframe Australia Pty Ltd 07.09.2024 Customer: TAFE NSW

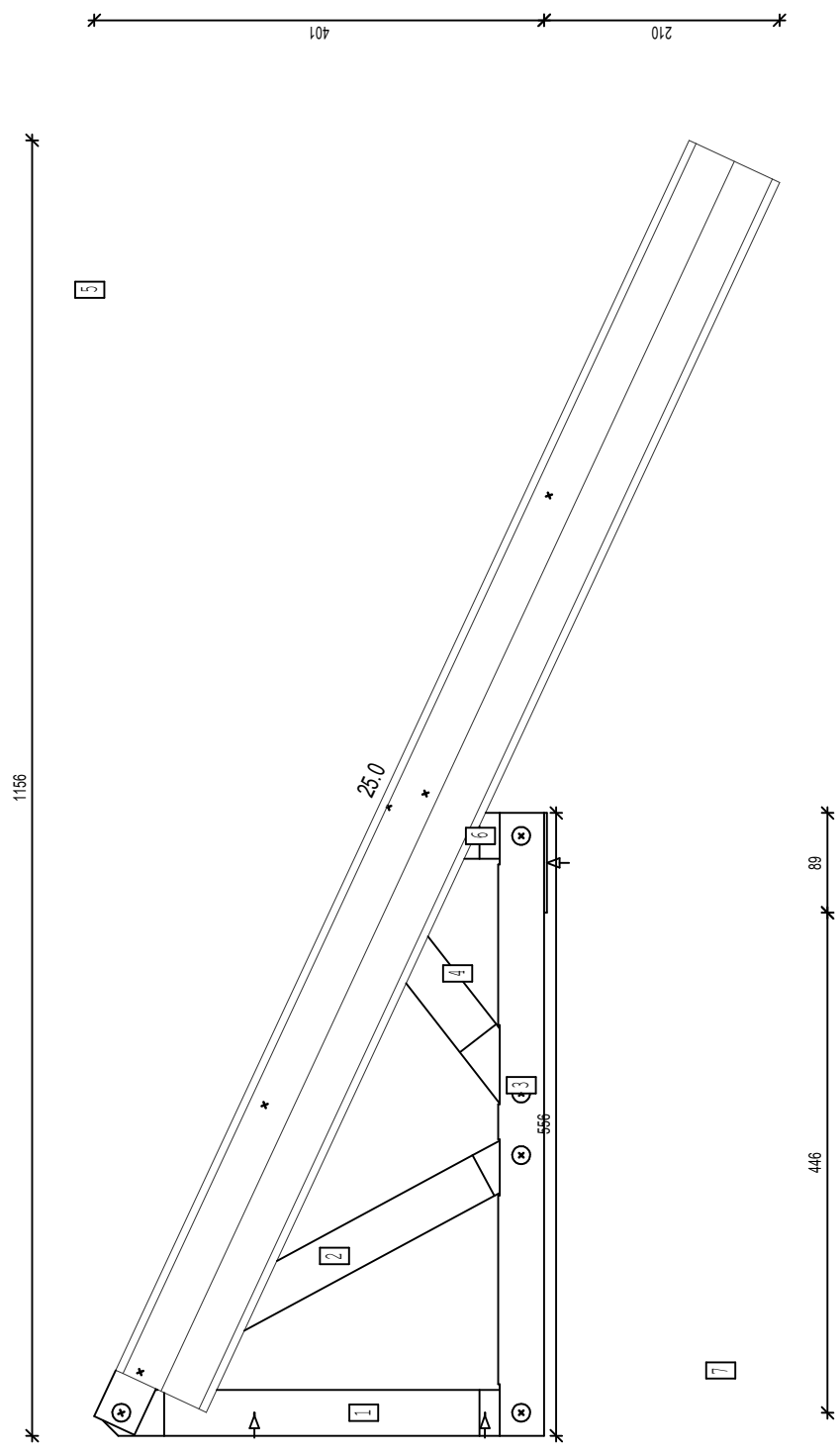
SCHEM. QTY.: 26



PIECE LIST		
LABEL	QTY MATERIAL	DESCRIPTION LENGTH
1	1	C89-41-0.75 WEB 391
2	1	C89-41-0.75 WEB 412
3	1	C89-41-0.75 BOTTOM CHORD 556
4	1	C89-41-0.75 WEB 261
5	1	C89-41-0.75 TOP CHORD 1156
6	1	C89-41-0.75 WEB 151
7	1	C89-41-0.75 SIDE REINFORCEMENT 1228
QTY:	7	TOTAL LENGTH: 4155mm

Truss: T34 Quantity: 1 PROJECT: TAFE-MA1006640-M PANEL HEIGHT: 619 PANEL WEIGHT: 4.6kg Metframe Australia Pty Ltd 07.09.2024 Customer: TAFE NSW

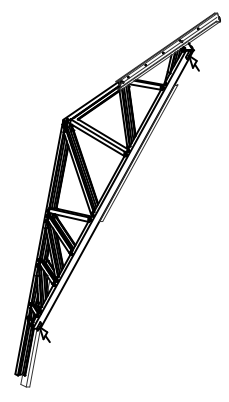
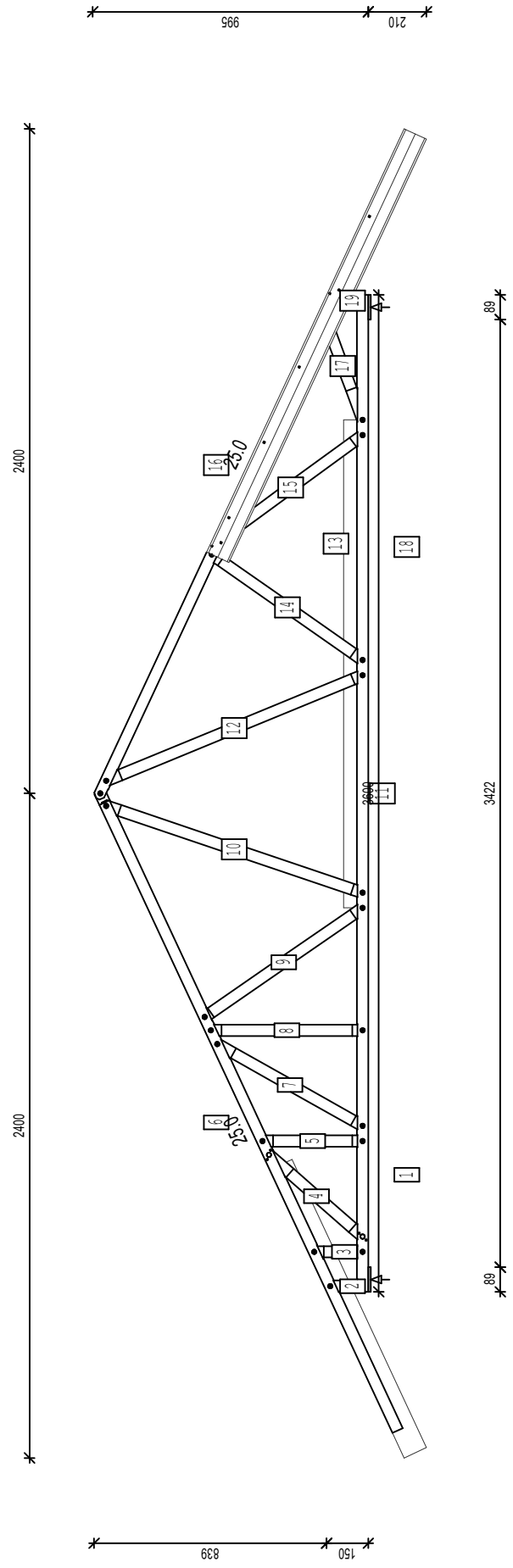
SCHEM. QTY: 26



PIECE LIST				
LABEL	QTY	MATERIAL	DESCRIPTION	LENGTH
1	1	C89-41-0.75	WEB	391
2	1	C89-41-0.75	WEB	412
3	1	C89-41-0.75	BOTTOM CHORD	566
4	1	C89-41-0.75	WEB	261
5	1	C89-41-0.75	TOP CHORD	1156
6	1	C89-41-0.75	WEB	151
7	1	C89-41-0.75	SIDE REINFORCEMENT	1210
QTY			TOTAL LENGTH	4137mm

Truss: T35 Quantity: 1 PROJECT: TAFE-MA1006640-M PANEL HEIGHT: 1199 PANEL WEIGHT: 22.7kg Metframe Australia Pty Ltd
 Spacing: 600 07.09.2024 Customer: TAFE NSW

SCHEM. QTY.: 104



PIECE LIST	LABEL	QTY	MATERIAL	DESCRIPTION	LENGTH
	1	1	C89-41-0.75	SIDE REINFORCE	1148
	2	1	C89-41-0.75	WEB	151
	3	1	C89-41-0.75	WEB	206
	4	1	C89-41-0.75	WEB	478
	5	1	C89-41-0.75	WEB	396
	6	1	C89-41-0.75	TOP CHORD	2357
	7	1	C89-41-0.75	WEB	634
	8	1	C89-41-0.75	WEB	582
	9	1	C89-41-0.75	WEB	726
	10	1	C89-41-0.75	WEB	1012
	11	1	C89-41-0.75	BOTTOM CHORD	3600
	12	1	C89-41-0.75	WEB	1035
	13	1	C89-41-0.75	SIDE REINFORCE	1762
	14	1	C89-41-0.75	WEB	696
	15	1	C89-41-0.75	WEB	676
	16	1	C89-41-0.75	TOP CHORD	2560
	17	1	C89-41-0.75	WEB	434
	18	1	C89-41-0.75	SIDE REINFORCE	1687
	19	1	C89-41-0.75	WEB	151
	QTY. 19			TOTAL LENGTH	20491mm

ROOF PANEL
R1

QUANTITY
1

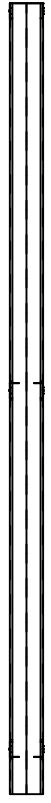
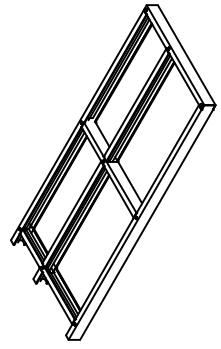
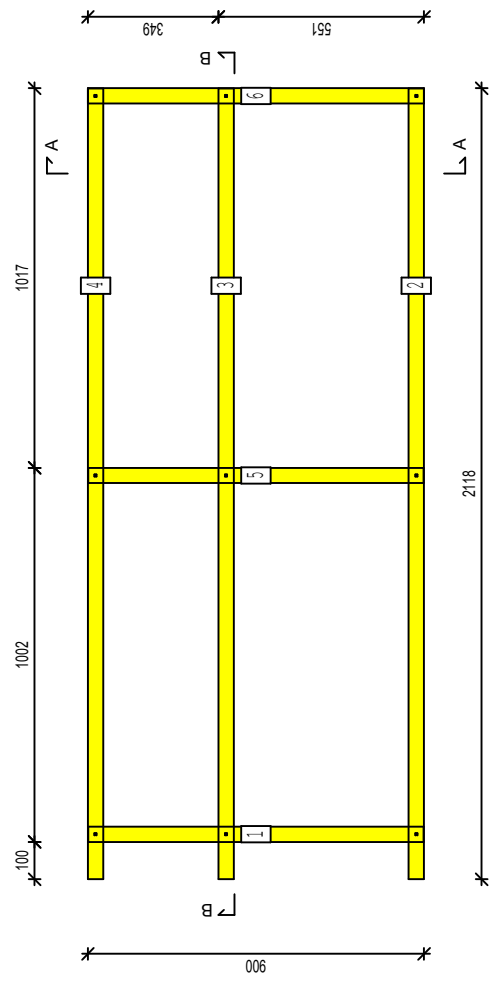
PROJECT
TAFE-MA1006640-M

FRAME WEIGHT - 10.0kg
PANEL WEIGHT - 10.0kg

Melframe Australia Pty Ltd
07.09.2024 Customer: TAFE NSW

SCREEN QTY: 10

PIECE LIST			
LABEL	QTY	DESCRIPTION	LENGTH
1	1	C89-41-0.75 FASCIA BOARD	899
2	1	C89-41-0.75 RAKE	2118
3	1	C89-41-0.75 RAFTER	2118
4	1	C89-41-0.75 RAKE	2118
5	1	C89-41-0.75 BLOCK	899
6	1	C89-41-0.75 RIDGE	900
QTY: 6			TOTAL LENGTH: 9052mm



B-B

ROOF PANEL
R2

QUANTITY
1

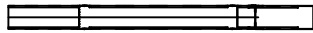
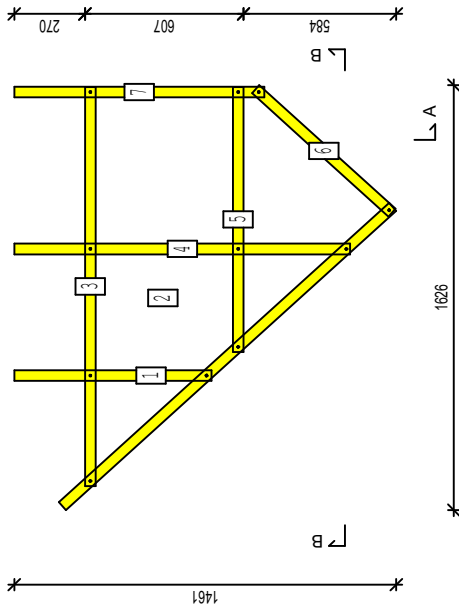
PROJECT
TAFE-MA1006640-M

FRAME WEIGHT - 8.8kg
PANEL WEIGHT - 8.8kg

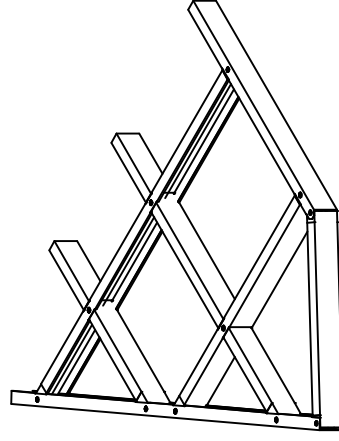
Melframe Australia Pty Ltd
07.09.2024 Customer: TAFE NSW

SCREEN QTY: 22

PIECE LIST			
LABEL	QTY	DESCRIPTION	LENGTH
1	1	C89-41-0.75 RAFTER	755
2	1	C89-41-0.75 HIP RAFTER	1705
3	1	C89-41-0.75 FASCIA BOARD	1527
4	1	C89-41-0.75 RAFTER	1285
5	1	C89-41-0.75 BLOCK	1014
6	1	C89-41-0.75 BLOCK	704
7	1	C89-41-0.75 RAPE	956
QTY	7	TOTAL LENGTH	7946mm



A-A



ROOF PANEL
R3

QUANTITY
1

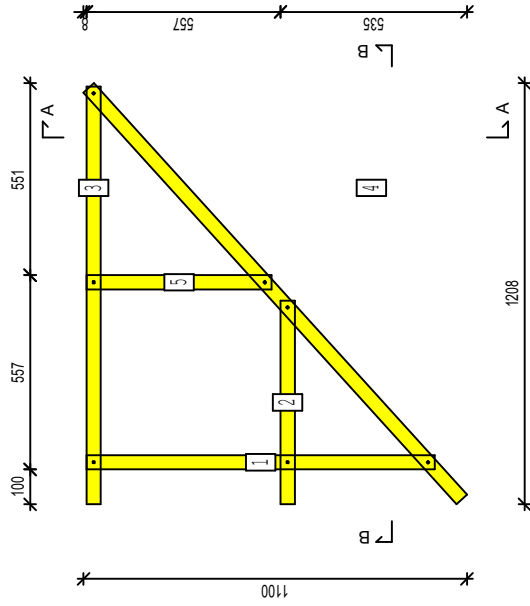
PROJECT
TAFE-MA1006640-M

FRAME WEIGHT - 5.4kg
PANEL WEIGHT - 5.4kg

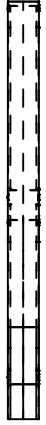
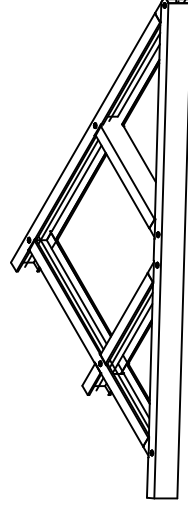
Meltrane Australia Pty Ltd
07.09.2024 Customer: TAFE NSW

SCREEN QTY: 14

PIECE LIST			
LABEL	QTY	DESCRIPTION	LENGTH
1	1	C89-41-0.75	999
2	1	C89-41-0.75	584
3	1	C89-41-0.75	1198
4	1	C89-41-0.75	1993
5	1	C89-41-0.75	531
QTY: 5			TOTAL LENGTH: 4905mm



A-A



B-B

ROOF PANEL
R4

QUANTITY
1

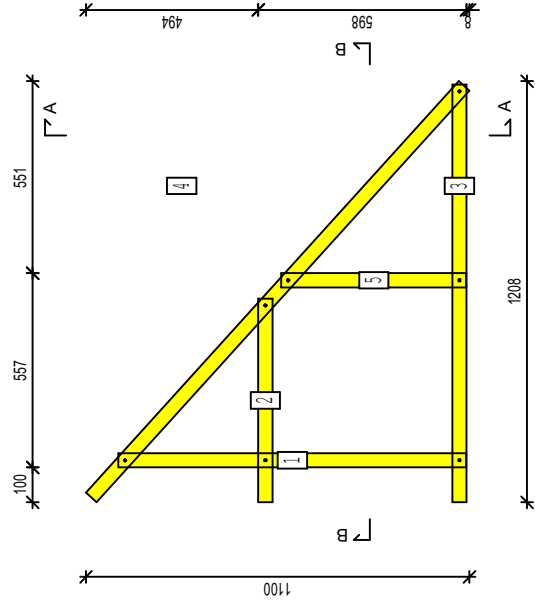
PROJECT
TAFE-MA1006640-M

FRAME WEIGHT - 5.4kg
PANEL WEIGHT - 5.4kg

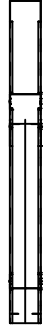
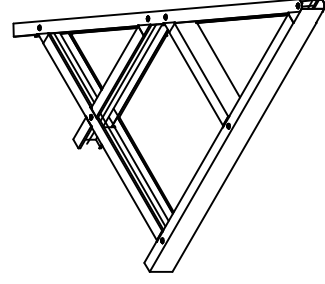
Melfane Australia Pty Ltd
07.09.2024 Customer: TAFE NSW

SCREEN QTY: 14

PIECE LIST				
LABEL	QTY	MATERIAL	DESCRIPTION	LENGTH
1	1	C89-41-0.75	FASCIA BOARD	999
2	1	C89-41-0.75	RAFTER	584
3	1	C89-41-0.75	RAKE	1198
4	1	C89-41-0.75	HIP RAFTER	1593
5	1	C89-41-0.75	BLOCK	531
QTY: 5				TOTAL LENGTH: 4905mm



A-A



B-B

ROOF PANEL
R5

QUANTITY
1

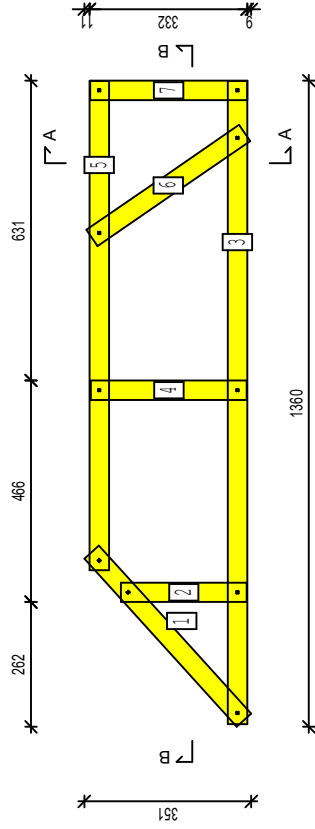
PROJECT
TAFE-MA1006640-M

FRAME WEIGHT - 4.6kg
PANEL WEIGHT - 4.8kg

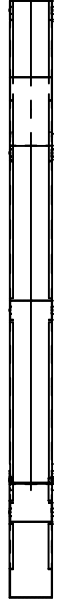
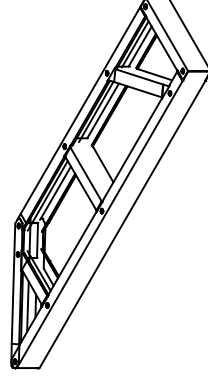
Melframe Australia Pty Ltd
07.09.2024 Customer: TAFE NSW

SCREEN QTY: 20

PIECE LIST			
LABEL	QTY	DESCRIPTION	LENGTH
1	1	C89-41-0.75 BLOCK	478
2	1	C89-41-0.75 FASCIA BOARD	265
3	1	C89-41-0.75 RAKE	1354
4	1	C89-41-0.75 BLOCK	328
5	1	C89-41-0.75 PARTER	1030
6	1	C89-41-0.75 BLOCK	330
7	1	C89-41-0.75 RIDGE	330
QTY	7	TOTAL LENGTH	4175mm



A-A



B-B

ROOF PANEL
R6

QUANTITY
1

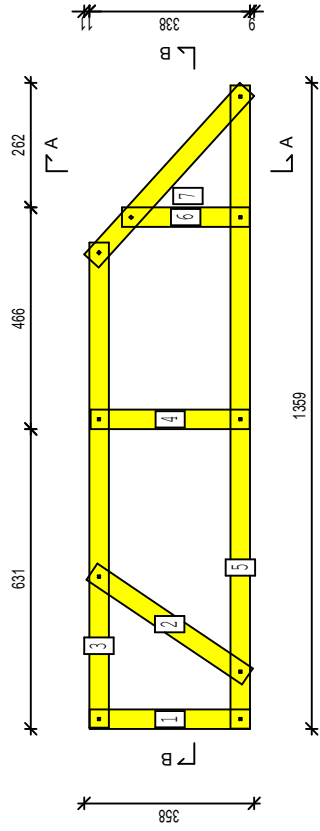
PROJECT
TAFE-MA1006640-M

FRAME WEIGHT - 4.7kg
PANEL WEIGHT - 4.7kg

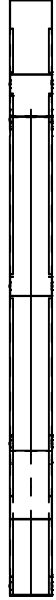
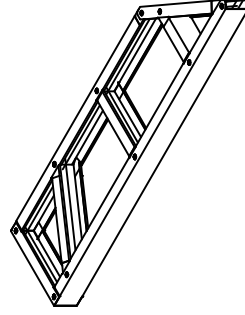
Melframe Australia Pty Ltd
07.09.2024 Customer: TAFE NSW

SCREEN QTY: 20

PIECE LIST				
LABEL	QTY	MATERIAL	DESCRIPTION	LENGTH
1	1	C89-41-0.75	RIDGE	338
2	1	C89-41-0.75	BLOCK	395
3	1	C89-41-0.75	RAFTER	1020
4	1	C89-41-0.75	BLOCK	335
5	1	C89-41-0.75	RAKE	1353
6	1	C89-41-0.75	FASCIA BOARD	262
7	1	C89-41-0.75	RAKE	487
QTY: 7				TOTAL LENGTH - 4197mm



A-A



B-B

ROOF PANEL
R7

QUANTITY
1

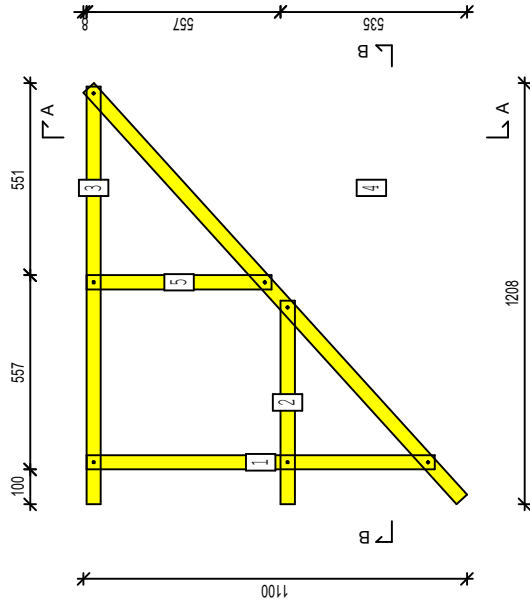
PROJECT
TAFE-MA1006640-M

FRAME WEIGHT - 5.4kg
PANEL WEIGHT - 5.4kg

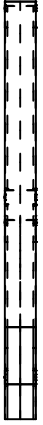
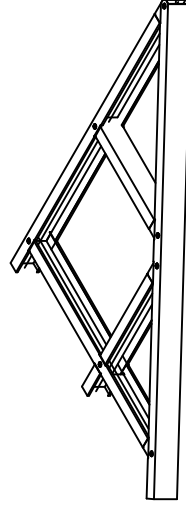
Melbore Australia Pty Ltd
07.09.2024 Customer: TAFE NSW

SCREEN QTY: 14

PIECE LIST				
LABEL	QTY	MATERIAL	DESCRIPTION	LENGTH
1	1	C89-41-0.75	FASCIA BOARD	999
2	1	C89-41-0.75	RAFTER	584
3	1	C89-41-0.75	RAKE	1198
4	1	C89-41-0.75	HIP RAFTER	1993
5	1	C89-41-0.75	BLOCK	531
QTY: 5				TOTAL LENGTH: 4905mm



A-A



B-B

ROOF PANEL
R8

QUANTITY
1

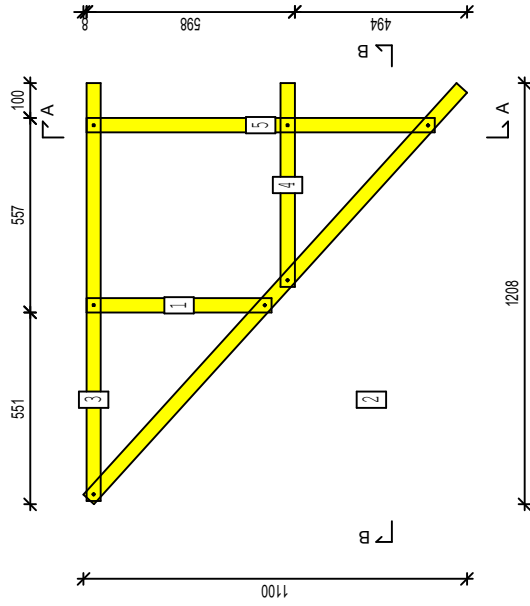
PROJECT
TAFE-MA1006640-M

FRAME WEIGHT - 5.4kg
PANEL WEIGHT - 5.4kg

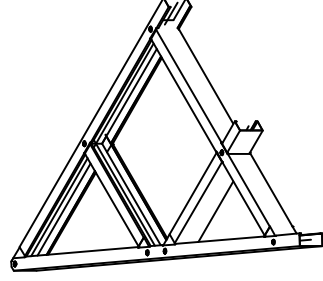
Meltrane Australia Pty Ltd
07.09.2024 Customer: TAFE NSW

SCREEN QTY: 14

PIECE LIST			
LABEL	QTY	DESCRIPTION	LENGTH
1	1	C89-41-0.75 BLOCK	531
2	1	C89-41-0.75 HIP RAFTER	1993
3	1	C89-41-0.75 RAKE	1198
4	1	C89-41-0.75 RAFTER	584
5	1	C89-41-0.75 FASCIA BOARD	999
QTY: 5			TOTAL LENGTH: 4905mm



A-A



ROOF PANEL
R9

QUANTITY
1

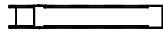
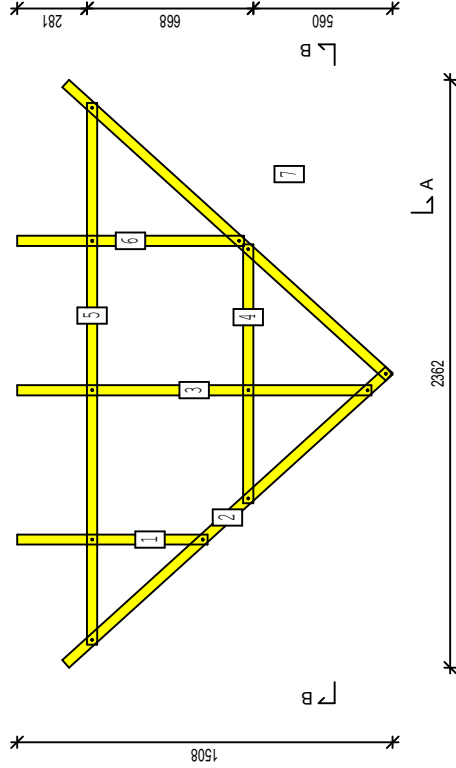
PROJECT
TAFE-MA1006640-M

FRAME WEIGHT - 10.9kg
PANEL WEIGHT - 10.9kg

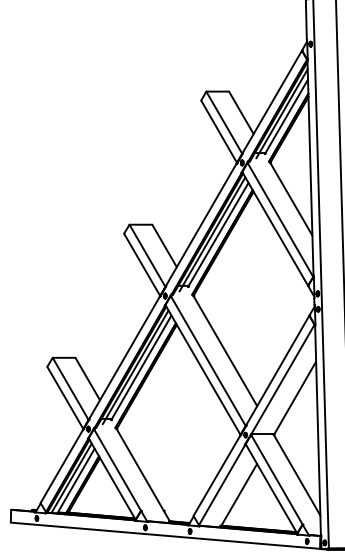
Meltrane Australia Pty Ltd
07.09.2024 Customer: TAFE NSW

SCREEN QTY: 24

PIECE LIST				
LABEL	QTY	MATERIAL	DESCRIPTION	LENGTH
1	1	C89-41-0.75	RAFTER	765
2	1	C89-41-0.75	HIP RAFTER	1754
3	1	C89-41-0.75	RAFTER	1423
4	1	C89-41-0.75	BLOCK	1040
5	1	C89-41-0.75	FASCIA BOARD	2177
6	1	C89-41-0.75	RAFTER	911
7	1	C89-41-0.75	HIP RAFTER	1754
QTY	7		TOTAL LENGTH	9824mm



A-A



B-B

ROOF PANEL
R10

QUANTITY
1

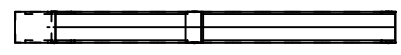
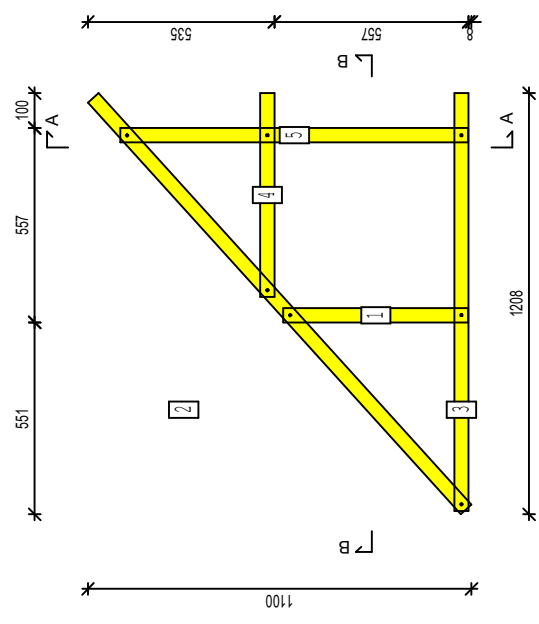
PROJECT
TAFE-MA1006640-M

FRAME WEIGHT - 5.4kg
PANEL WEIGHT - 5.4kg

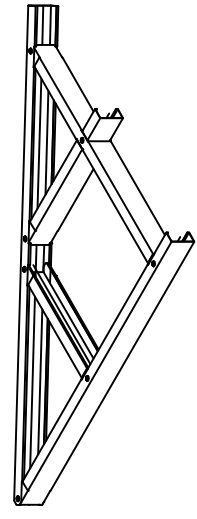
Meltrane Australia Pty Ltd
07.09.2024 Customer: TAFE NSW

SCREEN QTY: 14

PIECE LIST			
LABEL	QTY	DESCRIPTION	LENGTH
1	1	C89-41-0.75 BLOCK	531
2	1	C89-41-0.75 HIP RAFTER	1993
3	1	C89-41-0.75 RAKE	1198
4	1	C89-41-0.75 RAFTER	584
5	1	C89-41-0.75 FASCIA BOARD	999
QTY: 5			TOTAL LENGTH: 4905mm



A-A



B-B

ROOF PANEL
R11

QUANTITY
1

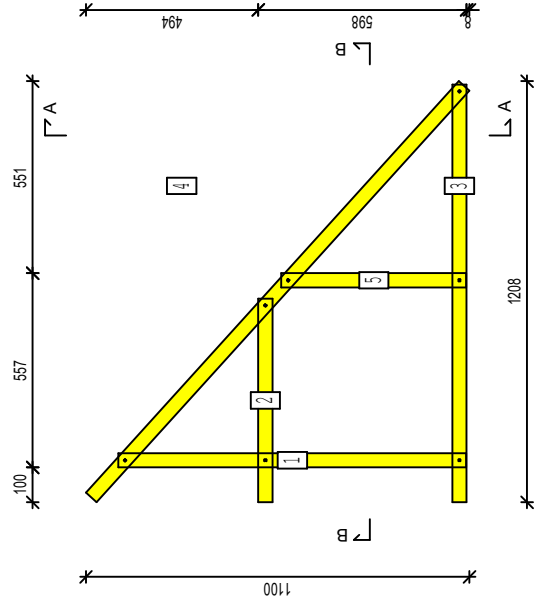
PROJECT
TAFE-MA1006640-M

FRAME WEIGHT - 5.4kg
PANEL WEIGHT - 5.4kg

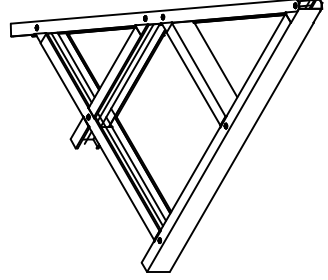
Meltrane Australia Pty Ltd
07.09.2024 Customer: TAFE NSW

SCREEN QTY: 14

PIECE LIST				
LABEL	QTY	MATERIAL	DESCRIPTION	LENGTH
1	1	C89-41-0.75	FASCIA BOARD	999
2	1	C89-41-0.75	RAFTER	584
3	1	C89-41-0.75	RAKE	1198
4	1	C89-41-0.75	HIP RAFTER	1933
5	1	C89-41-0.75	BLOCK	531
QTY: 5				TOTAL LENGTH: 4905mm



A-A



B-B



ROOF PANEL
R13

QUANTITY
1

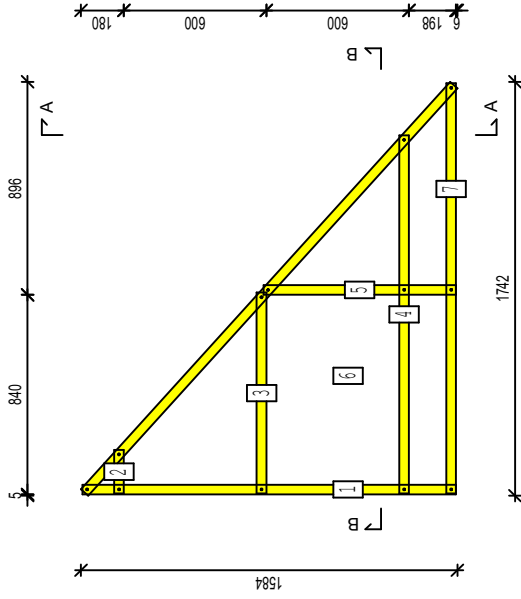
PROJECT
TAFE-MA1006640-M

FRAME WEIGHT - 9.9kg
PANEL WEIGHT - 9.9kg

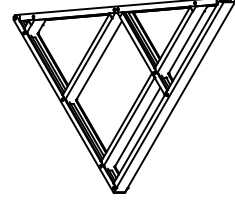
MelFrame Australia Pty Ltd
07.09.2024 Customer: TAFE NSW

SCREEN QTY: 24

PIECE LIST				
LABEL	QTY	MATERIAL	DESCRIPTION	LENGTH
1	1	C89-41-0.75	FASCIA BOARD	1573
2	1	C89-41-0.75	RAFTER	184
3	1	C89-41-0.75	RAFTER	846
4	1	C89-41-0.75	RAFTER	1508
5	1	C89-41-0.75	BLOCK	809
6	1	C89-41-0.75	VALLEY RAFTER	2314
7	1	C89-41-0.75	RAKE	1727
QTY	7	TOTAL LENGTH		8961mm



A-A



B-B

ROOF PANEL
R14

QUANTITY
1

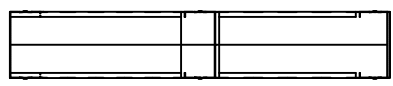
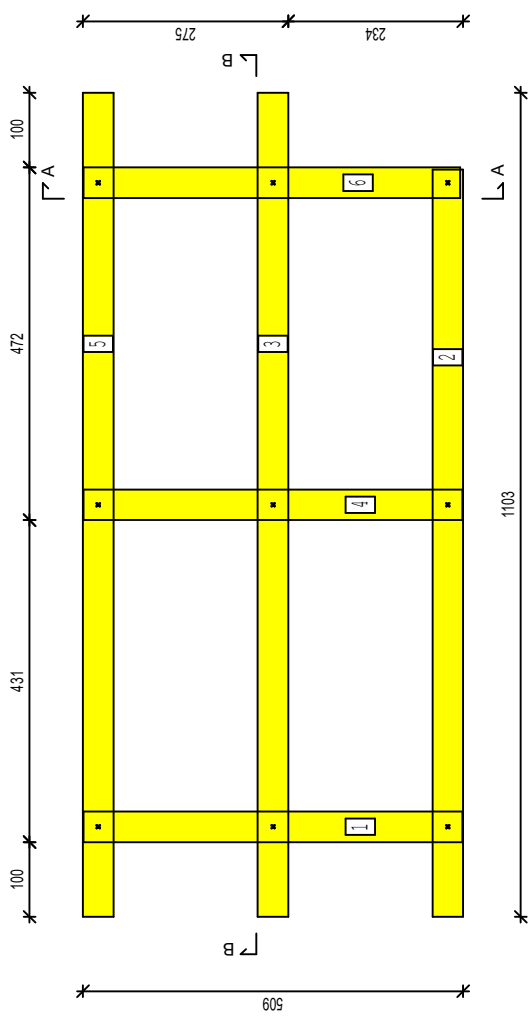
PROJECT
TAFE-MA1006640-M

FRAME WEIGHT - 5.2kg
PANEL WEIGHT - 5.2kg

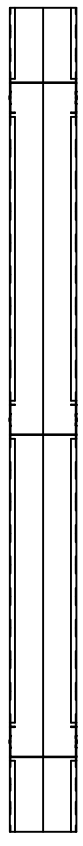
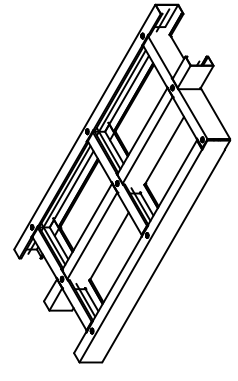
Melfane Australia Pty Ltd
07.09.2024 Customer: TAFE NSW

SCREEN QTY: 10

PIECE LIST				
LABEL	QTY	MATERIAL	DESCRIPTION	LENGTH
1	1	C89-41-0.75	FASCIA BOARD	508
2	1	C89-41-0.75	RAKE	1001
3	1	C89-41-0.75	RAFTER	1103
4	1	C89-41-0.75	BLOCK	508
5	1	C89-41-0.75	RAKE	1103
6	1	C89-41-0.75	FASCIA BOARD	508
QTY: 6				TOTAL LENGTH: 4728mm



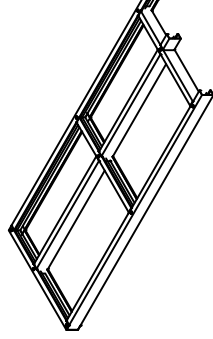
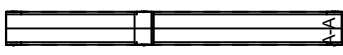
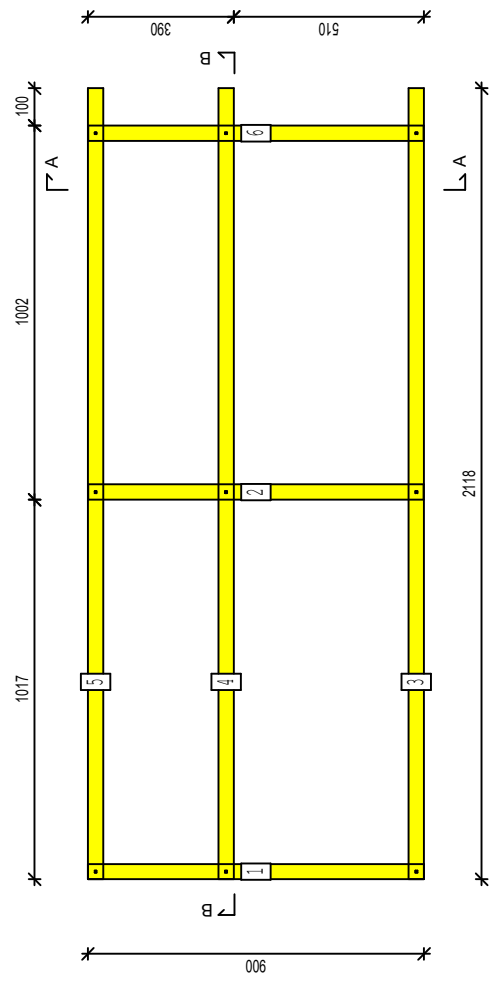
A-A



B-B

SCREEN QTY: 10

PIECE LIST			
LABEL	QTY	DESCRIPTION	LENGTH
1	1	C89-41-0.75 RIDGE	900
2	1	C89-41-0.75 BLOCK	899
3	1	C89-41-0.75 RAKE	2118
4	1	C89-41-0.75 RAFTER	2118
5	1	C89-41-0.75 RAKE	2118
6	1	C89-41-0.75 FASCIA BOARD	899
QTY: 6			TOTAL LENGTH: 9052mm



B-B