

WALL PANEL
E1

QUANTITY
1

PROJECT
TAFE-MA1006640

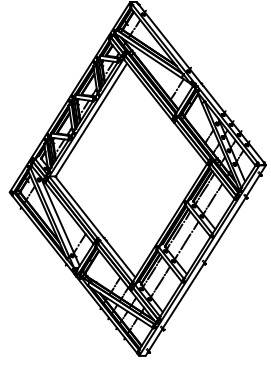
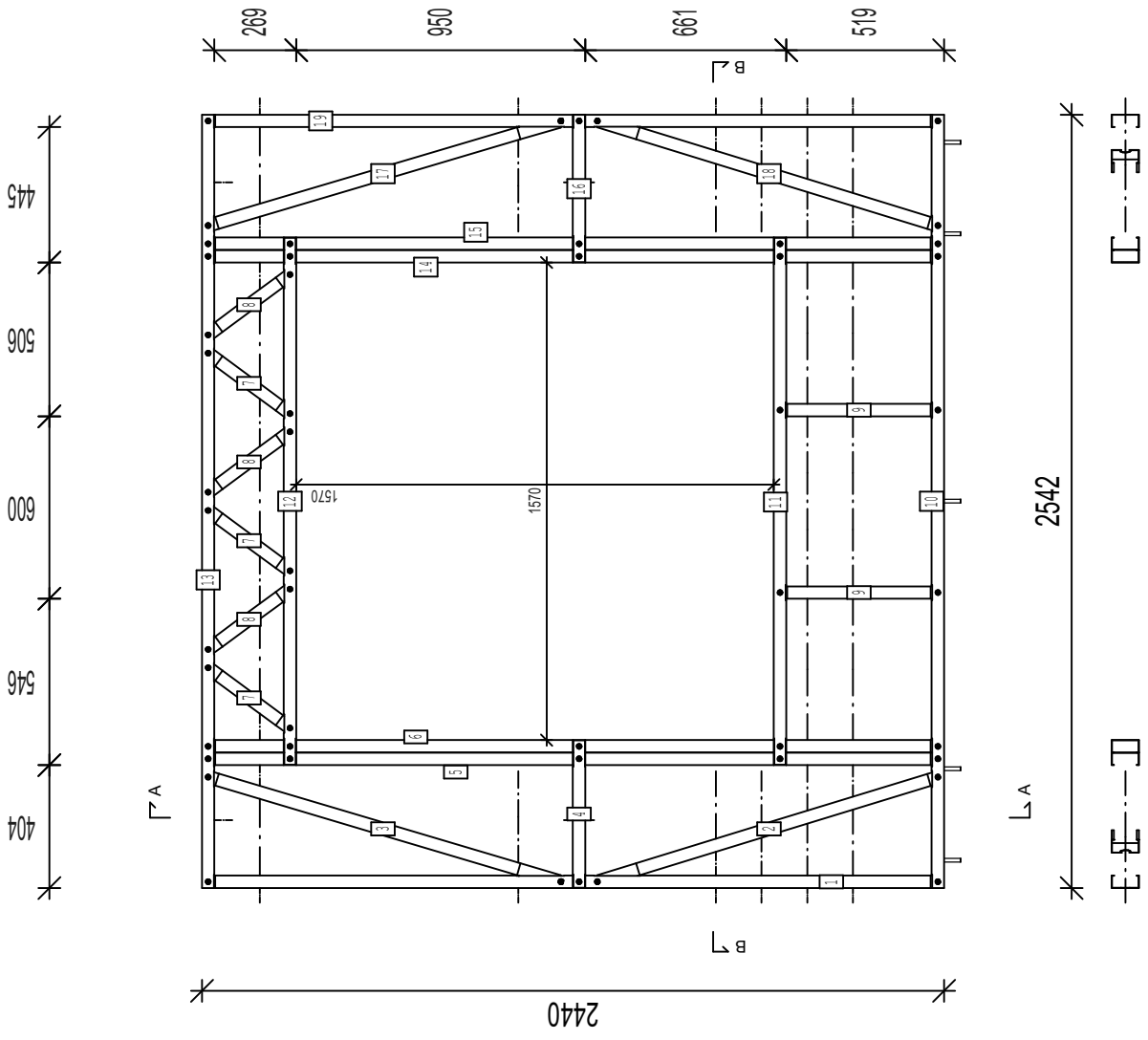
PANEL HEIGHT
2440

FRAME WEIGHT - 35.9kg
PANEL WEIGHT - 35.9kg

Metalframe Australia Pty Ltd
05.06.2023 Customer: TAFE NSW

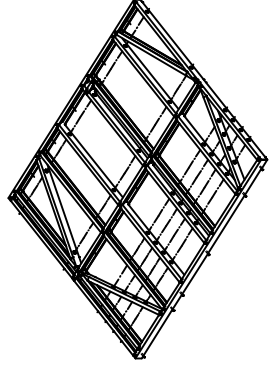
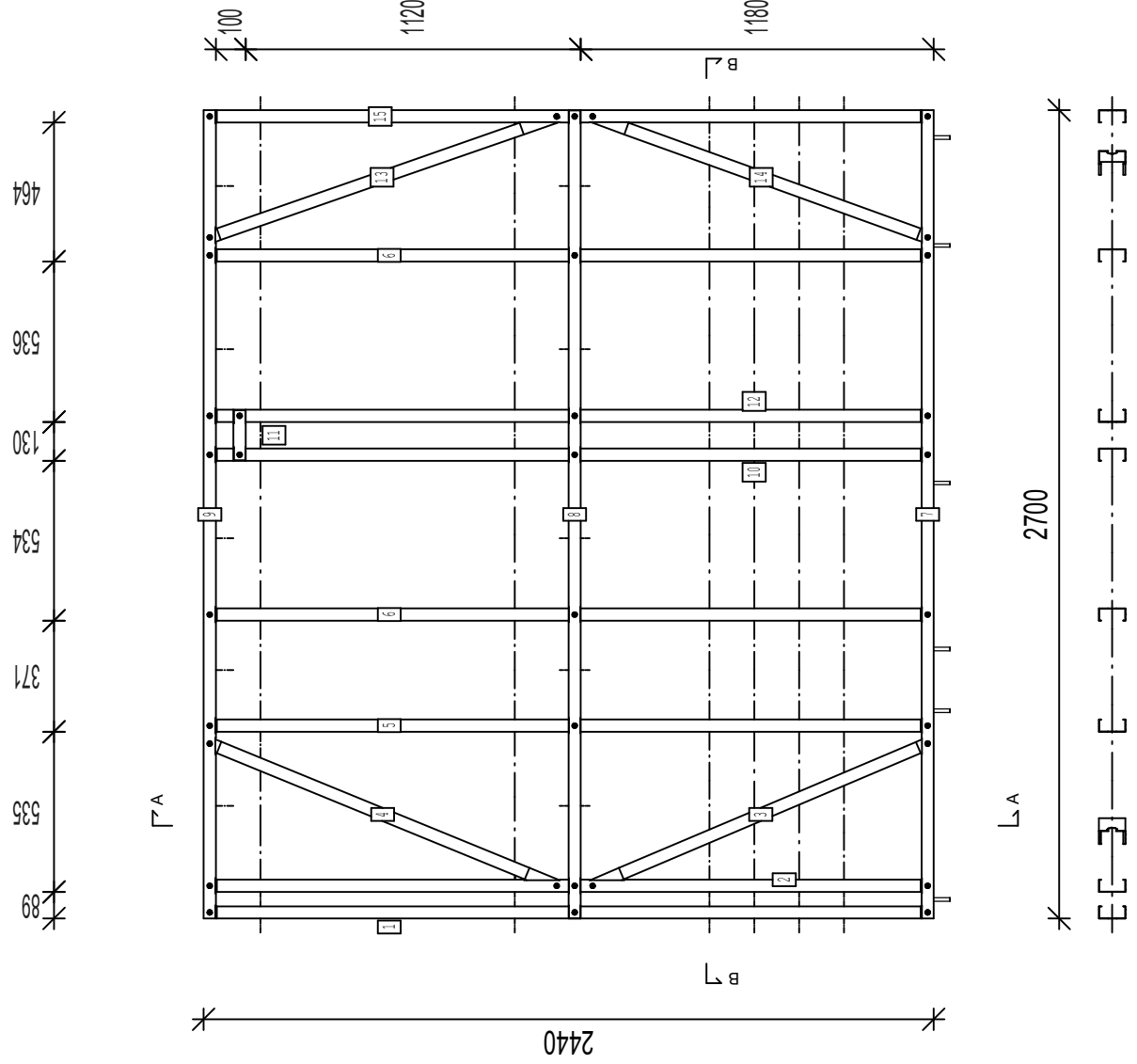
SCREW QTY: 100

PIECE LIST				
LABEL	QTY	MATERIAL	DESCRIPTION	LENGTH
1	1	C88-4-075	STUD	2439
2	1	C88-4-075	DIAGONAL BRACE	1193
3	1	C88-4-075	DIAGONAL BRACE	1231
4	1	C88-4-075	NOGGIN	485
5	1	C88-4-075	KING STUD	2439
6	1	C88-4-075	KING STUD	2439
7	3	C88-4-075	INTERNAL BRACE	367
8	3	C88-4-075	INTERNAL BRACE	367
9	2	C88-4-075	CRIPPLE	569
10	1	C88-4-075	BOTTOM TRACK	2542
11	1	C88-4-075	SILL	1733
12	1	C88-4-075	HEADER	1733
13	1	C88-4-075	TOP TRACK	2542
14	1	C88-4-075	KING STUD	2439
15	1	C88-4-075	KING STUD	2439
16	1	C88-4-075	NOGGIN	485
17	1	C88-4-075	DIAGONAL BRACE	1231
18	1	C88-4-075	DIAGONAL BRACE	1193
19	1	C88-4-075	STUD	2439
QTY/4	TOTAL LENGTH: 3322mm			



SCREW QTY: 68

PIECE LIST				
LABEL	QTY	MATERIAL	DESCRIPTION	LENGTH
1	1	C88-4-075	STUD	2439
2	1	C88-4-075	STUD	2439
3	1	C88-4-075	DIAGONAL BRACE	1247
4	1	C88-4-075	DIAGONAL BRACE	1283
5	1	C88-4-075	STUD	2439
6	2	C88-4-075	STUD	2439
7	1	C88-4-075	BOTTOM TRACK	2700
8	1	C88-4-075	NOGGIN	2689
9	1	C88-4-075	TOP TRACK	2700
10	1	C88-4-075	BACKER STUD	2439
11	1	C88-4-075	TOP TRACK	167
12	1	C88-4-075	BACKER STUD	2439
13	1	C88-4-075	DIAGONAL BRACE	1251
14	1	C88-4-075	DIAGONAL BRACE	1274
15	1	C88-4-075	STUD	2439
QTY 16	TOTAL LENGTH: 32773mm			



WALL PANEL
E3

QUANTITY
1

PROJECT
TAFE-MA1006640

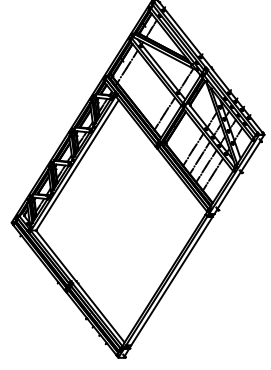
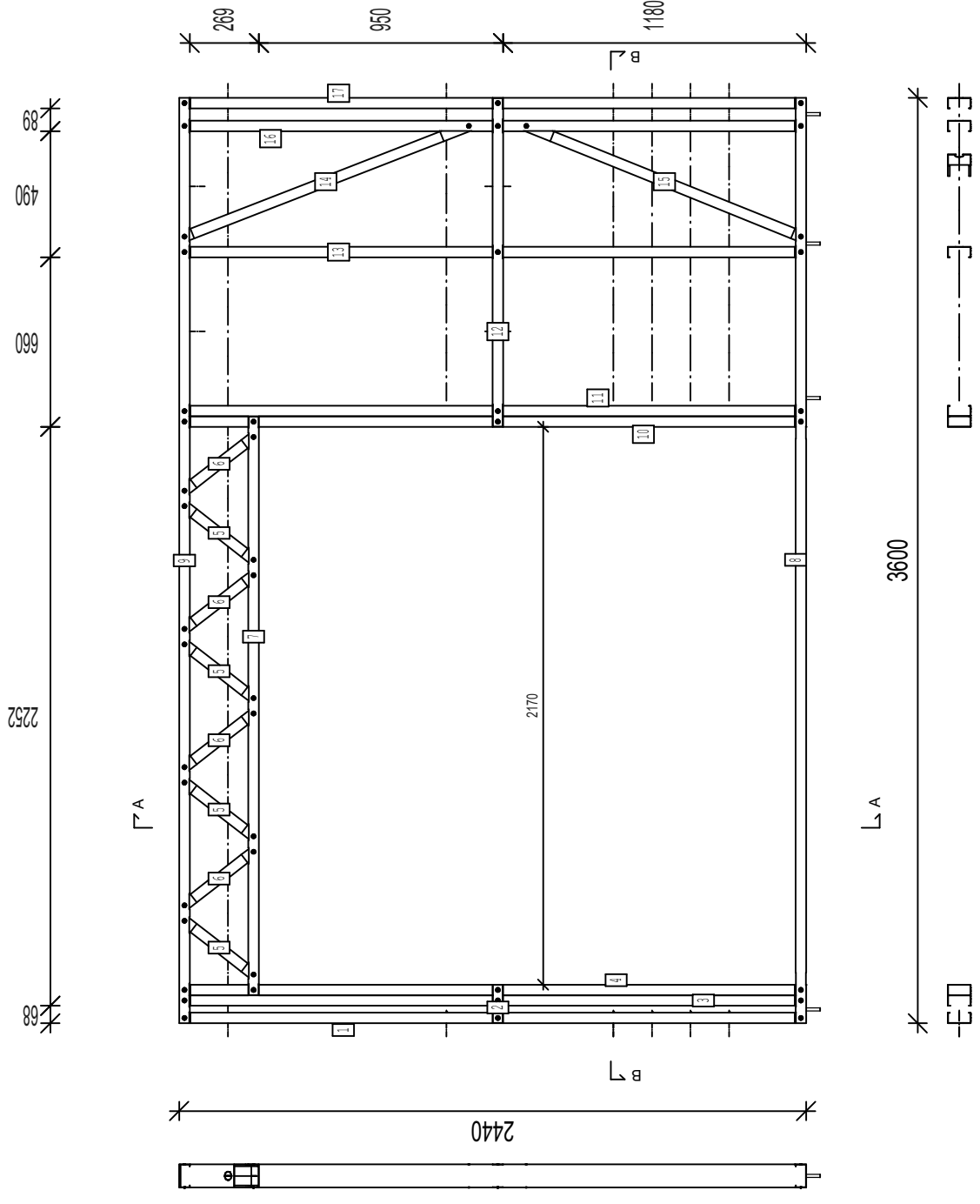
PANEL HEIGHT
2440

FRAME WEIGHT - 39.7kg
PANEL WEIGHT - 39.7kg

MelFrame Australia Pty Ltd
05.06.2023 Customer: TAFE NSW

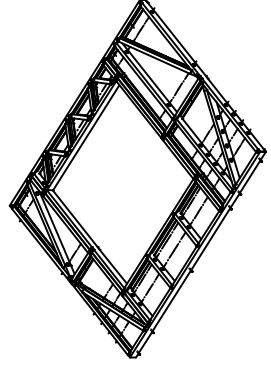
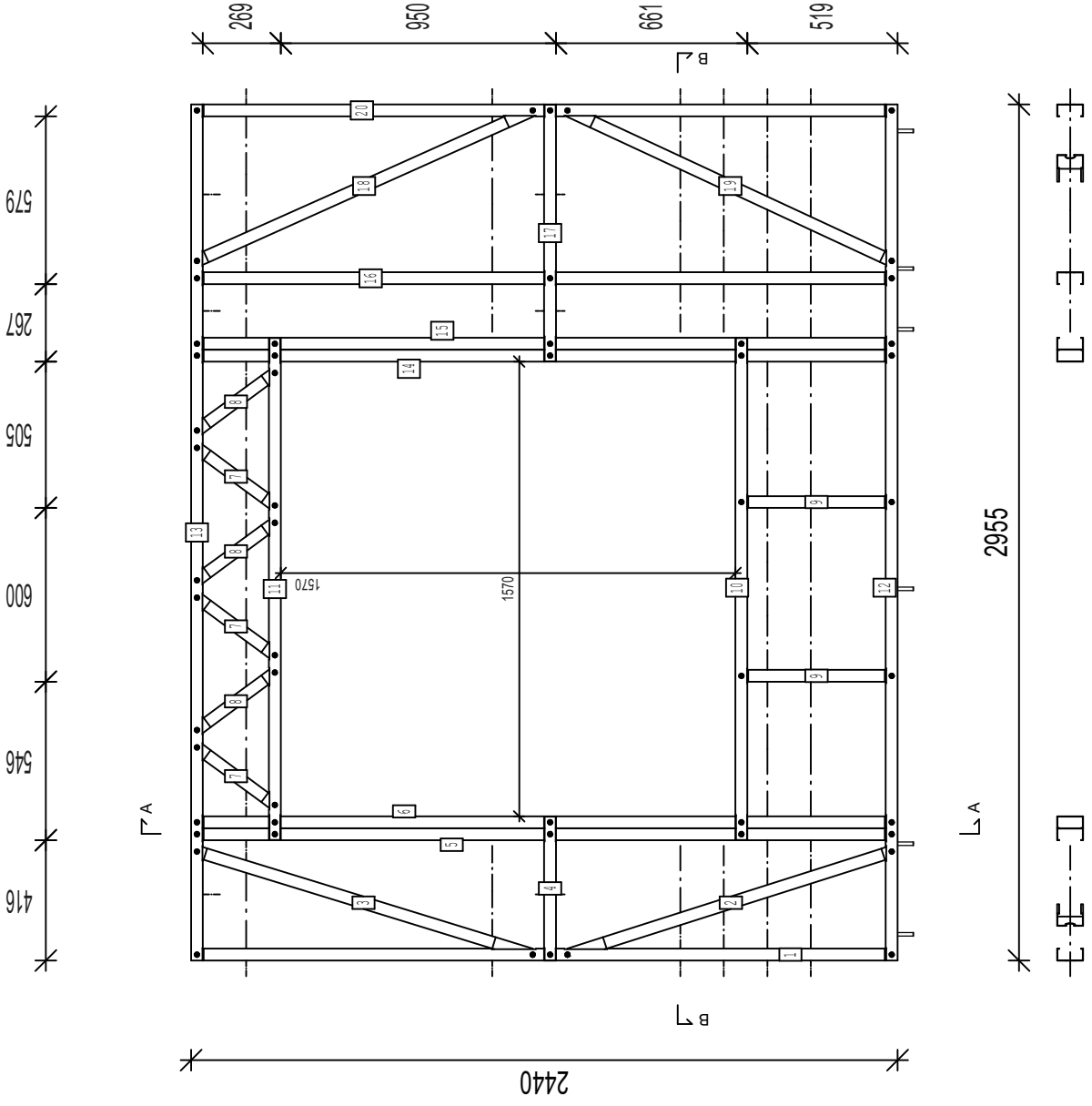
SCREW QTY: 92

PIECE LIST				
LABEL	QTY	MATERIAL	DESCRIPTION	LENGTH
1	1	C88-4-0.75	STUD	2439
2	1	C88-4-0.75	NOGGIN	149
3	1	C88-4-0.75	KING STUD	2439
4	1	C88-4-0.75	KING STUD	2439
5	4	C88-4-0.75	INTERNAL BRACE	373
6	4	C88-4-0.75	INTERNAL BRACE	373
7	1	C88-4-0.75	HEADER	2251
8	1	C88-4-0.75	BOTTOM TRACK	3600
9	1	C88-4-0.75	TOP TRACK	3600
10	1	C88-4-0.75	KING STUD	2439
11	1	C88-4-0.75	KING STUD	2439
12	1	C88-4-0.75	NOGGIN	1279
13	1	C88-4-0.75	STUD	2439
14	1	C88-4-0.75	DIAGONAL BRACE	1212
15	1	C88-4-0.75	DIAGONAL BRACE	1177
16	1	C88-4-0.75	STUD	2439
17	1	C88-4-0.75	STUD	2439
QTY 23	TOTAL LENGTH: 85764mm			



SCREW QTY: 06

PIECE LIST				
LABEL	QTY	MATERIAL	DESCRIPTION	LENGTH
1	1	C88-4-075	STUD	2439
2	1	C88-4-075	DIAGONAL BRACE	1197
3	1	C88-4-075	DIAGONAL BRACE	1235
4	1	C88-4-075	NOGGIN	497
5	1	C88-4-075	KING STUD	2439
6	1	C88-4-075	KING STUD	2439
7	3	C88-4-075	INTERNAL BRACE	367
8	3	C88-4-075	INTERNAL BRACE	367
9	2	C88-4-075	CRIPPLE	559
10	1	C88-4-075	SILL	1733
11	1	C88-4-075	HEADER	1733
12	1	C88-4-075	BOTTOM TRACK	2356
13	1	C88-4-075	TOP TRACK	2356
14	1	C88-4-075	KING STUD	2439
15	1	C88-4-075	KING STUD	2439
16	1	C88-4-075	STUD	2439
17	1	C88-4-075	NOGGIN	886
18	1	C88-4-075	DIAGONAL BRACE	1297
19	1	C88-4-075	DIAGONAL BRACE	1261
20	1	C88-4-075	STUD	2439
TOTAL LENGTH: 36144mm				



WALL PANEL
E5

QUANTITY
1

PROJECT
TAFE-MA1006640

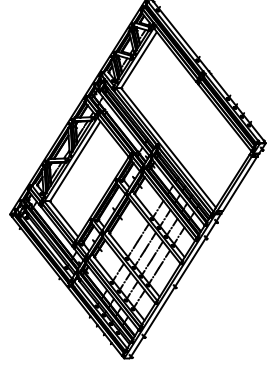
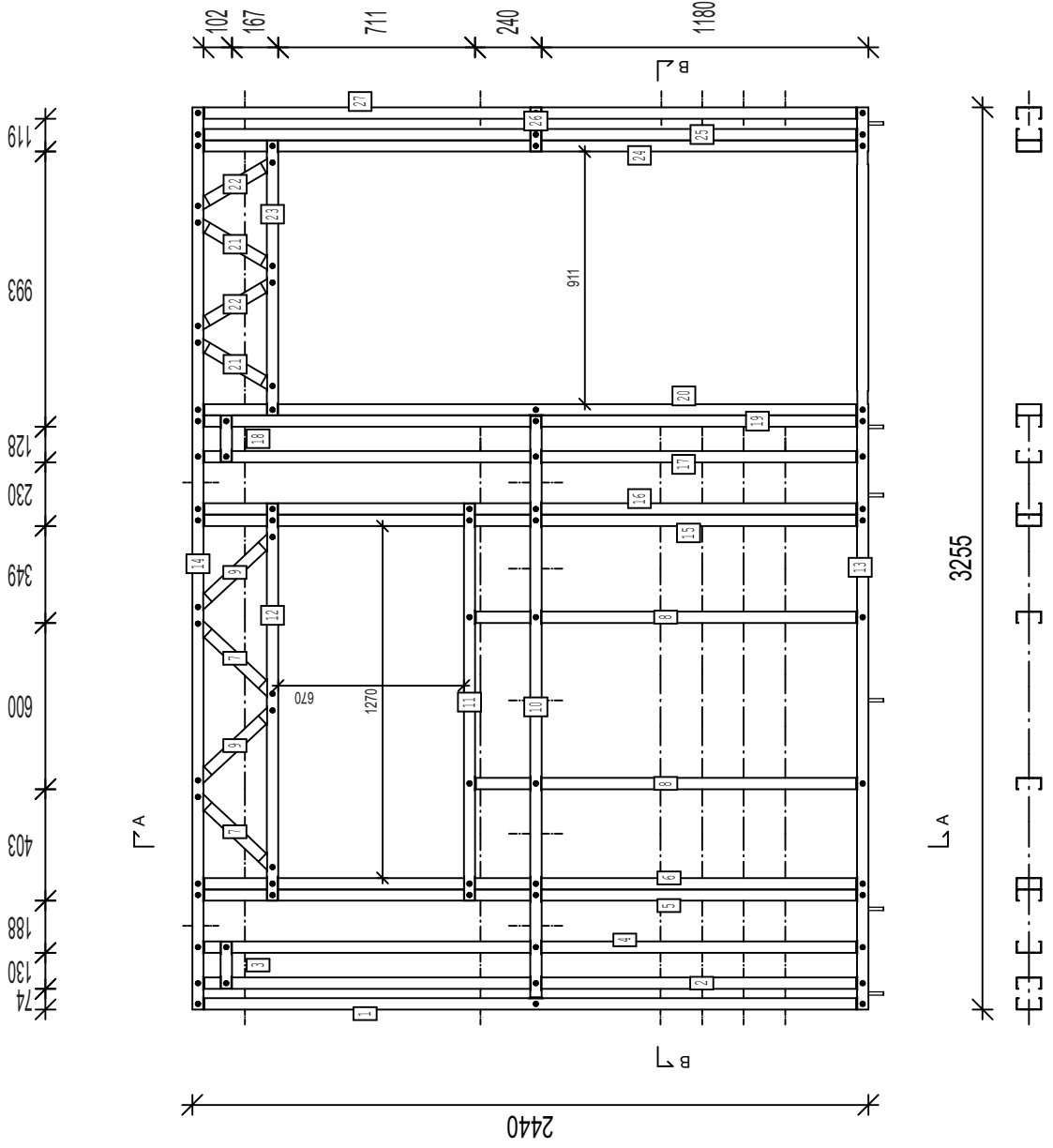
PANEL HEIGHT
2440

FRAME WEIGHT - 56.2kg
PANEL WEIGHT - 56.2kg

Meframe Australia Pty Ltd
05.06.2023 Customer: TAFE NSW

SCREW QTY: 150

PIECE LIST				
LABEL	QTY	MATERIAL	DESCRIPTION	LENGTH
1	1	C88-4-075	STUD	2435
2	1	C88-4-075	BACKER STUD	2435
3	1	C88-4-075	TOP TRACK	169
4	1	C88-4-075	BACKER STUD	2435
5	1	C88-4-075	KING STUD	2435
6	1	C88-4-075	KING STUD	2435
7	2	C88-4-075	INTERNAL BRACE	406
8	2	C88-4-075	CRIPPLE	1457
9	2	C88-4-075	INTERNAL BRACE	406
10	1	C88-4-075	NOGGIN	2179
11	1	C88-4-075	SILL	1433
12	1	C88-4-075	HEADER	1433
13	1	C88-4-075	BOTTOM TRACK	3256
14	1	C88-4-075	TOP TRACK	3256
15	1	C88-4-075	KING STUD	2435
16	1	C88-4-075	KING STUD	2435
17	1	C88-4-075	STUD	2435
18	1	C88-4-075	TOP TRACK	166
19	1	C88-4-075	KING STUD	2439
20	1	C88-4-075	KING STUD	2439
21	2	C88-4-075	INTERNAL BRACE	343
22	2	C88-4-075	INTERNAL BRACE	343
23	1	C88-4-075	HEADER	92
24	1	C88-4-075	KING STUD	2439
25	1	C88-4-075	KING STUD	2439
26	1	C88-4-075	NOGGIN	159
27	1	C88-4-075	STUD	2439
QTY 32		TOTAL LENGTH 5828mm		



WALL PANEL
E6

QUANTITY
1

PROJECT
TAFE-MA1006640

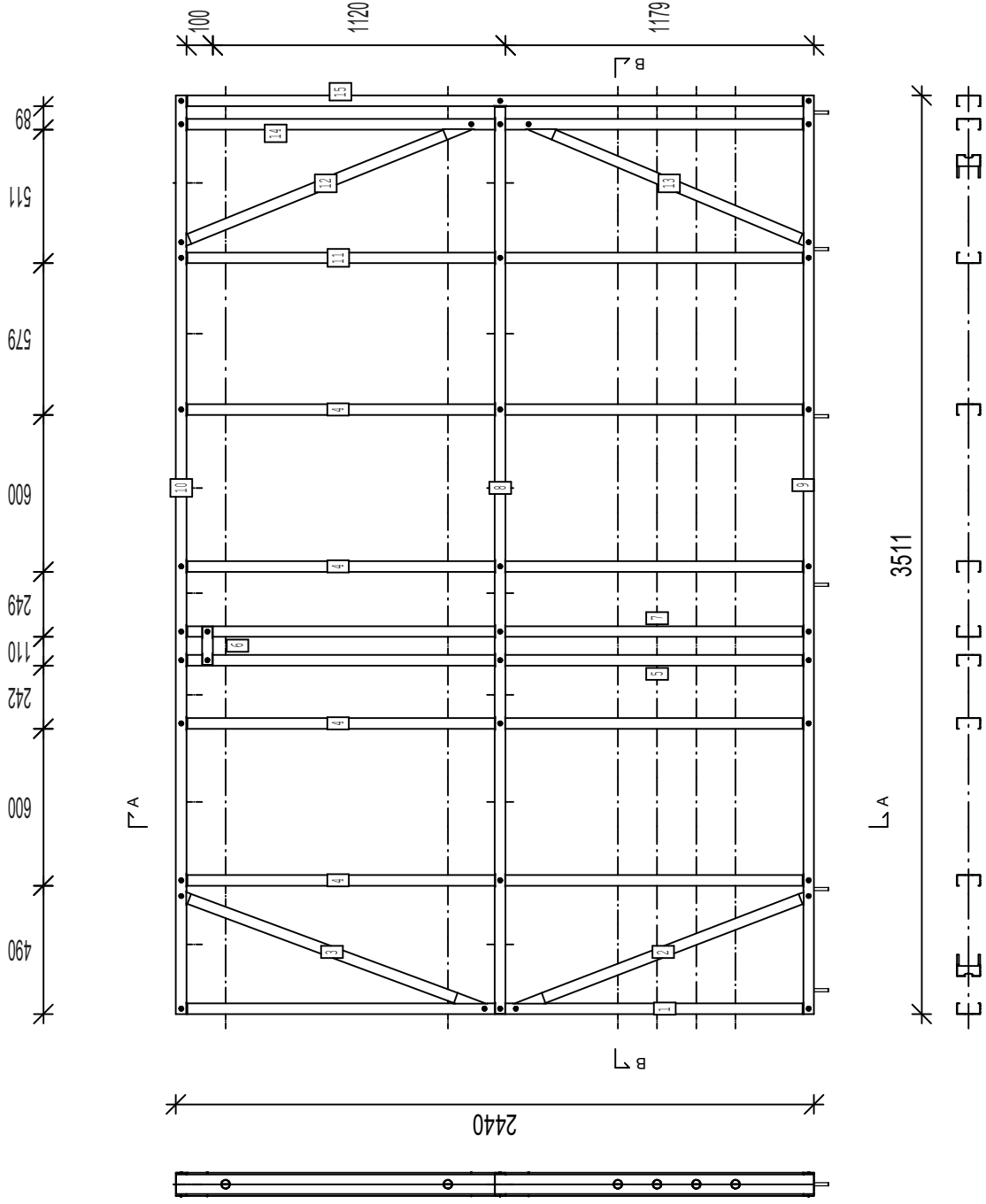
PANEL HEIGHT
2440

FRAME WEIGHT - 44.3kg
PANEL WEIGHT - 44.3kg

Meframe Australia Pty Ltd
05.06.2023 Customer: TAFE NSW

SCREW QTY: 80

PIECE LIST				
LABEL	QTY	MATERIAL	DESCRIPTION	LENGTH
1	1	C88-4-075	STUD	2439
2	1	C88-4-075	DIAGONAL BRACE	1224
3	1	C88-4-075	DIAGONAL BRACE	1261
4	4	C88-4-075	STUD	2439
5	1	C88-4-075	BACKER STUD	2439
6	1	C88-4-075	TOP TRACK	146
7	1	C88-4-075	BACKER STUD	2439
8	1	C88-4-075	NOGGIN	3508
9	1	C88-4-075	BOTTOM TRACK	3511
10	1	C88-4-075	TOP TRACK	3511
11	1	C88-4-075	STUD	2435
12	1	C88-4-075	DIAGONAL BRACE	1227
13	1	C88-4-075	DIAGONAL BRACE	1192
14	1	C88-4-075	STUD	2435
15	1	C88-4-075	STUD	2435
TOTAL LENGTH: 3953mm				



WALL PANEL
E7

QUANTITY
1

PROJECT
TAFE-MA1006640

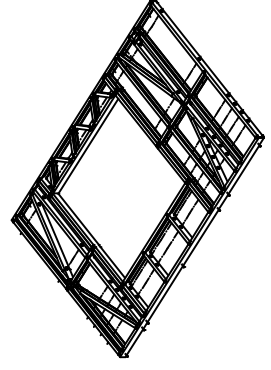
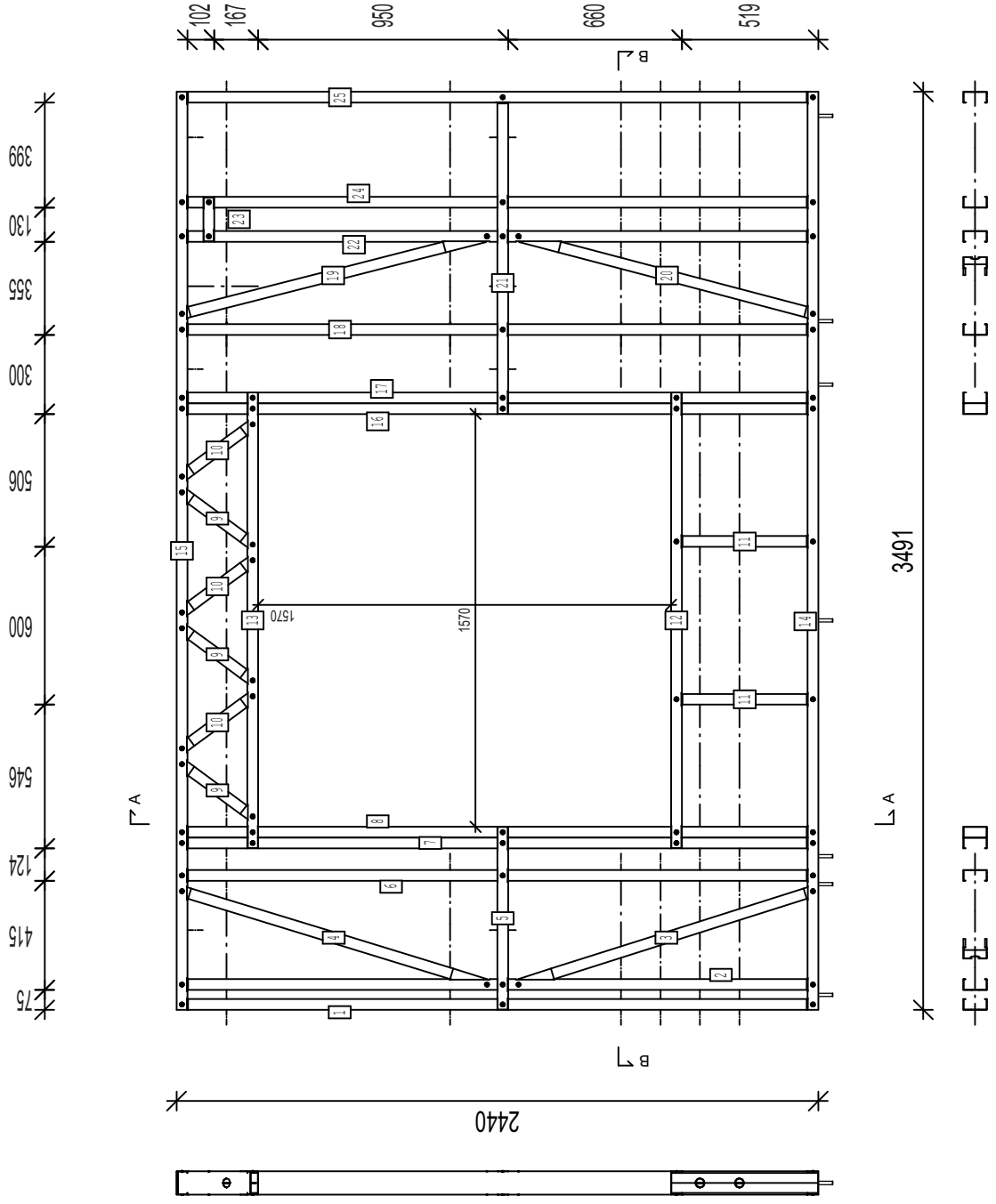
PANEL HEIGHT
2440

FRAME WEIGHT - 52.7kg
PANEL WEIGHT - 52.7kg

MelFrame Australia Pty Ltd
05.06.2023 Customer: TAFE NSW

SCREW QTY: 34

PIECE LIST				
LABEL	QTY	MATERIAL	DESCRIPTION	LENGTH
1	1	C88-4-075	STUD	2439
2	1	C88-4-075	STUD	2439
3	1	C88-4-075	DIAGONAL BRACE	1201
4	1	C88-4-075	DIAGONAL BRACE	1238
5	1	C88-4-075	NOGGIN	685
6	1	C88-4-075	STUD	2439
7	1	C88-4-075	KING STUD	2439
8	1	C88-4-075	KING STUD	2439
9	3	C88-4-075	INTERNAL BRACE	367
10	3	C88-4-075	INTERNAL BRACE	367
11	2	C88-4-075	CRIPPLE	559
12	1	C88-4-075	SILL	1733
13	1	C88-4-075	HEADER	1733
14	1	C88-4-075	BOTTOM TRACK	3491
15	1	C88-4-075	TOP TRACK	3491
16	1	C88-4-075	KING STUD	2439
17	1	C88-4-075	KING STUD	2439
18	1	C88-4-075	STUD	2435
19	1	C88-4-075	DIAGONAL BRACE	1221
20	1	C88-4-075	DIAGONAL BRACE	1183
21	1	C88-4-075	NOGGIN	1222
22	1	C88-4-075	BACKER STUD	2435
23	1	C88-4-075	TOP TRACK	166
24	1	C88-4-075	BACKER STUD	2435
25	1	C88-4-075	STUD	2435
TOTAL LENGTH: 47507mm				QTY: 30



WALL PANEL
E8

QUANTITY
1

PROJECT
TAFE-MA1006640

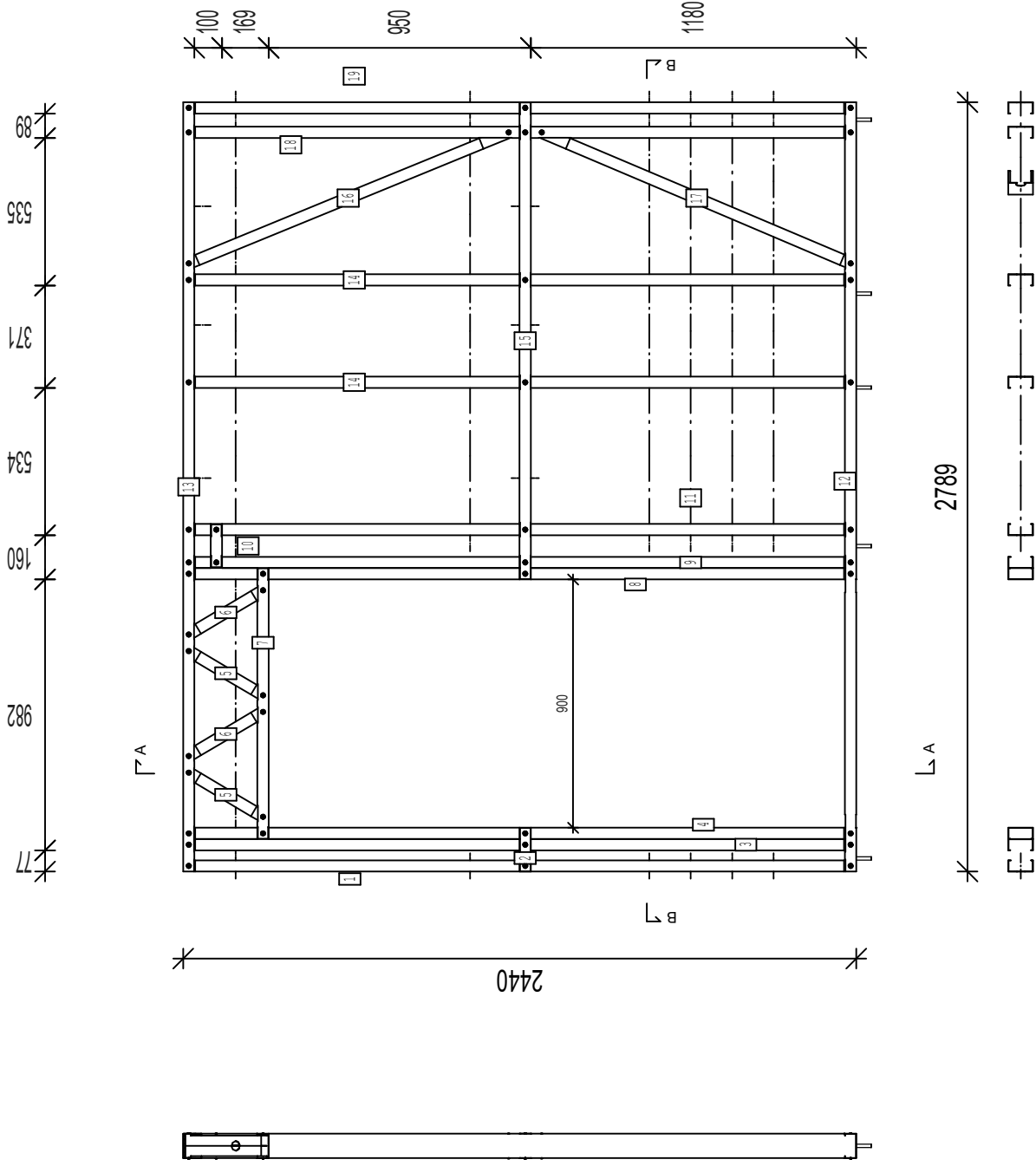
PANEL HEIGHT
2440

FRAME WEIGHT - 41.0kg
PANEL WEIGHT - 41.0kg

MelFrame Australia Pty Ltd
05.06.2023 Customer: TAFE NSW

SCREW QTY: 92

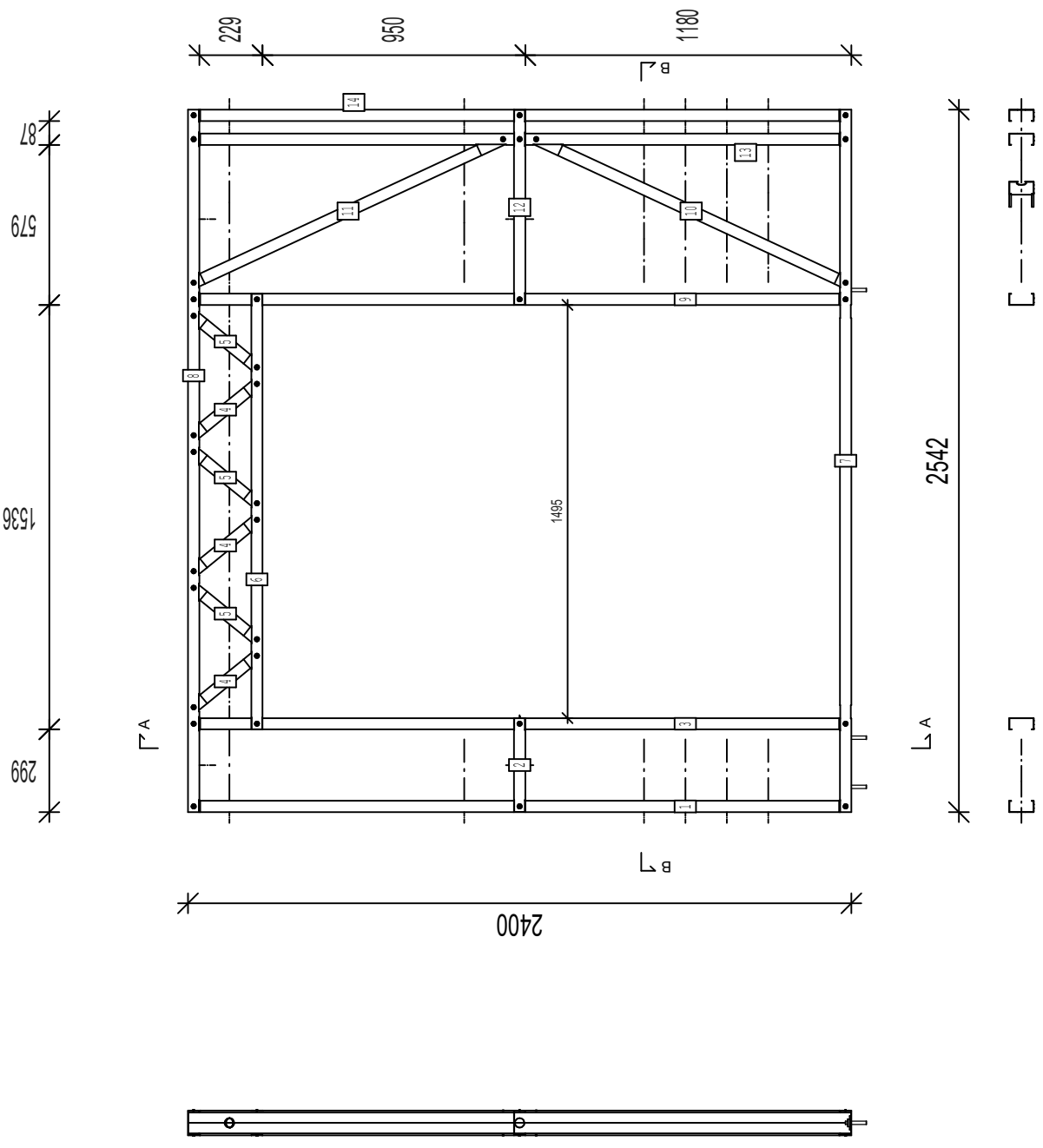
PIECE LIST				
LABEL	QTY	MATERIAL	DESCRIPTION	LENGTH
1	1	C88-4-075	STUD	2439
2	1	C88-4-075	NOGGIN	158
3	1	C88-4-075	KING STUD	2439
4	1	C88-4-075	KING STUD	2439
5	2	C88-4-075	INTERNAL BRACE	345
6	2	C88-4-075	INTERNAL BRACE	345
7	1	C88-4-075	HEADER	981
8	1	C88-4-075	KING STUD	2439
9	1	C88-4-075	KING STUD	2439
10	1	C88-4-075	TOP TRACK	155
11	1	C88-4-075	BACKER STUD	2439
12	1	C88-4-075	BOTTOM TRACK	2789
13	1	C88-4-075	TOP TRACK	2789
14	2	C88-4-075	STUD	2439
15	1	C88-4-075	NOGGIN	1729
16	1	C88-4-075	DIAGONAL BRACE	1283
17	1	C88-4-075	DIAGONAL BRACE	1247
18	1	C88-4-075	STUD	2439
19	1	C88-4-075	STUD	2439
TOTAL LENGTH: 38901mm				



WALL PANEL 11 QUANTITY 1 PROJECT TAFE-MA1006640 PANEL HEIGHT 2400 FRAME WEIGHT - 26.9kg PANEL WEIGHT - 26.9kg Metframe Australia Pty Ltd 05.06.2023 Customer: TAFE NSW

SCREW QTY: 66

PIECE LIST				
LABEL	QTY	MATERIAL	DESCRIPTION	LENGTH
1	1	C88-4-075	STUD	2389
2	1	C88-4-075	NOGGIN	339
3	1	C88-4-075	KING STUD	2389
4	3	C88-4-075	INTERNAL BRACE	328
5	3	C88-4-075	INTERNAL BRACE	328
6	1	C88-4-075	HEADER	1576
7	1	C88-4-075	BOTTOM TRACK	2542
8	1	C88-4-075	TOP TRACK	2542
9	1	C88-4-075	KING STUD	2389
10	1	C88-4-075	DIAGONAL BRACE	1284
11	1	C88-4-075	DIAGONAL BRACE	1284
12	1	C88-4-075	NOGGIN	706
13	1	C88-4-075	STUD	2389
14	1	C88-4-075	STUD	2389
QTY/8	TOTAL LENGTH 24186mm			



WALL PANEL
12

QUANTITY
1

PROJECT
TAFE-MA1006640

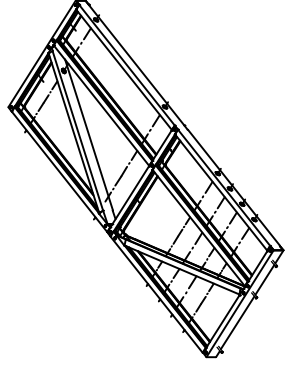
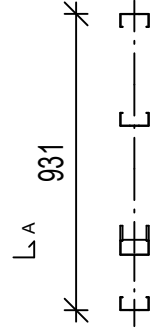
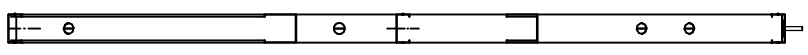
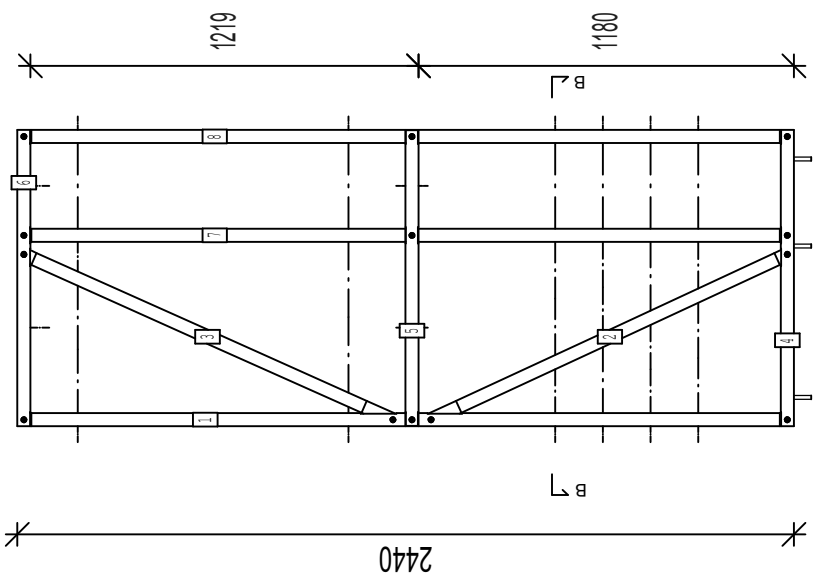
PANEL HEIGHT
2440

FRAME WEIGHT - 14.1kg
PANEL WEIGHT - 14.1kg

Meframe Australia Pty Ltd
05.06.2023 Customer: TAFE NSW

SCREW QTY: 26

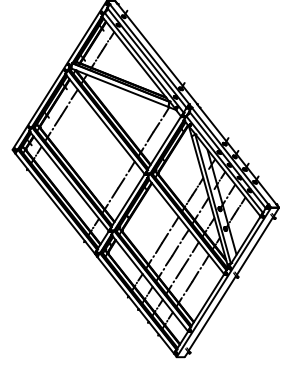
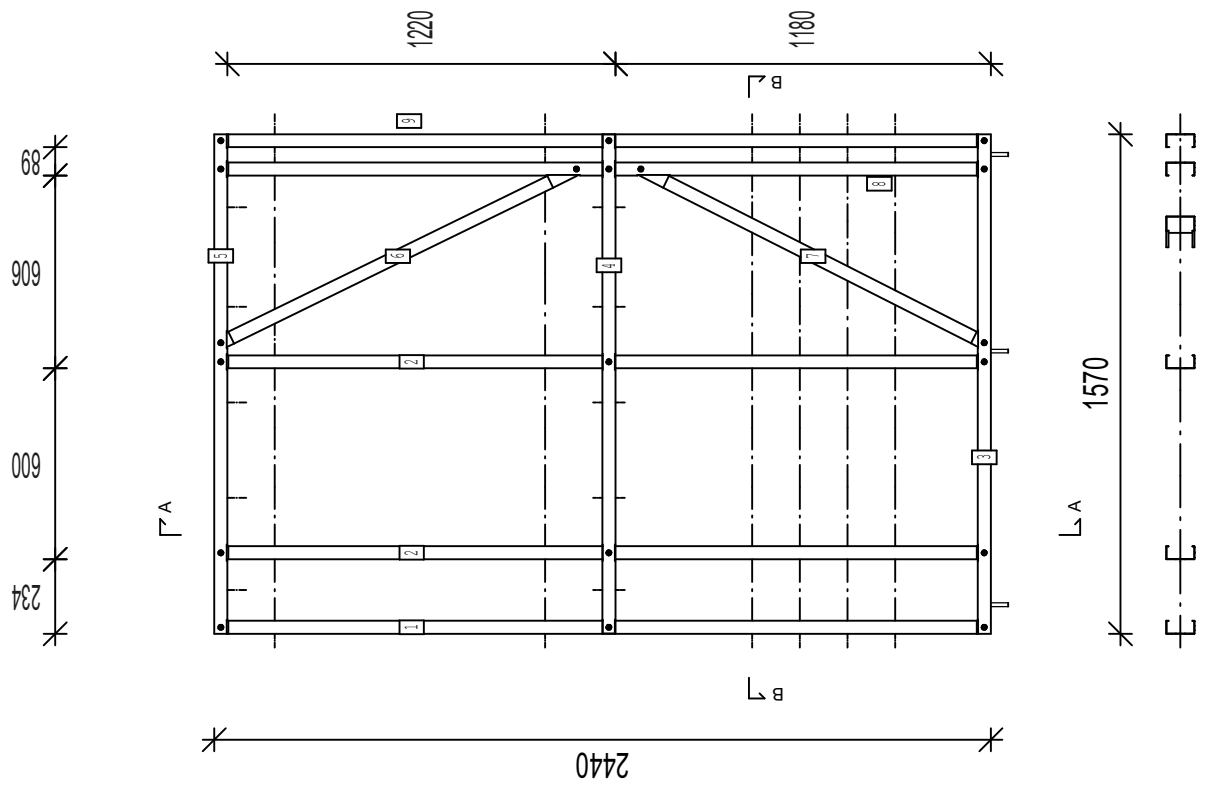
PIECE LIST				
LABEL	QTY	MATERIAL	DESCRIPTION	LENGTH
1	1	C88-4-075	STUD	2439
2	1	C88-4-075	DIAGONAL BRACE	1261
3	1	C88-4-075	DIAGONAL BRACE	1297
4	1	C88-4-075	BOTTOM TRACK	931
5	1	C88-4-075	NOGGIN	930
6	1	C88-4-075	TOP TRACK	931
7	1	C88-4-075	STUD	2439
8	1	C88-4-075	STUD	2439
QTY 8	TOTAL LENGTH 12667mm			



WALL PANEL 13 QUANTITY 1 PROJECT TAFE-MA1006640 PANEL HEIGHT 2440 FRAME WEIGHT - 21.5kg PANEL WEIGHT - 21.5kg Metframe Australia Pty Ltd 05.06.2023 Customer: TAFE NSW

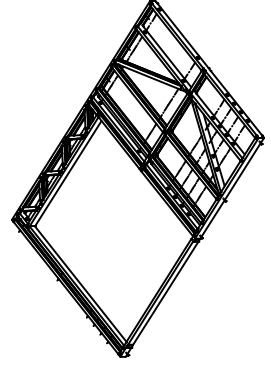
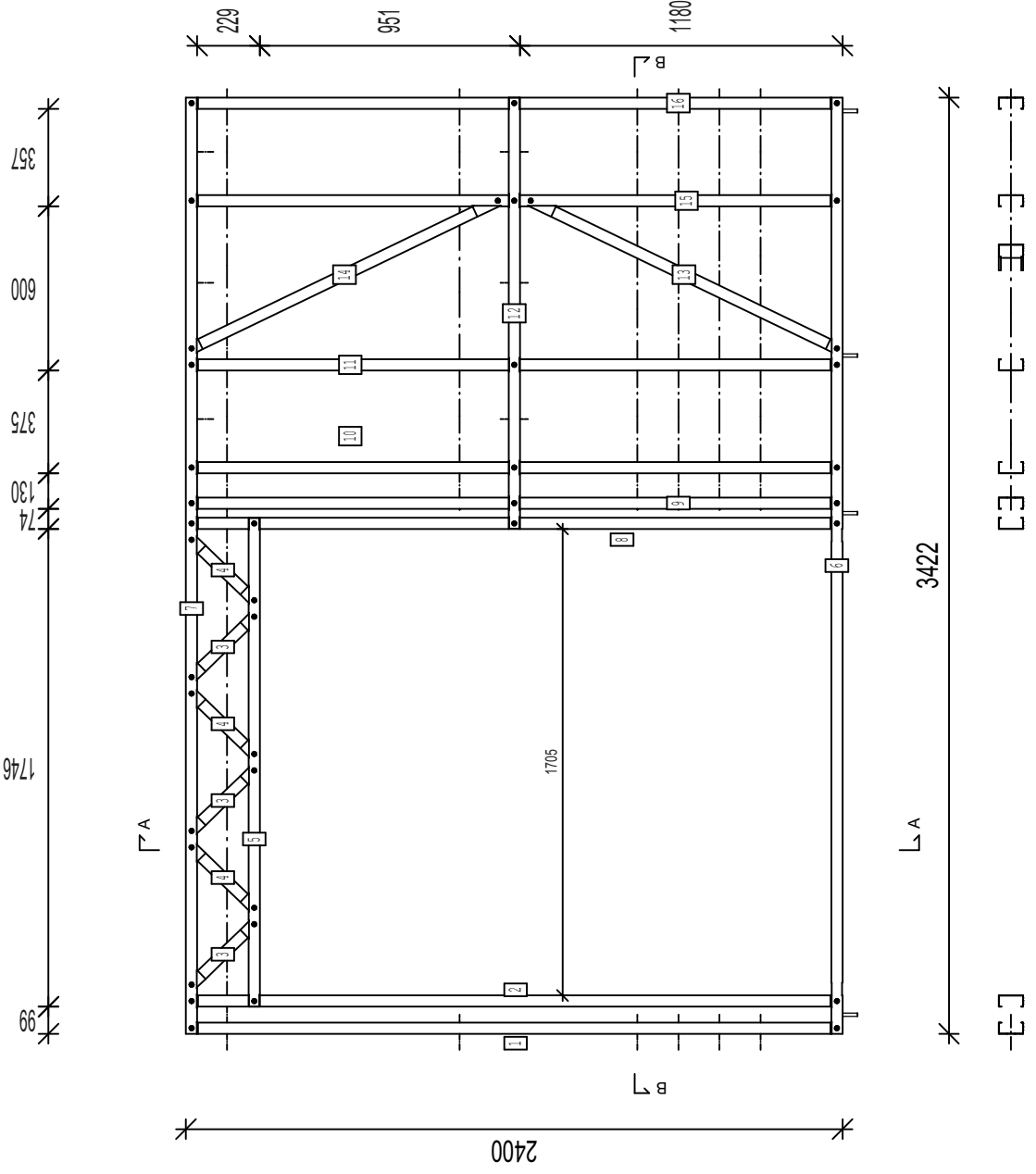
SCREW QTY: 38

PIECE LIST				
LABEL	QTY	MATERIAL	DESCRIPTION	LENGTH
1	1	C88-4-075	STUD	2439
2	2	C88-4-075	STUD	2439
3	1	C88-4-075	BOTTOM TRACK	1570
4	1	C88-4-075	NOGGIN	1569
5	1	C88-4-075	TOP TRACK	1570
6	1	C88-4-075	DIAGONAL BRACE	1271
7	1	C88-4-075	DIAGONAL BRACE	1236
8	1	C88-4-075	STUD	2439
9	1	C88-4-075	STUD	2439
QTY 10	TOTAL LENGTH 19411mm			



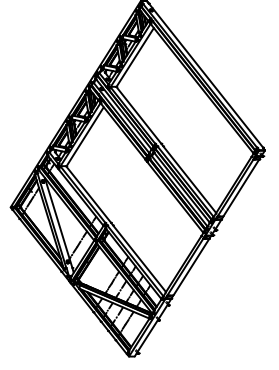
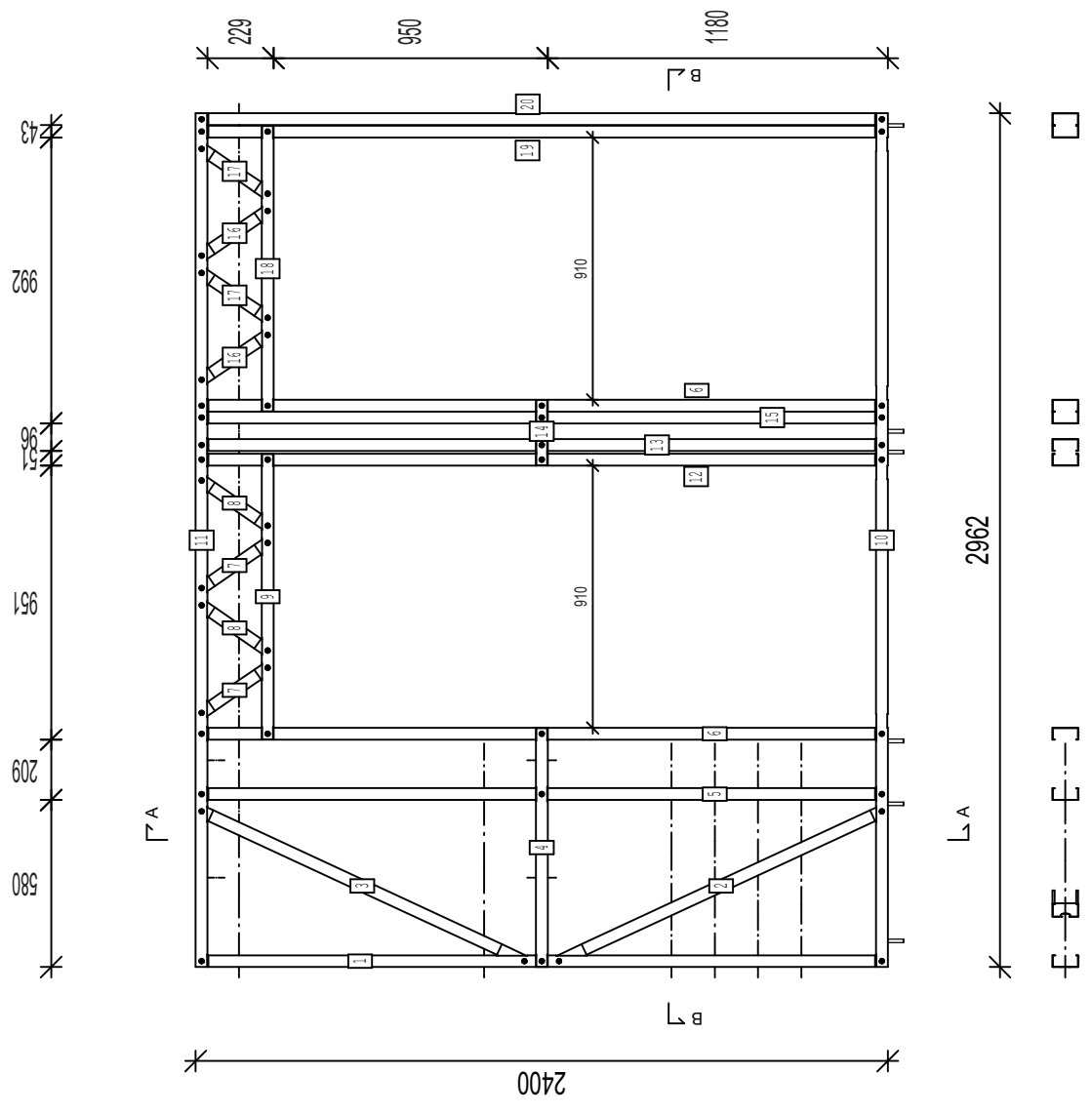
SCREW QTY: 80

PIECE LIST				
LABEL	QTY	MATERIAL	DESCRIPTION	LENGTH
1	1	C88-4-075	STUD	2389
2	1	C88-4-075	KING STUD	2389
3	3	C88-4-075	INTERNAL BRACE	332
4	3	C88-4-075	INTERNAL BRACE	332
5	1	C88-4-075	HEADER	1786
6	1	C88-4-075	BOTTOM TRACK	3422
7	1	C88-4-075	TOP TRACK	3422
8	1	C88-4-075	KING STUD	2389
9	1	C88-4-075	BACKER STUD	2389
10	1	C88-4-075	BACKER STUD	2389
11	1	C88-4-075	STUD	2389
12	1	C88-4-075	NOGGIN	1576
13	1	C88-4-075	DIAGONAL BRACE	1273
14	1	C88-4-075	DIAGONAL BRACE	1273
15	1	C88-4-075	STUD	2389
16	1	C88-4-075	STUD	2389
QTY 20 TOTAL LENGTH 3465mm				



SCREW QTY: 98

PIECE LIST				
LABEL	QTY	MATERIAL	DESCRIPTION	LENGTH
1	1	C88-4-075	STUD	2399
2	1	C88-4-075	DIAGONAL BRACE	1261
3	1	C88-4-075	DIAGONAL BRACE	1261
4	1	C88-4-075	NOGGIN	828
5	1	C88-4-075	STUD	2399
6	2	C88-4-075	KING STUD	2399
7	2	C88-4-075	INTERNAL BRACE	309
8	2	C88-4-075	INTERNAL BRACE	309
9	1	C88-4-075	HEADER	991
10	1	C88-4-075	BOTTOM TRACK	2962
11	1	C88-4-075	TOP TRACK	2962
12	1	C88-4-075	KING STUD	2399
13	1	C88-4-075	STUD	2399
14	1	C88-4-075	NOGGIN	227
15	1	C88-4-075	STUD	2399
16	2	C88-4-075	INTERNAL BRACE	309
17	2	C88-4-075	INTERNAL BRACE	309
18	1	C88-4-075	HEADER	991
19	1	C88-4-075	KING STUD	2399
20	1	C88-4-075	STUD	2399
TOTAL LENGTH: 35546mm				



WALL PANEL
16

QUANTITY
1

PROJECT
TAFE-MA1006640

PANEL HEIGHT
2400

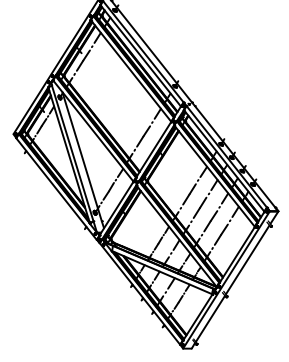
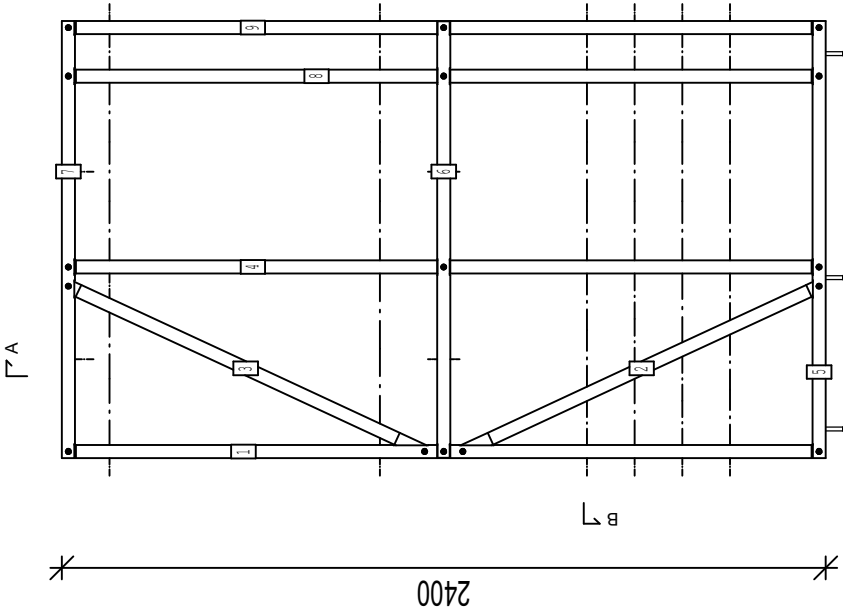
FRAME WEIGHT - 18.0kg
PANEL WEIGHT - 18.0kg

Meframe Australia Pty Ltd
05.06.2023 Customer: TAFE NSW

SCREW QTY: 32

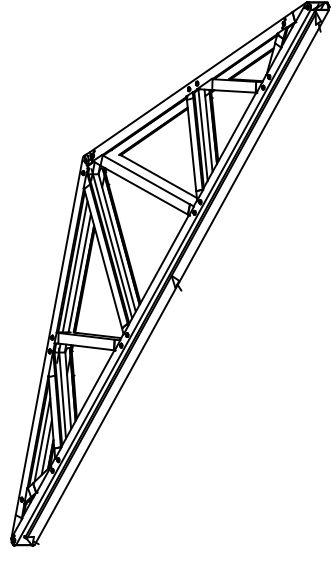
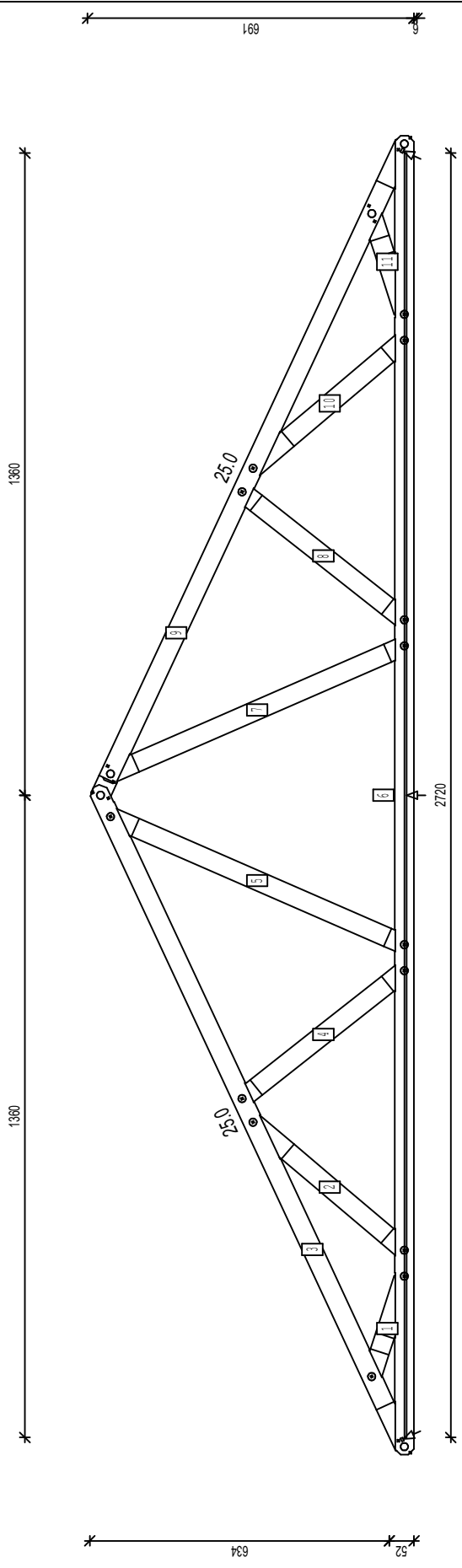
PIECE LIST				
LABEL	QTY	MATERIAL	DESCRIPTION	LENGTH
1	1	C88-4-075	STUD	2389
2	1	C88-4-075	DIAGONAL BRACE	1261
3	1	C88-4-075	DIAGONAL BRACE	1261
4	1	C88-4-075	STUD	2389
5	1	C88-4-075	BOTTOM TRACK	1373
6	1	C88-4-075	NOGGIN	1372
7	1	C88-4-075	TOP TRACK	1373
8	1	C88-4-075	STUD	2389
9	1	C88-4-075	STUD	2389
QTY 9				TOTAL LENGTH 18230mm

579
600
152



Truss: T1 Quantity: 1 PROJECT: TAFE-MA1006640 PANEL HEIGHT: 686 PANEL WEIGHT: 10.7kg Metframe Australia Pty Ltd 05.06.2023 Customer: TAFE NSW

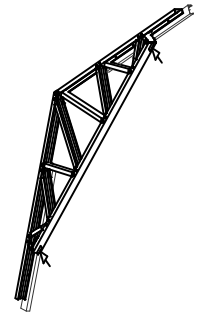
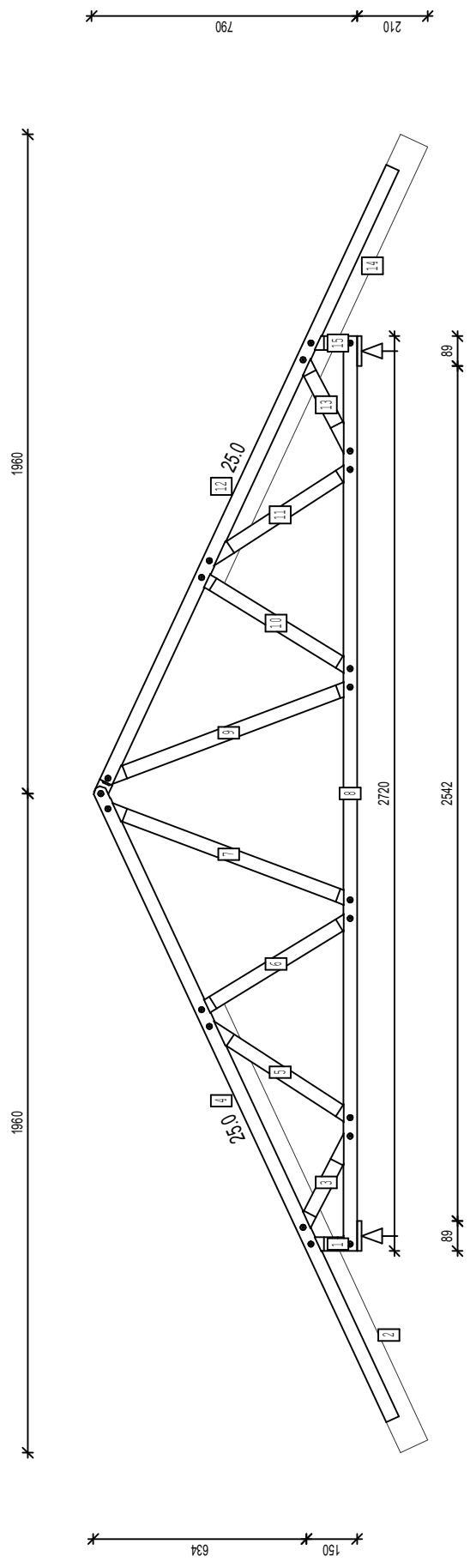
SCHEM. QTY: 48



PIECE LIST			
LABEL	QTY	DESCRIPTION	LENGTH
1	1	C89-41-0.75 WEB	250
2	1	C89-41-0.75 WEB	449
3	1	C89-41-0.75 TOP CHORD	1556
4	1	C89-41-0.75 WEB	472
5	1	C89-41-0.75 WEB	713
6	1	C89-41-0.75 BOTTOM CHORD	2793
7	1	C89-41-0.75 WEB	713
8	1	C89-41-0.75 WEB	472
9	1	C89-41-0.75 TOP CHORD	1553
10	1	C89-41-0.75 WEB	449
11	1	C89-41-0.75 WEB	250
TOTAL LENGTH:			9670mm

Truss: T2 Quantity: 1 PROJECT TAFE-MA1006640 PANEL HEIGHT 994 PANEL WEIGHT 16.1kg Metframe Australia Pty Ltd
 Spacing: 600 05.06.2023 Customer: TAFE NSW

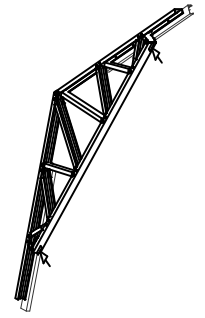
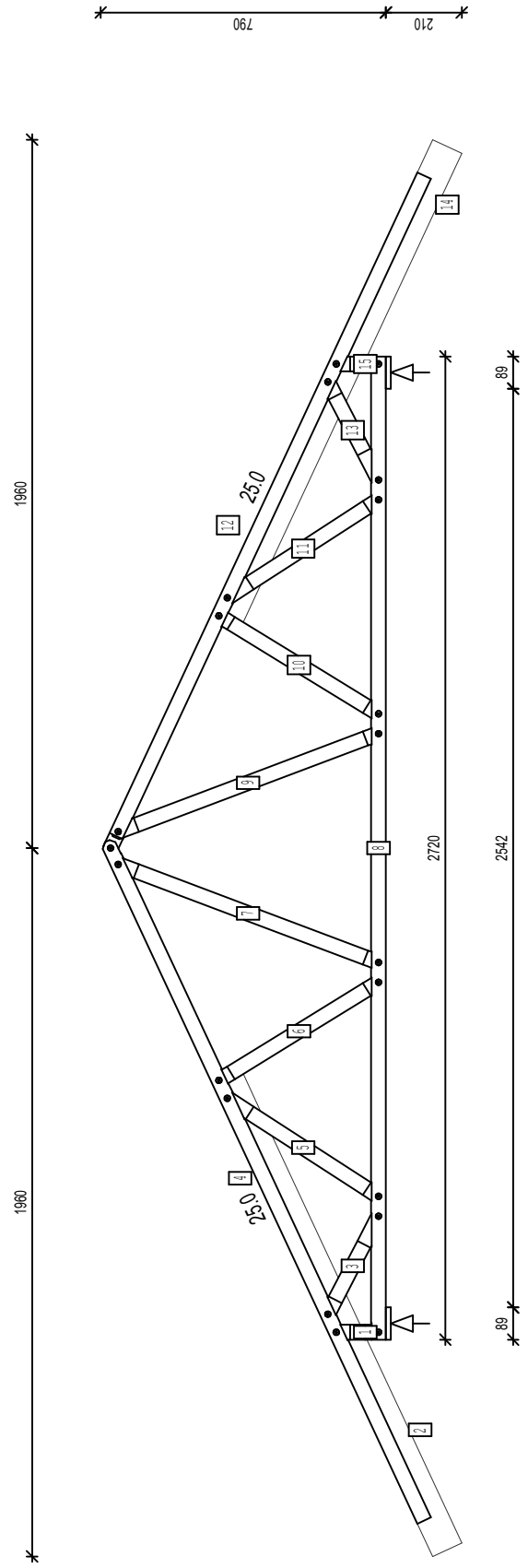
SCHEM QTY: 66



PIECE LIST			
LABEL	QTY	DESCRIPTION	LENGTH
1	1	C89-41-0.75 WEB	151
2	1	C89-41-0.75 SIDE REINFORCE	1444
3	1	C89-41-0.75 WEB	336
4	1	C89-41-0.75 TOP CHORD	2074
5	1	C89-41-0.75 WEB	530
6	1	C89-41-0.75 WEB	551
7	1	C89-41-0.75 WEB	805
8	1	C89-41-0.75 BOTTOM CHORD	2720
9	1	C89-41-0.75 WEB	805
10	1	C89-41-0.75 WEB	551
11	1	C89-41-0.75 WEB	530
12	1	C89-41-0.75 TOP CHORD	2071
13	1	C89-41-0.75 WEB	336
14	1	C89-41-0.75 SIDE REINFORCE	1444
15	1	C89-41-0.75 WEB	151
TOTAL LENGTH			14496mm

Truss: T3 Quantity: 1 PROJECT: TAFE-MA1006640 PANEL HEIGHT: 994 PANEL WEIGHT: 16.1kg Metframe Australia Pty Ltd
 Spacing: 600 05.06.2023 Customer: TAFE NSW

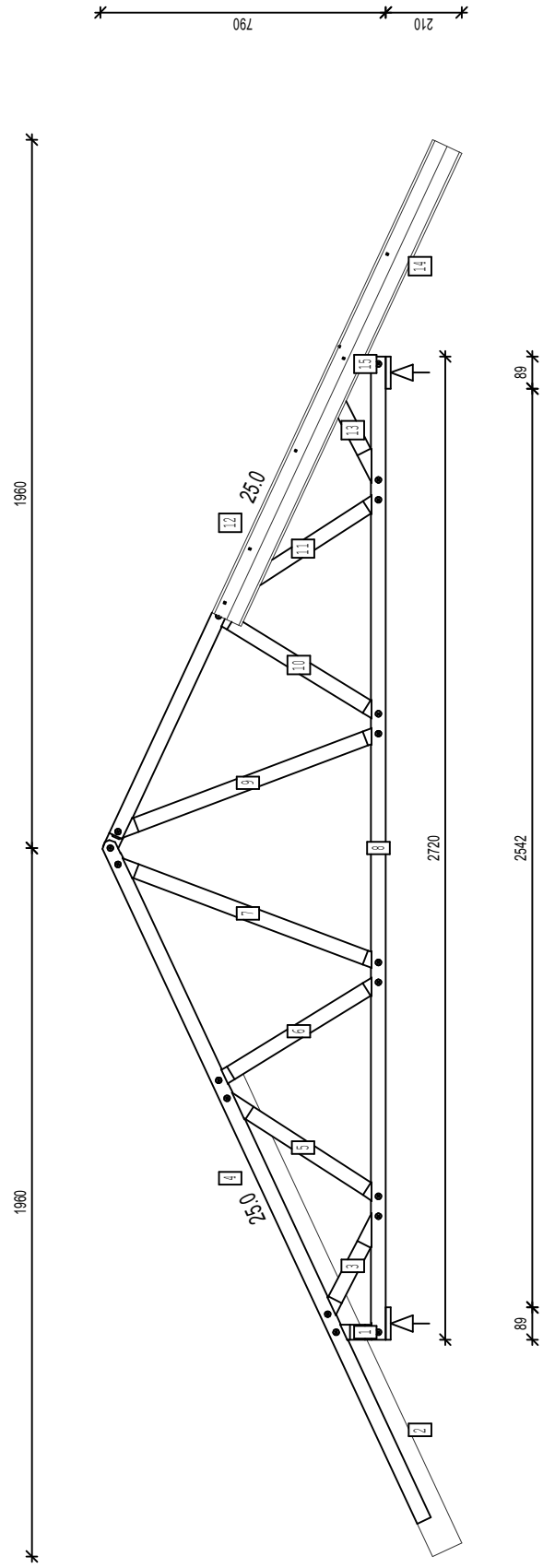
SCHEM QTY: 66



PIECE LIST				
LABEL	QTY	MATERIAL	DESCRIPTION	LENGTH
1	1	C89-41-0.75	WEB	151
2	1	C89-41-0.75	SIDE REINFORCE	1444
3	1	C89-41-0.75	WEB	336
4	1	C89-41-0.75	TOP CHORD	2074
5	1	C89-41-0.75	WEB	530
6	1	C89-41-0.75	WEB	551
7	1	C89-41-0.75	WEB	805
8	1	C89-41-0.75	BOTTOM CHORD	2720
9	1	C89-41-0.75	WEB	805
10	1	C89-41-0.75	WEB	551
11	1	C89-41-0.75	WEB	530
12	1	C89-41-0.75	TOP CHORD	2071
13	1	C89-41-0.75	WEB	336
14	1	C89-41-0.75	SIDE REINFORCE	1444
15	1	C89-41-0.75	WEB	151
TOTAL LENGTH				14496mm

Truss: T4 Quantity: 1 PROJECT: **TAFE-MA1006640** PANEL HEIGHT: **994** PANEL WEIGHT: **16.1kg** Metframe Australia Pty Ltd
 Spacing: 600 05.06.2023 Customer: TAFE NSW

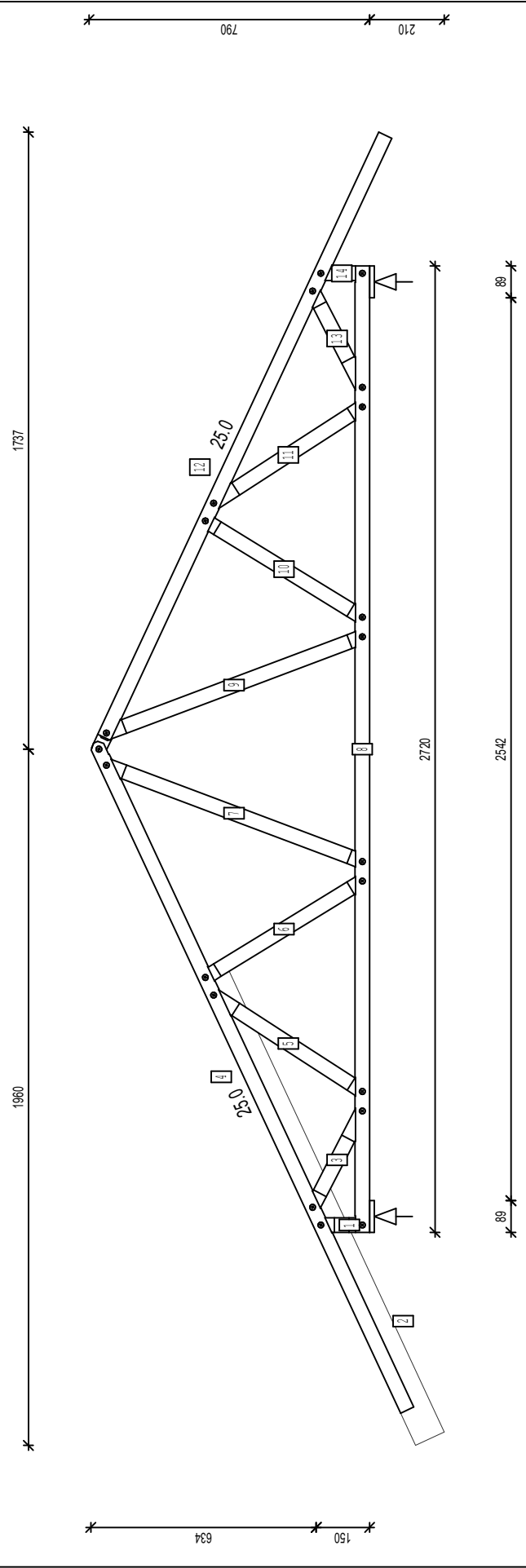
SCHEM. QTY.: 66



PIECE LIST				
LABEL	QTY	MATERIAL	DESCRIPTION	LENGTH
1	1	C89-41-0.75	WEB	151
2	1	C89-41-0.75	SIDE REINFORCE	1444
3	1	C89-41-0.75	WEB	336
4	1	C89-41-0.75	TOP CHORD	2074
5	1	C89-41-0.75	WEB	530
6	1	C89-41-0.75	WEB	551
7	1	C89-41-0.75	WEB	805
8	1	C89-41-0.75	BOTTOM CHORD	2720
9	1	C89-41-0.75	WEB	805
10	1	C89-41-0.75	WEB	551
11	1	C89-41-0.75	WEB	530
12	1	C89-41-0.75	TOP CHORD	2071
13	1	C89-41-0.75	WEB	336
14	1	C89-41-0.75	SIDE REINFORCE	1444
15	1	C89-41-0.75	WEB	151
TOTAL LENGTH				14496mm

Truss: T5 Quantity: 1 PROJECT: TAFE-MA1006640 PANEL HEIGHT: 994 PANEL WEIGHT: 14.3kg Metframe Australia Pty Ltd
 Spacing: 600 05.06.2023 Customer: TAFE NSW

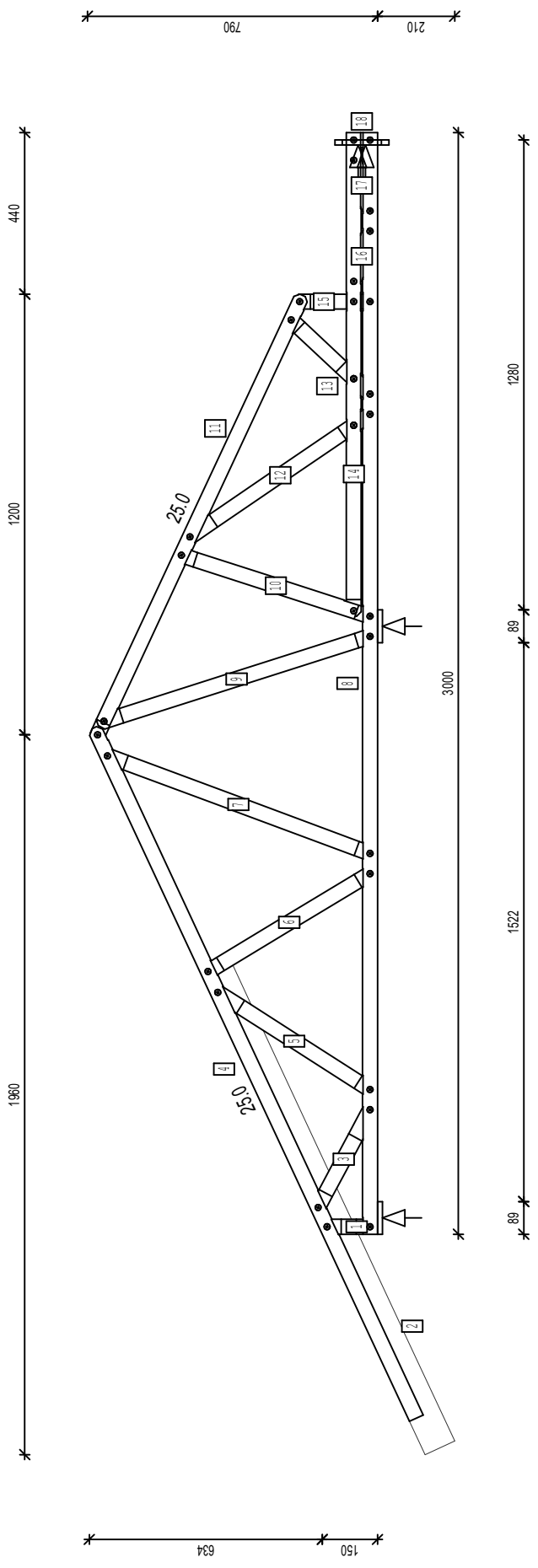
SCHEM. QTY: 54



PIECE LIST			
LABEL	QTY	DESCRIPTION	LENGTH
1	1	C89-41-0.75 WEB	151
2	1	C89-41-0.75 SIDE REINFORCE	1444
3	1	C89-41-0.75 WEB	336
4	1	C89-41-0.75 TOP CHORD	2074
5	1	C89-41-0.75 WEB	530
6	1	C89-41-0.75 WEB	551
7	1	C89-41-0.75 WEB	805
8	1	C89-41-0.75 BOTTOM CHORD	2720
9	1	C89-41-0.75 WEB	805
10	1	C89-41-0.75 WEB	551
11	1	C89-41-0.75 WEB	530
12	1	C89-41-0.75 TOP CHORD	1925
13	1	C89-41-0.75 WEB	336
14	1	C89-41-0.75 WEB	151
TOTAL LENGTH			12906mm

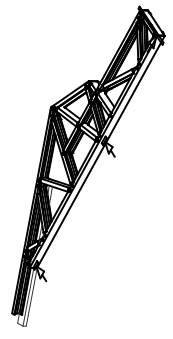
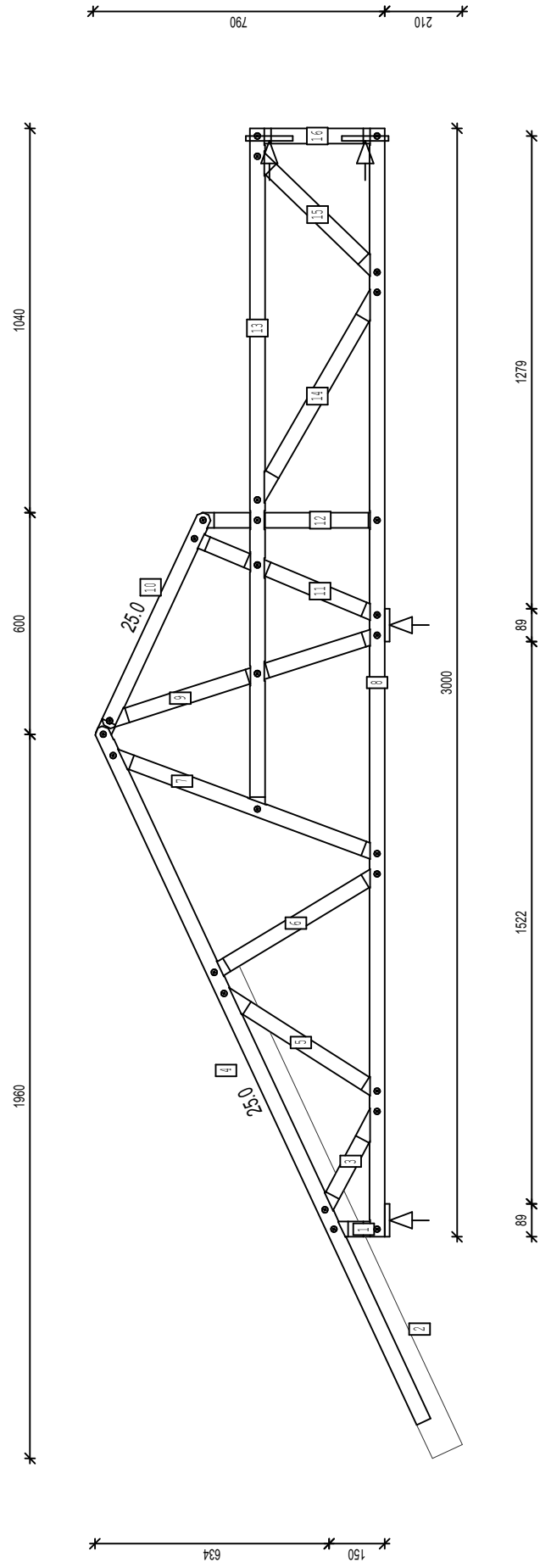
Truss: T6 Quantity: 1 PROJECT TAFE-MA1006640 PANEL HEIGHT 994 PANEL WEIGHT 16.1kg Metframe Australia Pty Ltd
 Spacing: 900 05.06.2023 Customer: TAFE NSW

SCHEM. QTY.: 74

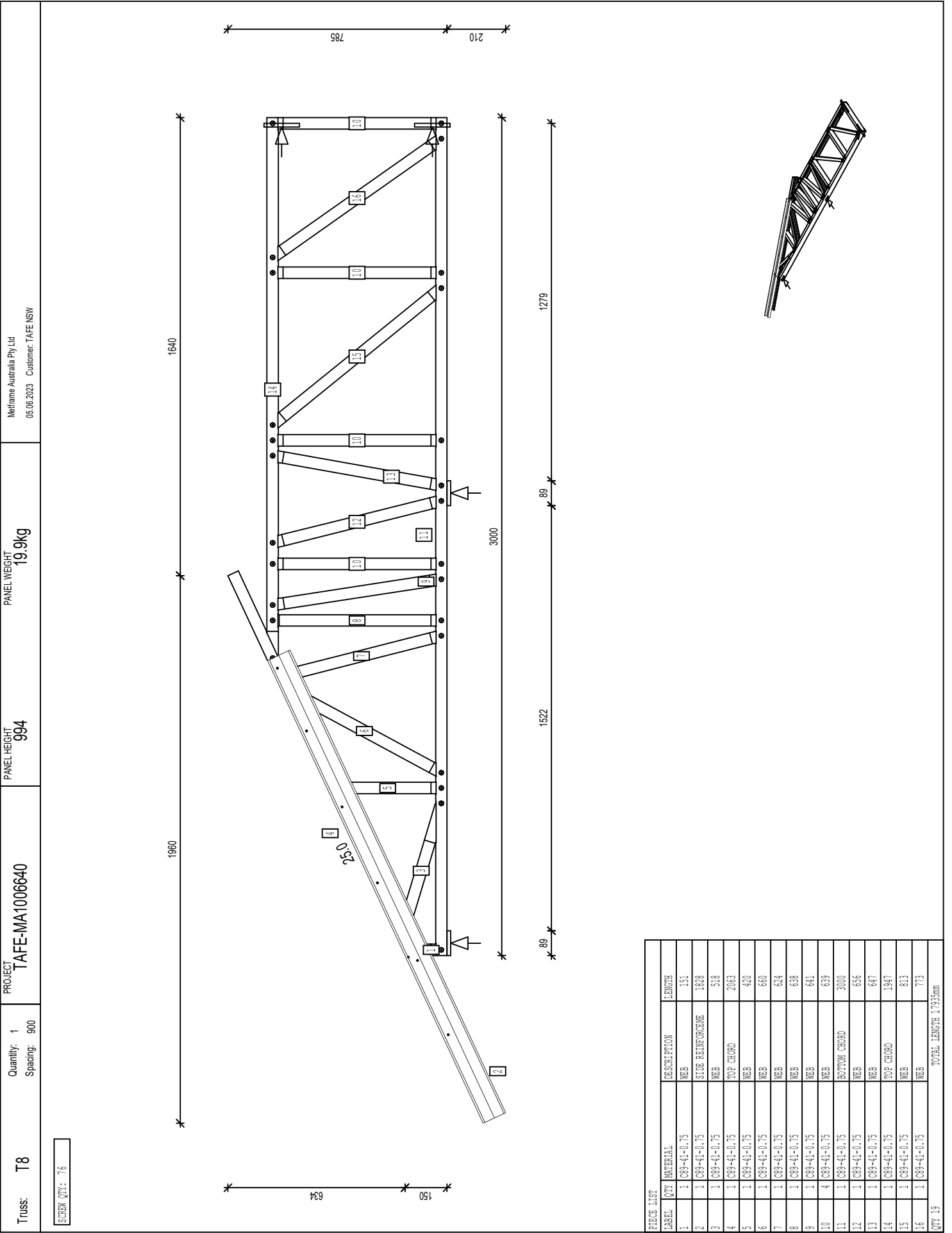


PIECE LIST	LABEL	QTY	MATERIAL	DESCRIPTION	LENGTH
	1	1	C89-41-0.75	WEB	151
	2	1	C89-41-0.75	SLAB REINFORCE	1442
	3	1	C89-41-0.75	WEB	332
	4	1	C89-41-0.75	TOP CHORD	2074
	5	1	C89-41-0.75	WEB	523
	6	1	C89-41-0.75	WEB	548
	7	1	C89-41-0.75	WEB	797
	8	1	C89-41-0.75	BOTTOM CHORD	3000
	9	1	C89-41-0.75	WEB	795
	10	1	C89-41-0.75	WEB	572
	11	1	C89-41-0.75	TOP CHORD	1339
	12	1	C89-41-0.75	WEB	624
	13	1	C89-41-0.75	TOP CHORD	1318
	14	1	C89-41-0.75	WEB	325
	15	1	C89-41-0.75	WEB	223
	16	1	C89-41-0.75	WEB	161
	17	1	C89-41-0.75	WEB	161
	18	1	C89-41-0.75	WEB	80
	QTY. 18			TOTAL LENGTH 14465mm	

SCHEM. QTY.: 66



PECE LIST	QTY	MATERIAL	DESCRIPTION	LENGTH
1	1	C89-41-0.75	WEB	151
2	1	C89-41-0.75	SLIDE REINFORCE	1442
3	1	C89-41-0.75	WEB	332
4	1	C89-41-0.75	TOP CHORD	2074
5	1	C89-41-0.75	WEB	523
6	1	C89-41-0.75	WEB	548
7	1	C89-41-0.75	WEB	797
8	1	C89-41-0.75	BOTTOM CHORD	3000
9	1	C89-41-0.75	WEB	795
10	1	C89-41-0.75	TOP CHORD	677
11	1	C89-41-0.75	WEB	569
12	1	C89-41-0.75	WEB	503
13	1	C89-41-0.75	TOP CHORD	1857
14	1	C89-41-0.75	WEB	677
15	1	C89-41-0.75	WEB	485
16	1	C89-41-0.75	WEB	360
QTY. 16			TOTAL LENGTH 14790mm	



Truss: T8

Quantity: 1
Spacing: 900

PROJECT: TAFE-MA1006640

PANEL HEIGHT: 994

PANEL WEIGHT: 19.9kg

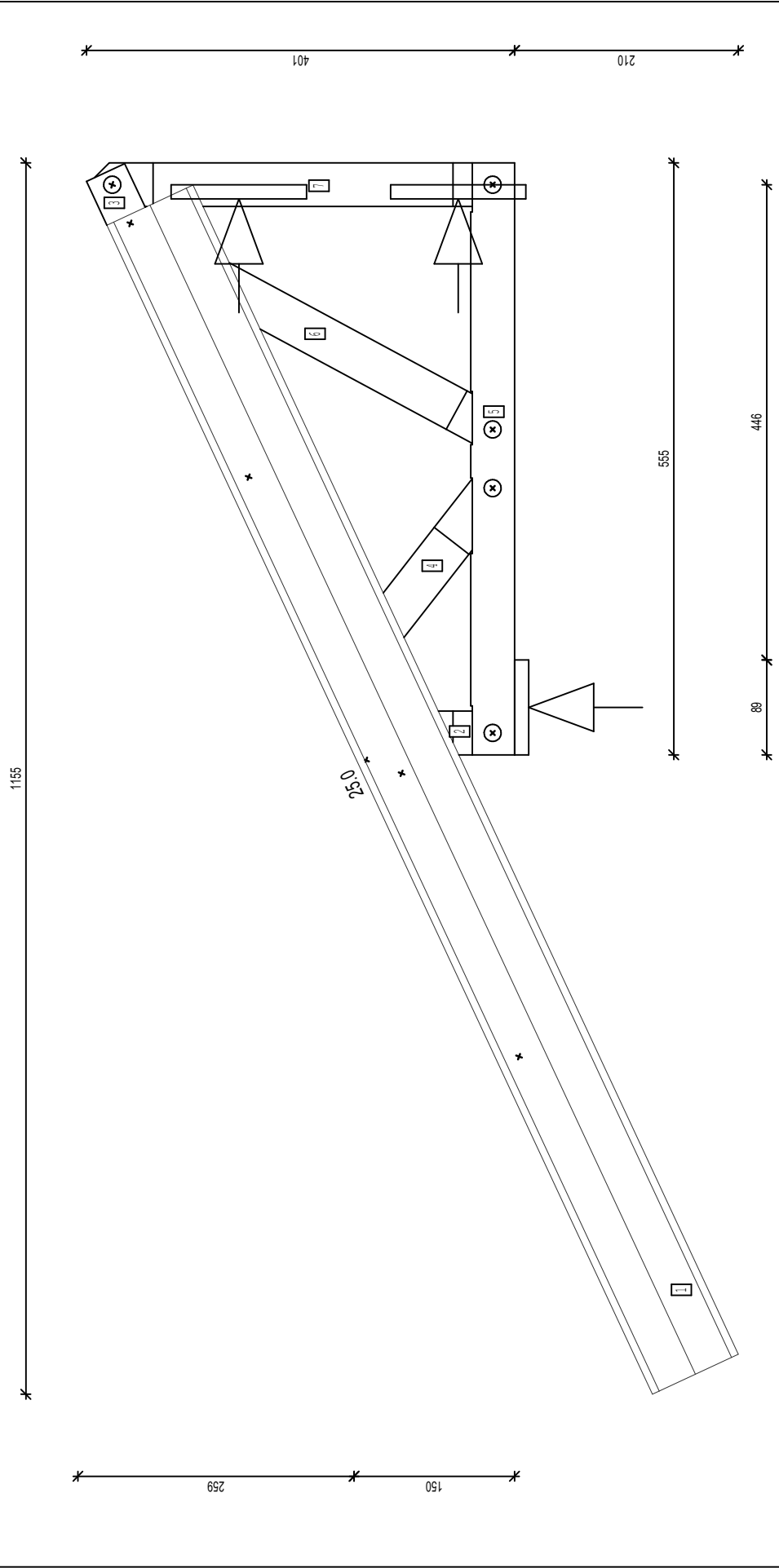
Metframe Australia Pty Ltd
05.06.2023 Customer: TAFE NSW

SCHEM. QTY: 76

PECE LIST	LABEL	QTY	MATERIAL	DESCRIPTION	LENGTH
	1	1	C89-41-0.75	WEB	151
	2	1	C89-41-0.75	SIDE REINFORCE	1828
	3	1	C89-41-0.75	WEB	518
	4	1	C89-41-0.75	TOP CHORD	2063
	5	1	C89-41-0.75	WEB	420
	6	1	C89-41-0.75	WEB	660
	7	1	C89-41-0.75	WEB	624
	8	1	C89-41-0.75	WEB	638
	9	1	C89-41-0.75	WEB	641
	10	4	C89-41-0.75	WEB	639
	11	1	C89-41-0.75	BOTTOM CHORD	3000
	12	1	C89-41-0.75	WEB	656
	13	1	C89-41-0.75	WEB	647
	14	1	C89-41-0.75	TOP CHORD	1947
	15	1	C89-41-0.75	WEB	813
	16	1	C89-41-0.75	WEB	773
	QTY 19			TOTAL LENGTH	17315mm

Truss: T9 Quantity: 1 PROJECT TAFE-MA1006640 PANEL HEIGHT 619 PANEL WEIGHT 4.6kg Metframe Australia Pty Ltd 05.06.2023 Customer: TAFE NSW

SCHEM. QTY: 26

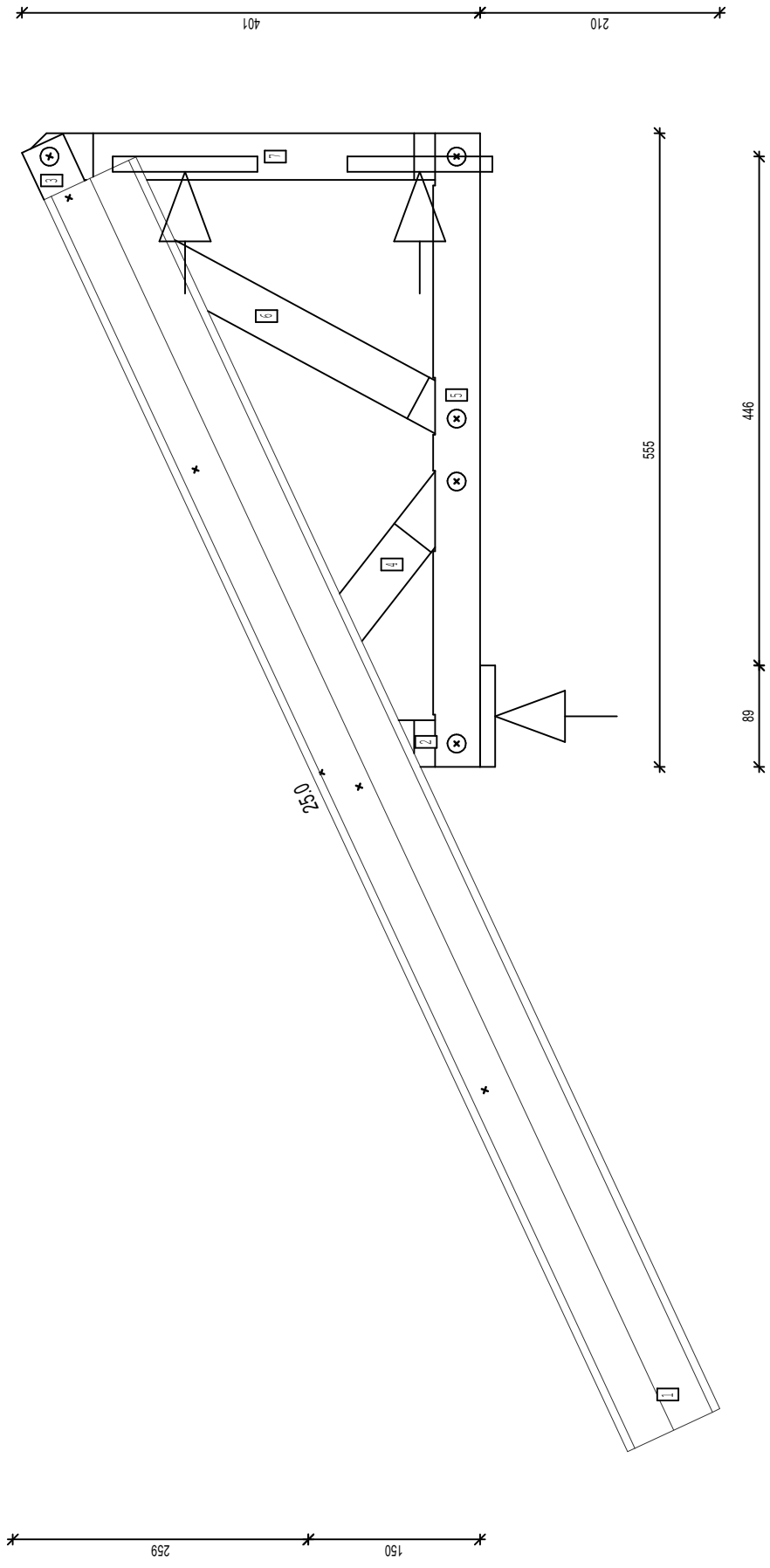


PIECE LIST				
LABEL	QTY	MATERIAL	DESCRIPTION	LENGTH
1	1	C89-41-0.75	SIDE REINFORCE	1210
2	1	C89-41-0.75	WEB	151
3	1	C89-41-0.75	TOP CHORD	1156
4	1	C89-41-0.75	WEB	261
5	1	C89-41-0.75	BOTTOM CHORD	556
6	1	C89-41-0.75	WEB	412
7	1	C89-41-0.75	WEB	391
QTY: 7			TOTAL LENGTH:	4137mm

Truss: T10 Quantity: 1 PROJECT TAFE-MA1006640 PANEL HEIGHT 619 PANEL WEIGHT 4.6kg Metframe Australia Pty Ltd
 Spacing: 600 05.06.2023 Customer: TAFE NSW

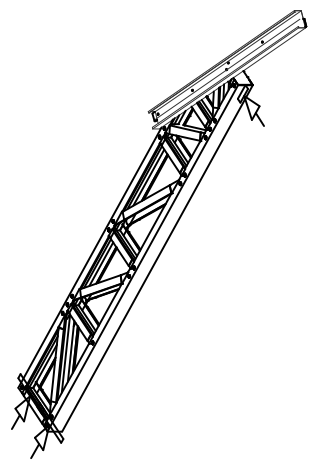
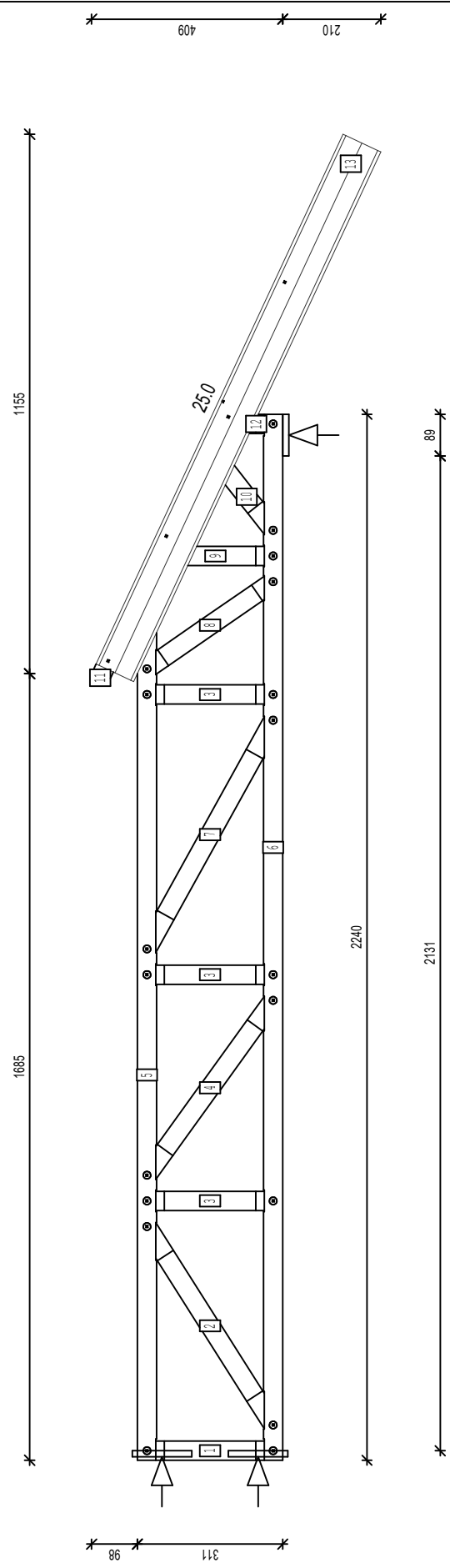
SCHEM. QTY: 26

1155



PIECE LIST			
LABEL	QTY	MATERIAL	LENGTH
1	1	C89-41-0.75	SIDE REINFORCE
2	1	C89-41-0.75	WEB
3	1	C89-41-0.75	TOP CHORD
4	1	C89-41-0.75	WEB
5	1	C89-41-0.75	BOTTOM CHORD
6	1	C89-41-0.75	WEB
7	1	C89-41-0.75	WEB
TOTAL LENGTH:			4137mm

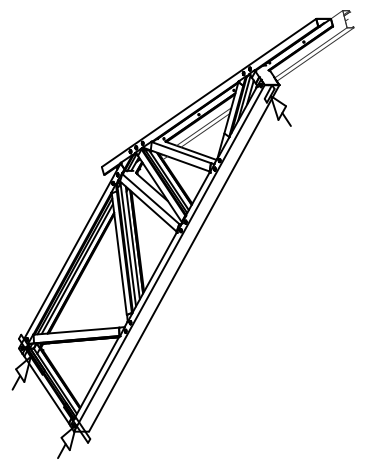
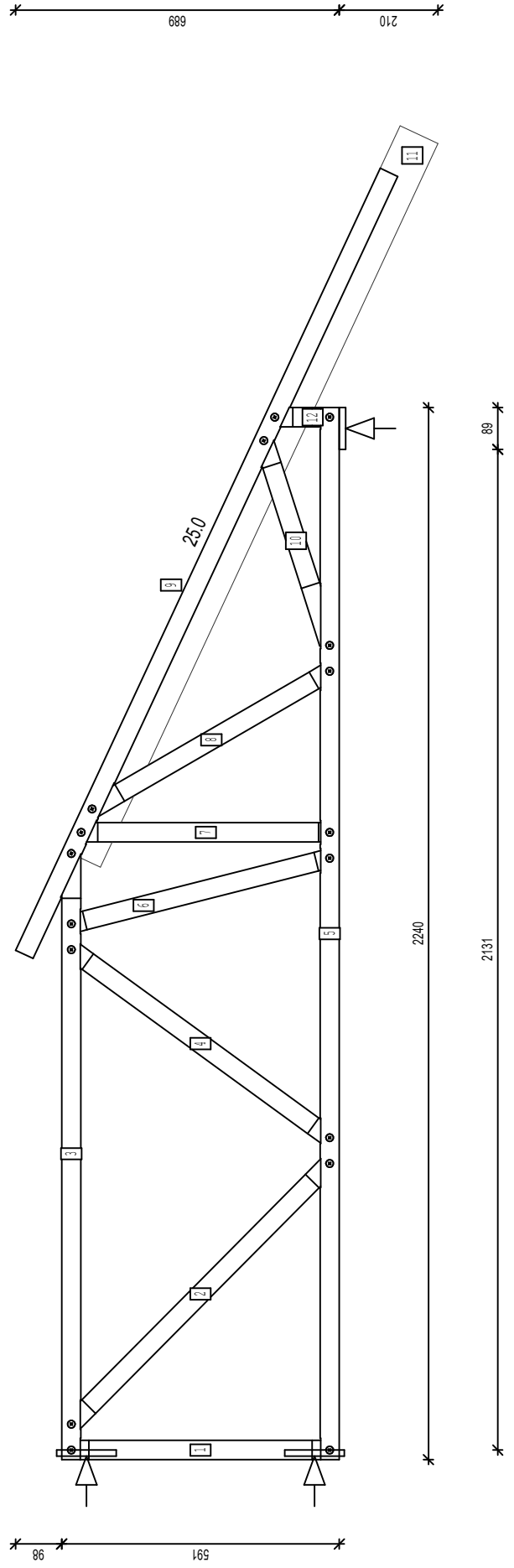
SCHEM. QTY: 56



PIECE LIST				
LABEL	QTY	MATERIAL	DESCRIPTION	LENGTH
1	1	C89-41-0.75	WEB	306
2	1	C89-41-0.75	WEB	533
3	3	C89-41-0.75	WEB	306
4	1	C89-41-0.75	WEB	494
5	1	C89-41-0.75	TOP CHORD	1903
6	1	C89-41-0.75	BOTTOM CHORD	2240
7	1	C89-41-0.75	WEB	587
8	1	C89-41-0.75	WEB	363
9	1	C89-41-0.75	WEB	283
10	1	C89-41-0.75	WEB	260
11	1	C89-41-0.75	TOP CHORD	1175
12	1	C89-41-0.75	WEB	151
13	1	C89-41-0.75	SIDE REINFORCEMENT	1252
QTY 15			TOTAL LENGTH	16465mm

SCHEM. QTY: 48

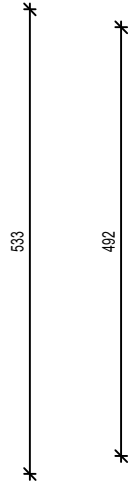
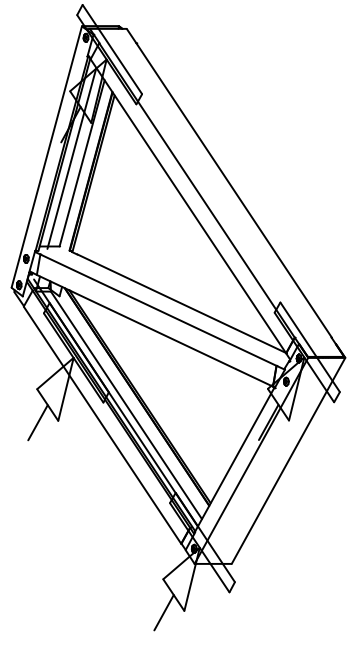
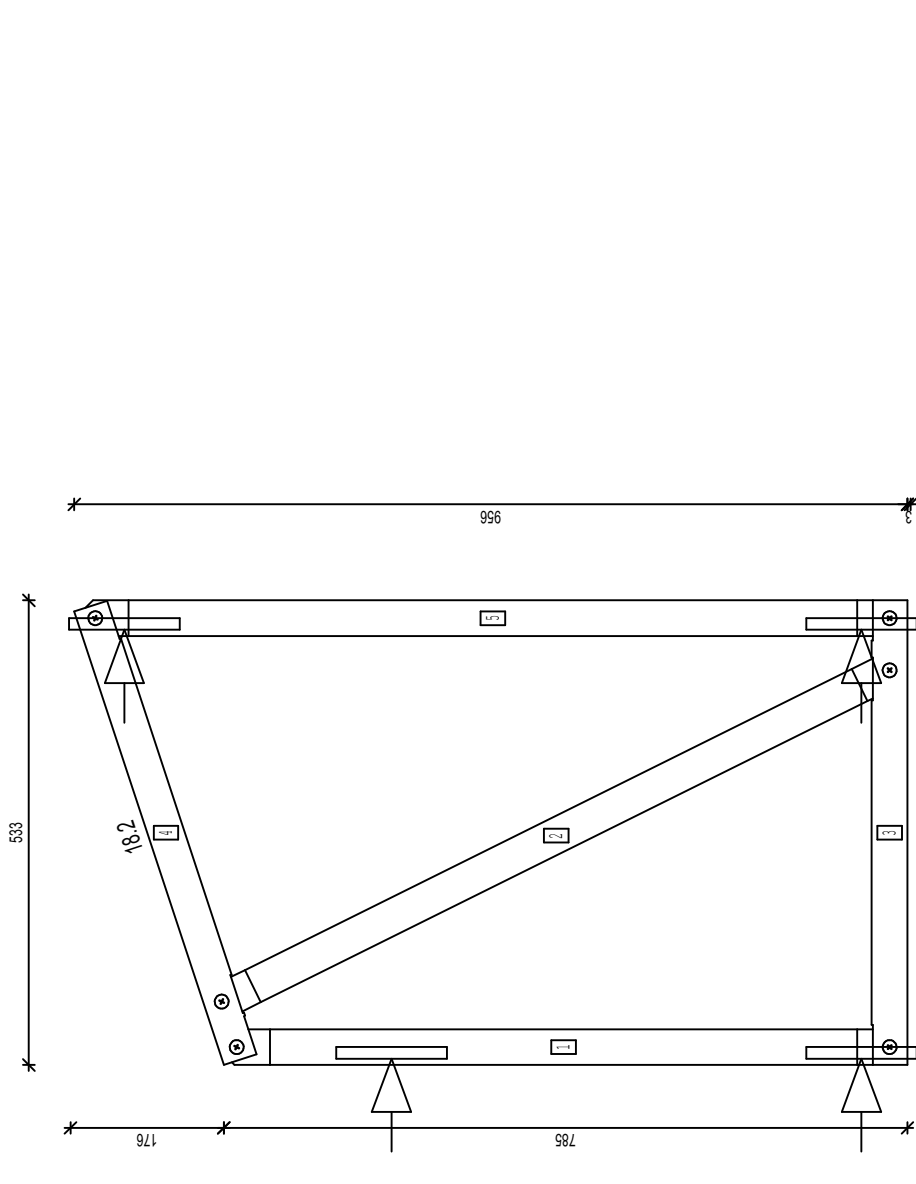
1085 1755



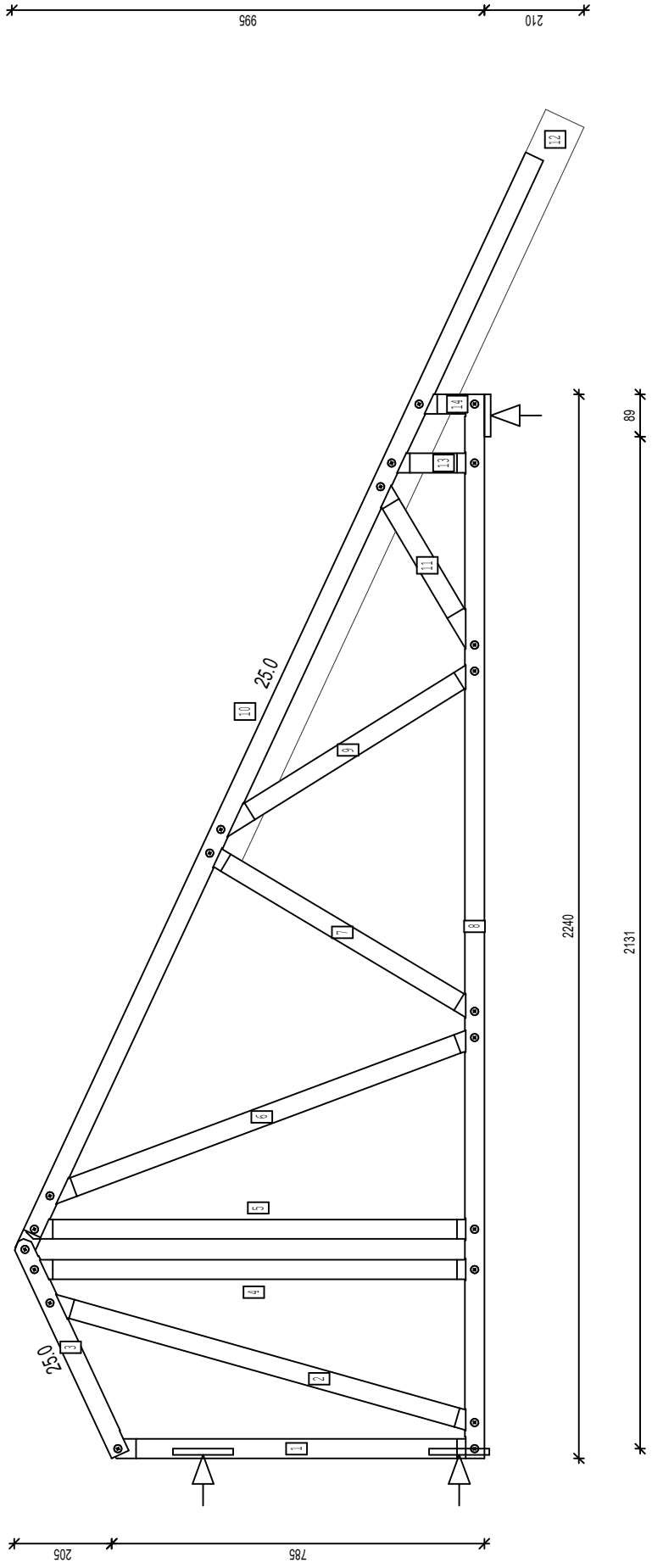
PIECE LIST				
LABEL	QTY	MATERIAL	DESCRIPTION	LENGTH
1	1	C89-41-0.75	WEB	586
2	1	C89-41-0.75	WEB	618
3	1	C89-41-0.75	TOP CHORD	1303
4	1	C89-41-0.75	WEB	715
5	1	C89-41-0.75	BOTTOM CHORD	2240
6	1	C89-41-0.75	WEB	598
7	1	C89-41-0.75	WEB	561
8	1	C89-41-0.75	WEB	612
9	1	C89-41-0.75	TOP CHORD	1837
10	1	C89-41-0.75	WEB	484
11	1	C89-41-0.75	SLOPE REINFORCE	1700
12	1	C89-41-0.75	WEB	151
QTY 12			TOTAL LENGTH	11605mm

Truss: T13 Quantity: 1 PROJECT TAFE-MA1006640 PANEL HEIGHT 960 PANEL WEIGHT 4.1kg Melframe Australia Pty Ltd 05.06.2023 Customer: TAFE NSW

SCHEM. QTY.: 12



PIECE LIST				
LABEL	QTY	MATERIAL	DESCRIPTION	LENGTH
1	1	C89-41-0.75	WEB	784
2	1	C89-41-0.75	WEB	887
3	1	C89-41-0.75	BOTTOM CHORD	533
4	1	C89-41-0.75	TOP CHORD	548
5	1	C89-41-0.75	WEB	946
QTY: 5			TOTAL LENGTH:	3698mm

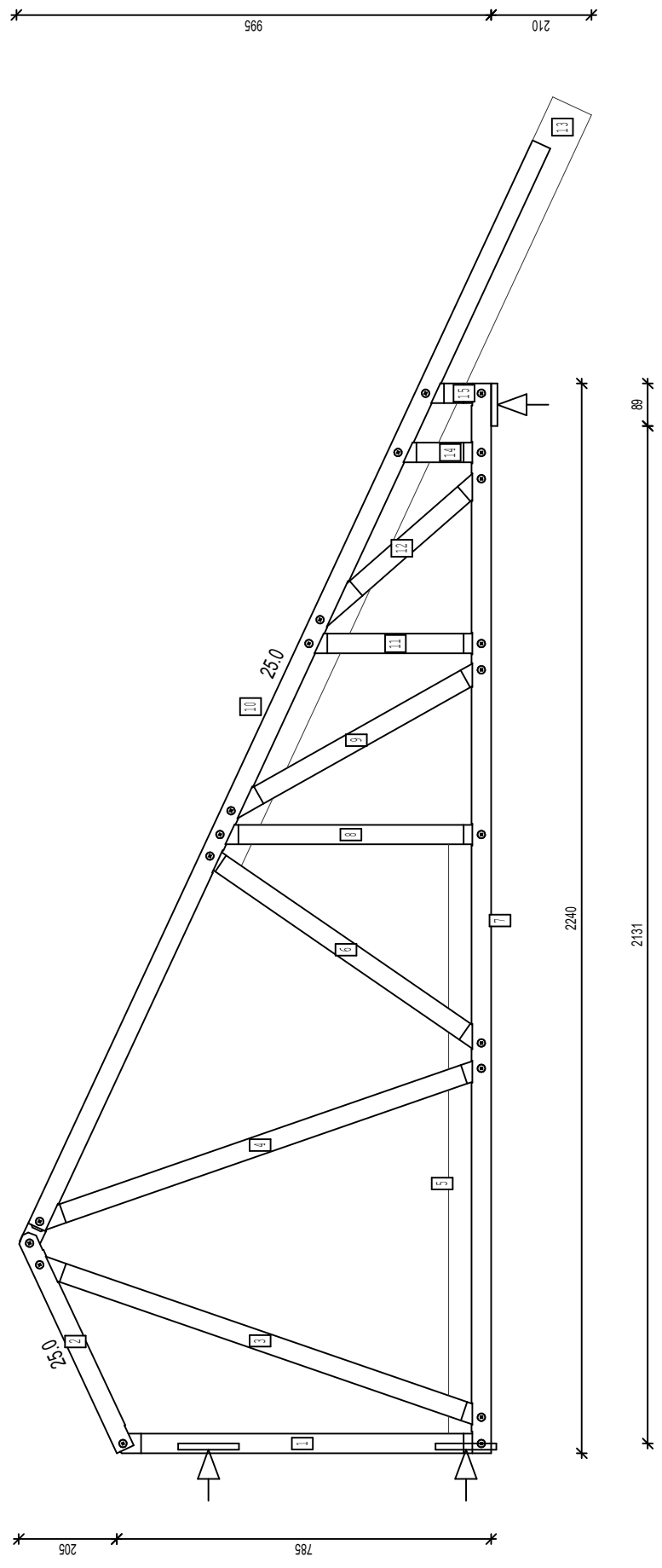


SCHEM. QTY.: 56

PIECE LIST	LABEL	QTY.	MATERIAL	DESCRIPTION	LENGTH
	1	1	C89-41-0.75	WEB	786
	2	1	C89-41-0.75	WEB	963
	3	1	C89-41-0.75	TOP CHORD	497
	4	1	C89-41-0.75	WEB	961
	5	1	C89-41-0.75	WEB	961
	6	1	C89-41-0.75	WEB	989
	7	1	C89-41-0.75	WEB	682
	8	1	C89-41-0.75	BOTTOM CHORD	2240
	9	1	C89-41-0.75	WEB	662
	10	1	C89-41-0.75	TOP CHORD	2557
	11	1	C89-41-0.75	WEB	419
	12	1	C89-41-0.75	SIDE REINFORCE	1718
	13	1	C89-41-0.75	WEB	209
	14	1	C89-41-0.75	WEB	151
	QTY. 14			TOTAL LENGTH	13795mm

T15 Quantity: 1 PROJECT **TAFE-MA1006640** PANEL HEIGHT **1199** PANEL WEIGHT **15.9kg** Metframe Australia Pty Ltd
 Spacing: 600 SCHEM. QTY.: 68 05.06.2023 Customer: TAFE NSW

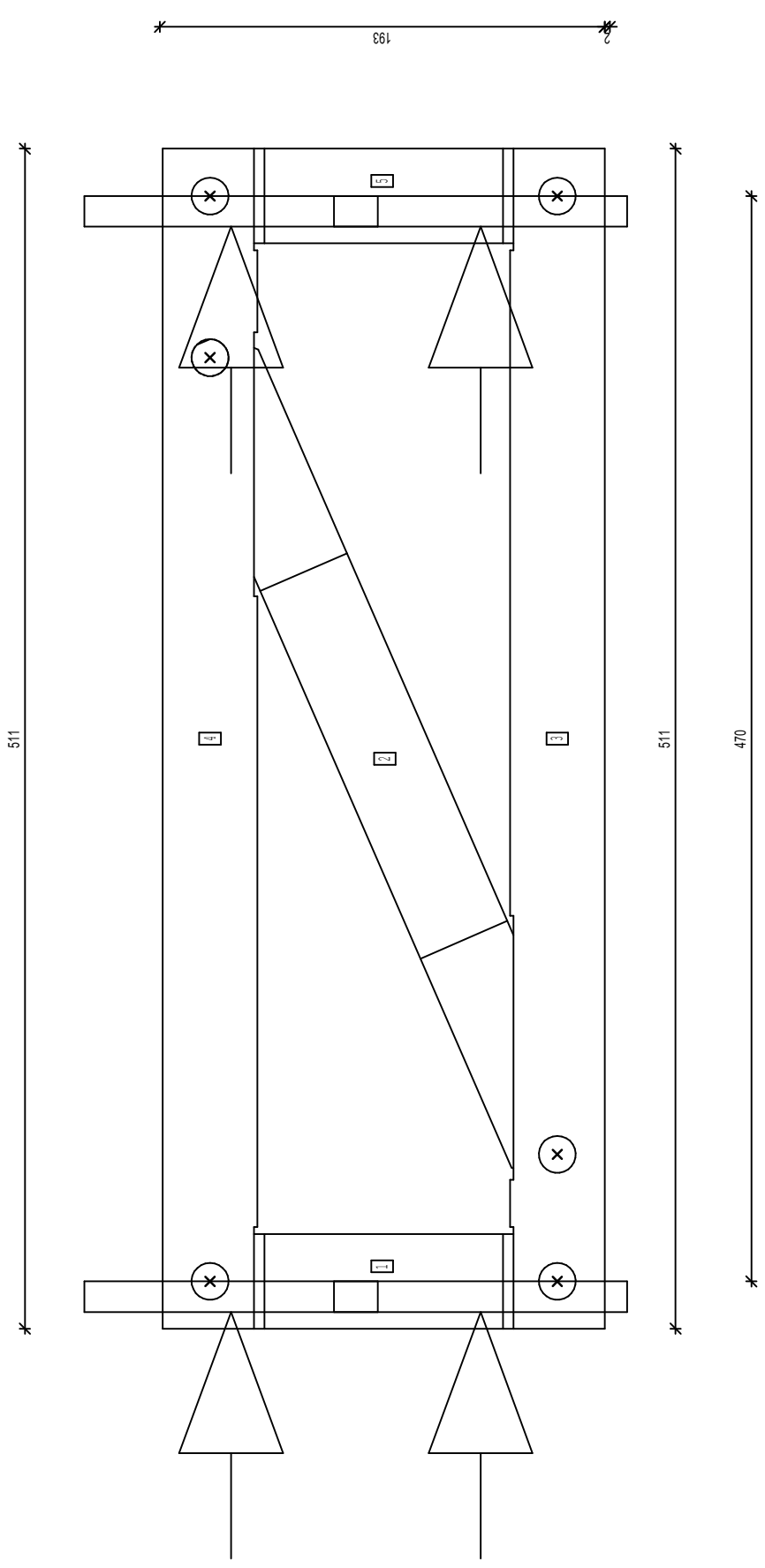
440 2400 210 995 2131 88 2240 250 250 205 785



LABEL	QTY	MATERIAL	DESCRIPTION	LENGTH
1	1	C89-41-0.75	WEB	786
2	1	C89-41-0.75	TOP CHORD	497
3	1	C89-41-0.75	WEB	1014
4	1	C89-41-0.75	WEB	1014
5	1	C89-41-0.75	SIDE REINFORCE	1273
6	1	C89-41-0.75	WEB	723
7	1	C89-41-0.75	BOTTOM CHORD	2240
8	1	C89-41-0.75	WEB	582
9	1	C89-41-0.75	WEB	634
10	1	C89-41-0.75	TOP CHORD	2557
11	1	C89-41-0.75	WEB	396
12	1	C89-41-0.75	WEB	478
13	1	C89-41-0.75	SIDE REINFORCE	1744
14	1	C89-41-0.75	WEB	209
15	1	C89-41-0.75	WEB	151
TOTAL LENGTH				14296mm

Truss: T16 Quantity: 1 PROJECT TAFE-MA1006640 PANEL HEIGHT 197 PANEL WEIGHT 2.0kg Metframe Australia Pty Ltd 05.06.2023 Customer: TAFE NSW

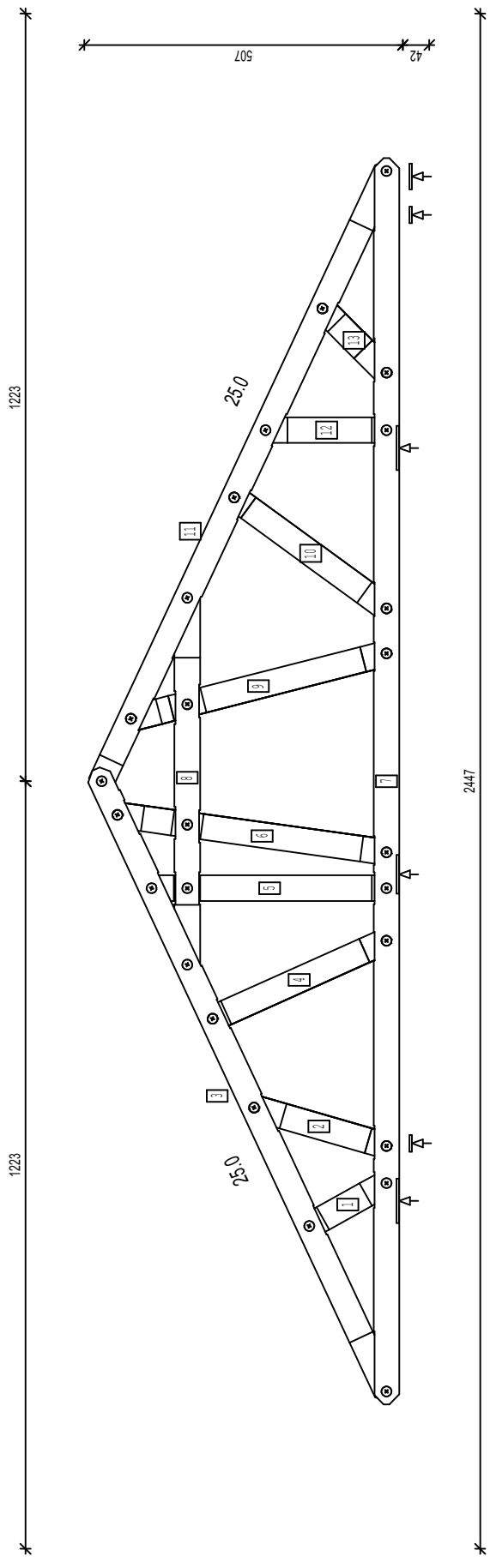
SCHEM. QTY.: 12



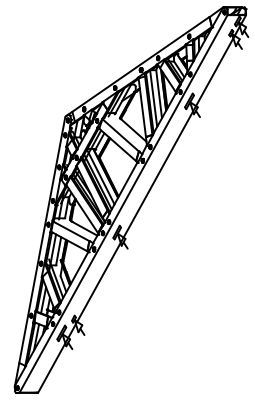
PIECE LIST				
LABEL	QTY	MATERIAL	DESCRIPTION	LENGTH
1	1	C89-41-0.75	WEB	194
2	1	C89-41-0.75	WEB	394
3	1	C89-41-0.75	BOTTOM CHORD	511
4	1	C89-41-0.75	TOP CHORD	511
5	1	C89-41-0.75	WEB	184
QTY	5		TOTAL LENGTH	1784mm

Truss: T17 Quantity: 1 PROJECT TAFE-MA1006640 PANEL HEIGHT 570 PANEL WEIGHT 8.5kg Metframe Australia Pty Ltd 05.06.2023 Customer: TAFE NSW

SCHEM. QTY: 61

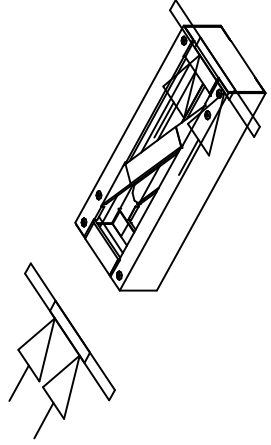
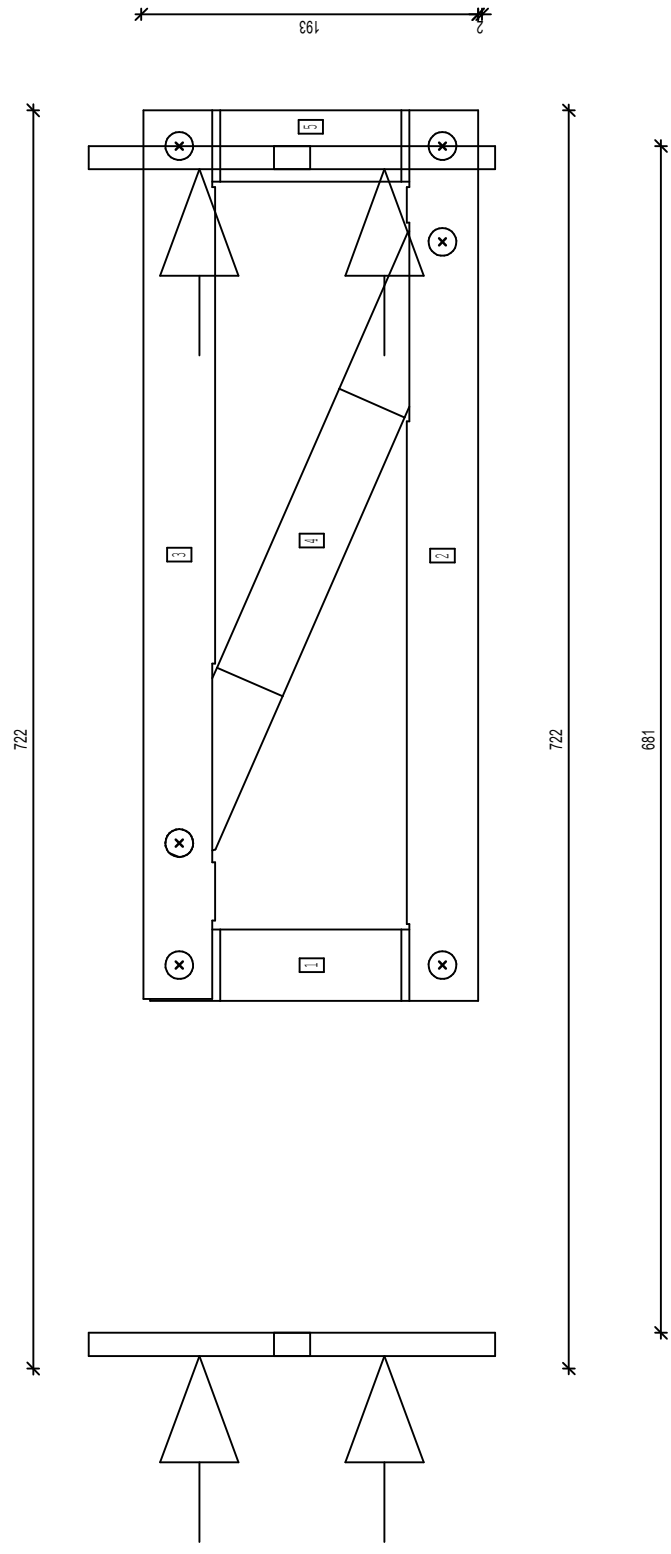


PIECE LIST	DESCRIPTION	LENGTH
1	1 C89-41-0.75 WEB	171
2	1 C89-41-0.75 WEB	254
3	1 C89-41-0.75 TOP CHORD	1111
4	1 C89-41-0.75 WEB	338
5	1 C89-41-0.75 WEB	405
6	1 C89-41-0.75 WEB	465
7	1 C89-41-0.75 BOTTOM CHORD	1986
8	1 C89-41-0.75 BOTTOM CHORD	613
9	1 C89-41-0.75 WEB	454
10	1 C89-41-0.75 WEB	333
11	1 C89-41-0.75 TOP CHORD	1108
12	1 C89-41-0.75 WEB	224
13	1 C89-41-0.75 WEB	177
QTY 13	TOTAL LENGTH	7638mm



Truss: T18 Quantity: 1 Spacing: 900 PROJECT TAFE-MA1006640 PANEL HEIGHT: 197 PANEL WEIGHT: 2.0kg Metframe Australia Pty Ltd 05.06.2023 Customer: TAFE NSW

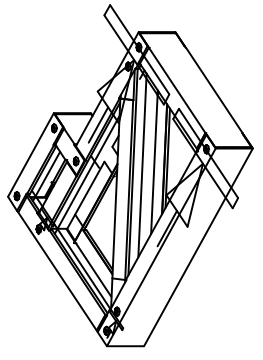
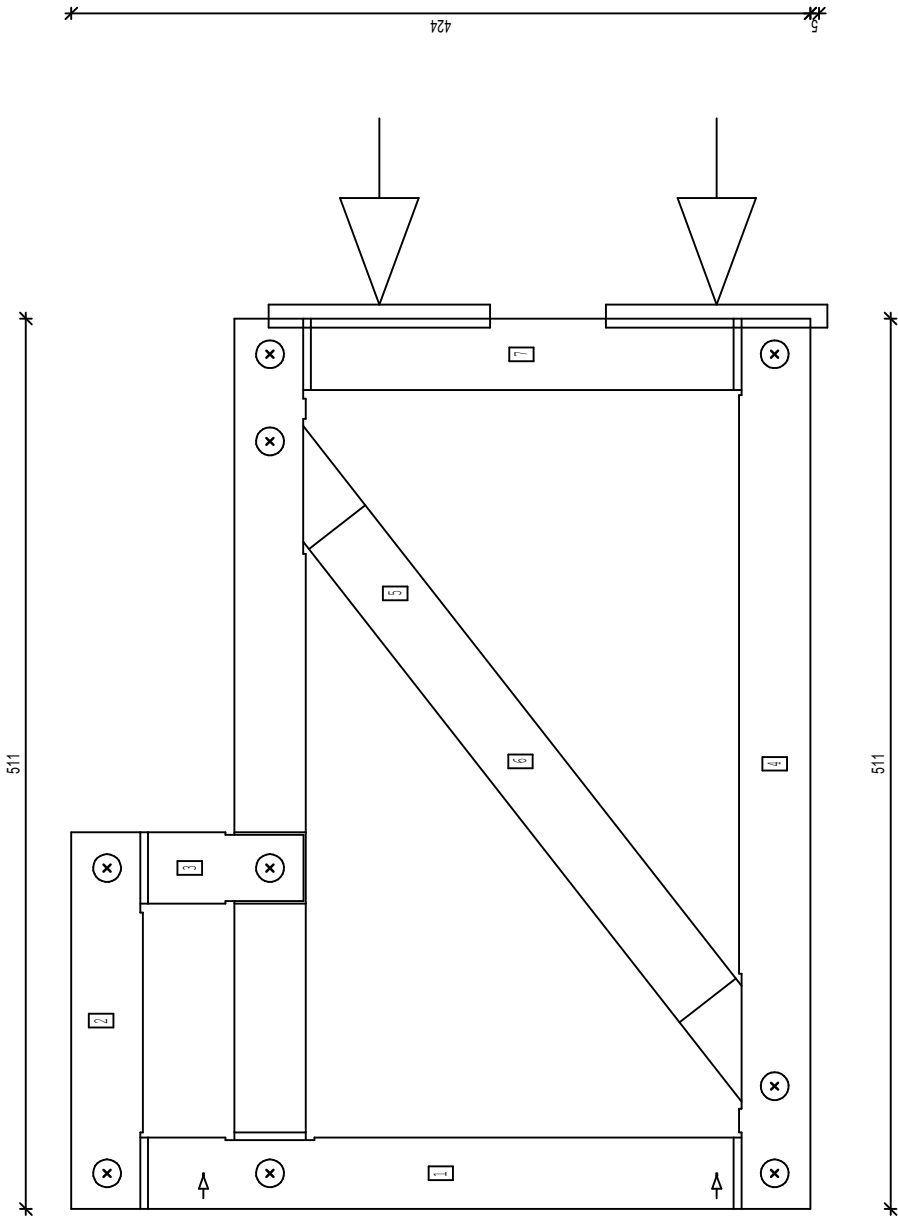
SCHEM. QTY.: 12



PIECE LIST				
LABEL	QTY	MATERIAL	DESCRIPTION	LENGTH
1	1	C89-41-0.75	WEB	186
2	1	C89-41-0.75	BOTTOM CHORD	511
3	1	C89-41-0.75	TOP CHORD	510
4	1	C89-41-0.75	WEB	394
5	1	C89-41-0.75	WEB	185
QTY_5	TOTAL LENGTH:			1786mm

Truss: T19 Quantity: 1 Spacing: 900 PROJECT TAFE-MA1006640 PANEL HEIGHT 424 PANEL WEIGHT 2.9kg Melframe Australia Pty Ltd 05.06.2023 Customer: TAFE NSW

SCHEM. QTY: 18

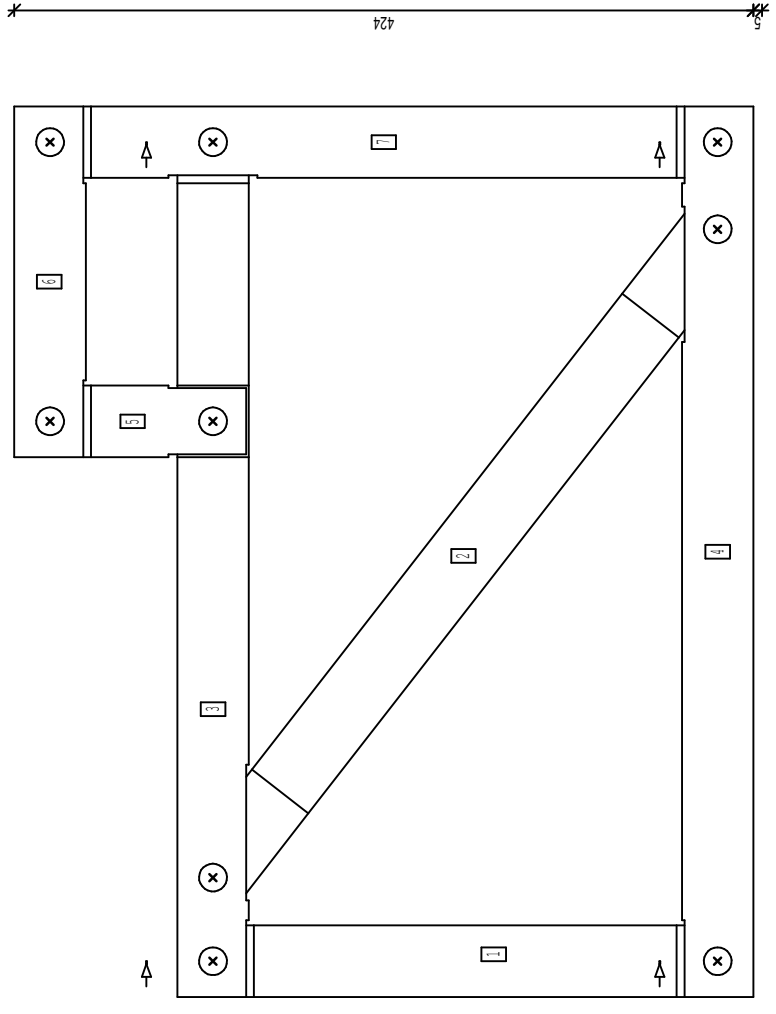


PIECE LIST		
LABEL	QTY MATERIAL	DESCRIPTION LENGTH
1	1	C89-41-0.75 WEB 417
2	1	C89-41-0.75 TOP CHORD 216
3	1	C89-41-0.75 WEB 130
4	1	C89-41-0.75 BOTTOM CHORD 511
5	1	C89-41-0.75 TOP CHORD 508
6	1	C89-41-0.75 WEB 504
7	1	C89-41-0.75 WEB 324
QTY	7	TOTAL LENGTH 2610mm

Truss: T20 Quantity: 1 PROJECT TAFE-MA1006640 PANEL HEIGHT 424 PANEL WEIGHT 2.9kg Metframe Australia Pty Ltd 05.06.2023 Customer: TAFE NSW

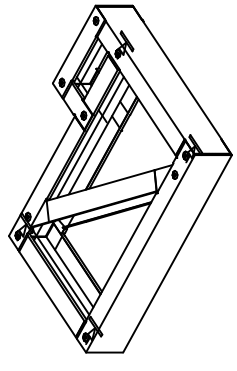
SCHEM. QTY: 18

511



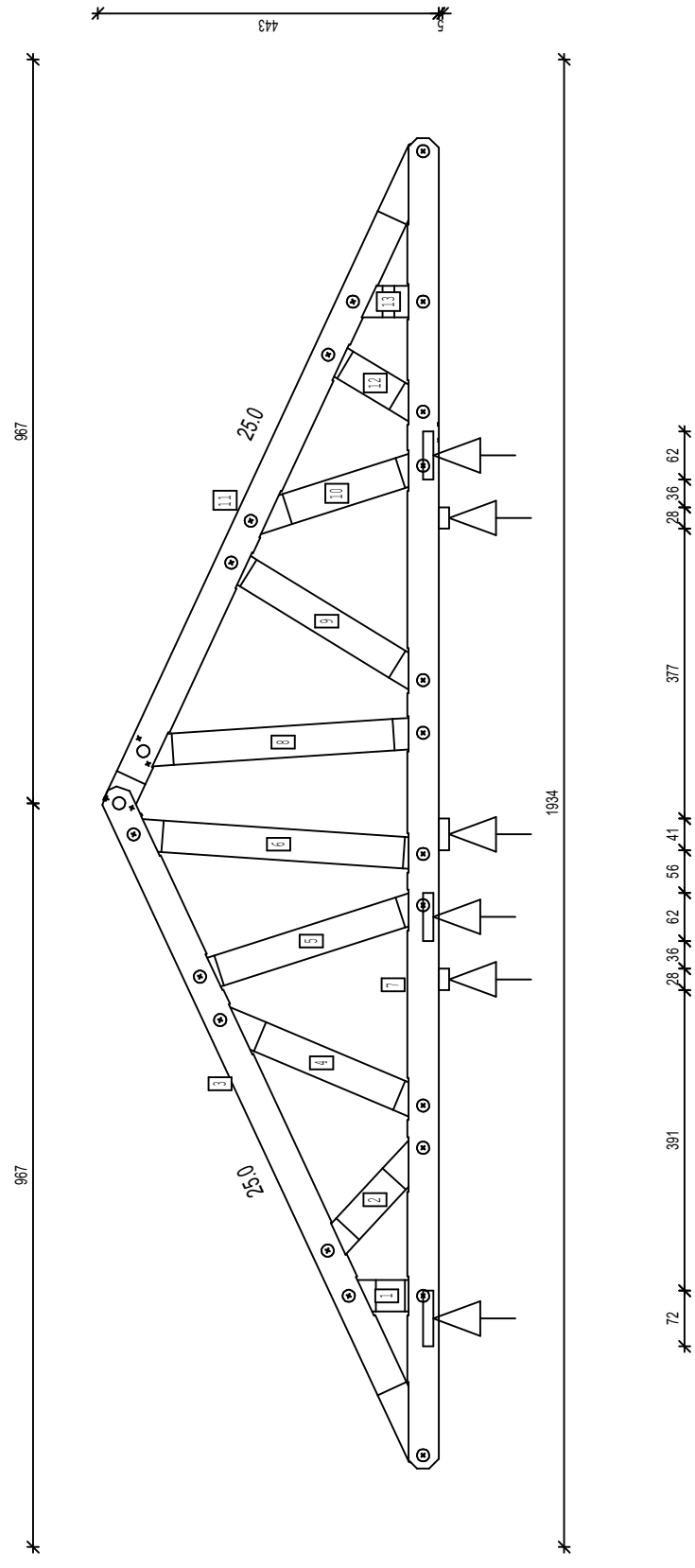
511

470



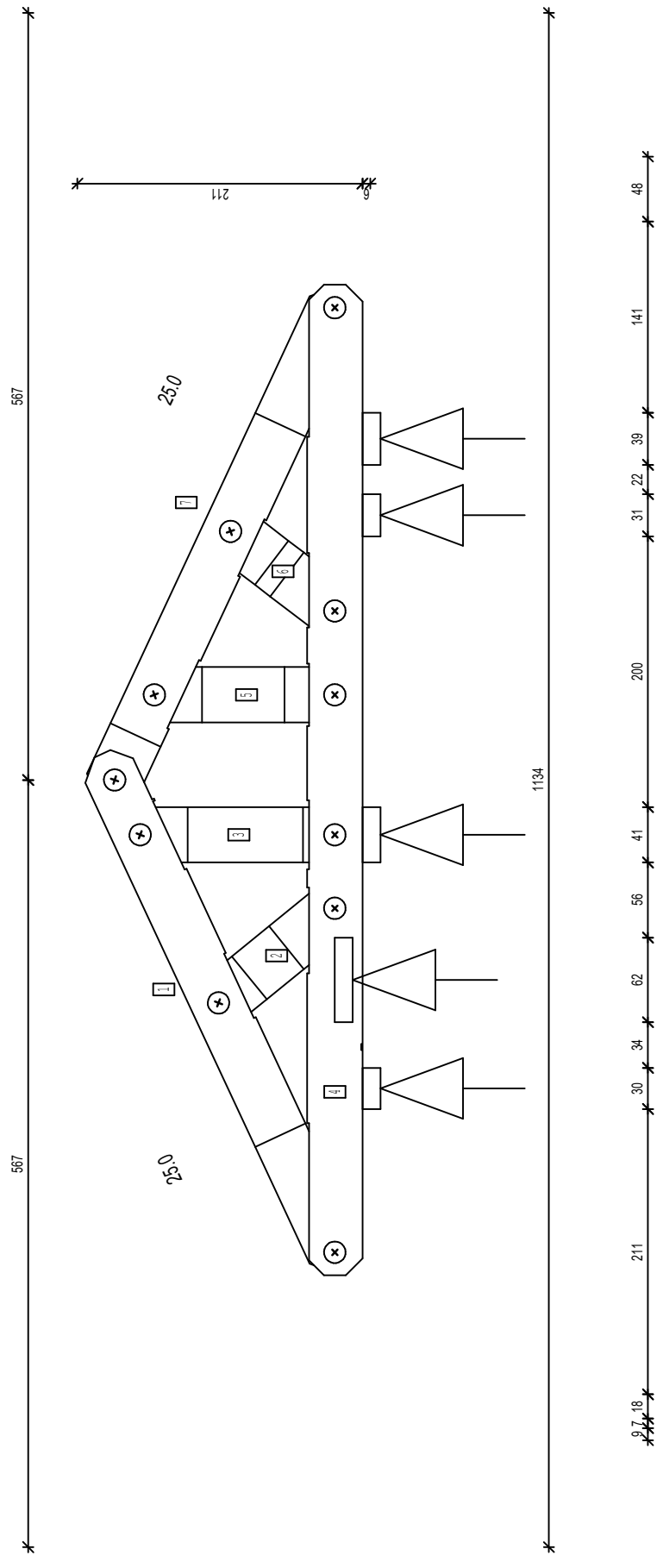
PIECE LIST			
LABEL	QTY	MATERIAL	LENGTH
1	1	C89-41-0.75	324
2	1	C89-41-0.75	505
3	1	C89-41-0.75	508
4	1	C89-41-0.75	511
5	1	C89-41-0.75	130
6	1	C89-41-0.75	201
7	1	C89-41-0.75	417
QTY	7		TOTAL LENGTH: 2696mm

SCHEM. QTY: 64

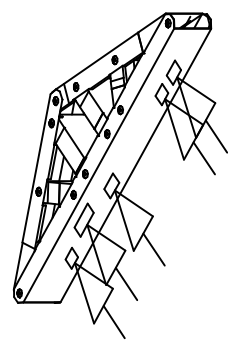


PIECE LIST LABEL	QTY	MATERIAL	DESCRIPTION	LENGTH
1	1	C89-41-0.75	WEB	128
2	1	C89-41-0.75	WEB	214
3	1	C89-41-0.75	TOP CHORD	969
4	1	C89-41-0.75	WEB	316
5	1	C89-41-0.75	WEB	306
6	1	C89-41-0.75	WEB	407
7	1	C89-41-0.75	BOTTOM CHORD	1730
8	1	C89-41-0.75	WEB	398
9	1	C89-41-0.75	WEB	323
10	1	C89-41-0.75	WEB	266
11	1	C89-41-0.75	TOP CHORD	966
12	1	C89-41-0.75	WEB	175
13	1	C89-41-0.75	WEB	126
TOTAL LENGTH:				635mm

SCHEM QTY: 28

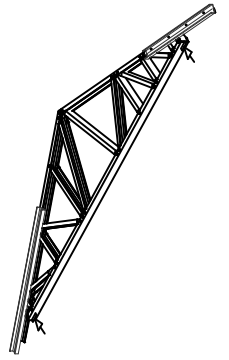
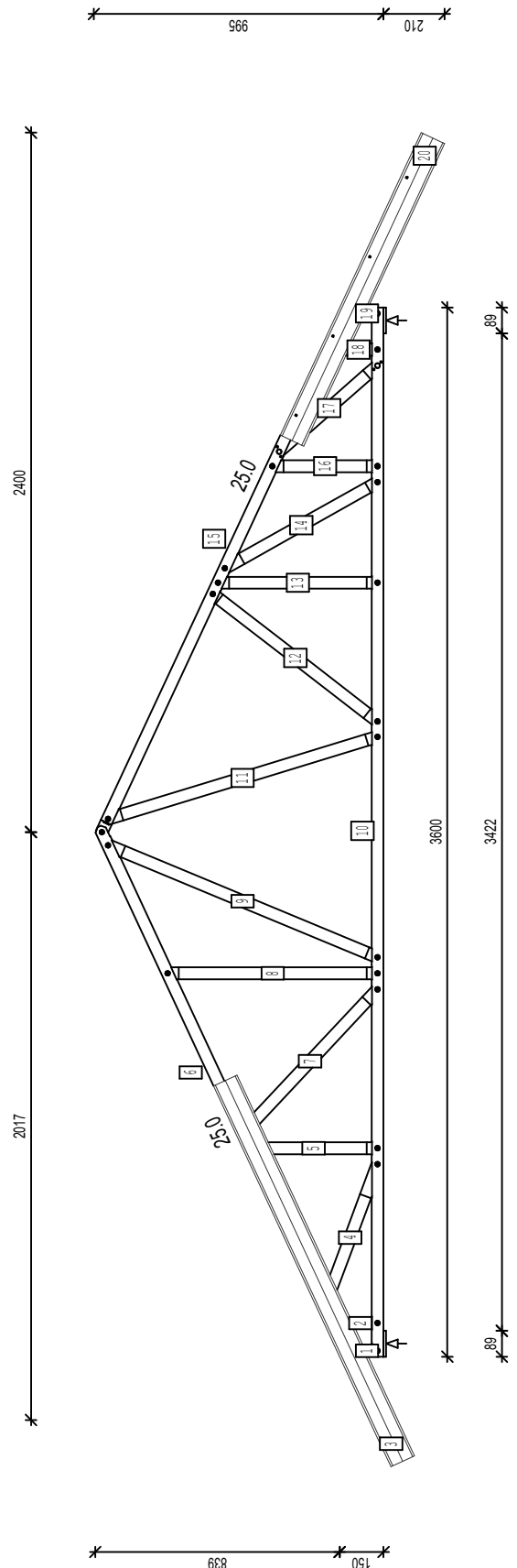


PIECE LIST	QTY	MATERIAL	DESCRIPTION	LENGTH
1	1	C89-41-0.75	TOP CHORD	419
2	1	C89-41-0.75	WEB	141
3	1	C89-41-0.75	WEB	175
4	1	C89-41-0.75	BOTTOM CHORD	732
5	1	C89-41-0.75	WEB	166
6	1	C89-41-0.75	WEB	131
7	1	C89-41-0.75	TOP CHORD	416
QTY	7		TOTAL LENGTH	2180mm



Truss: T25 Quantity: 1 PROJECT TAFE-MA1006640 PANEL HEIGHT 1199 PANEL WEIGHT 21.2kg Metframe Australia Pty Ltd 05.06.2023 Customer: TAFE NSW

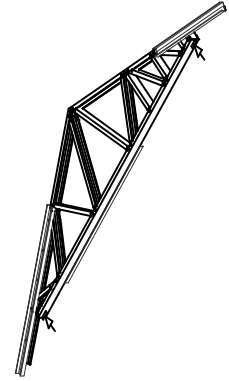
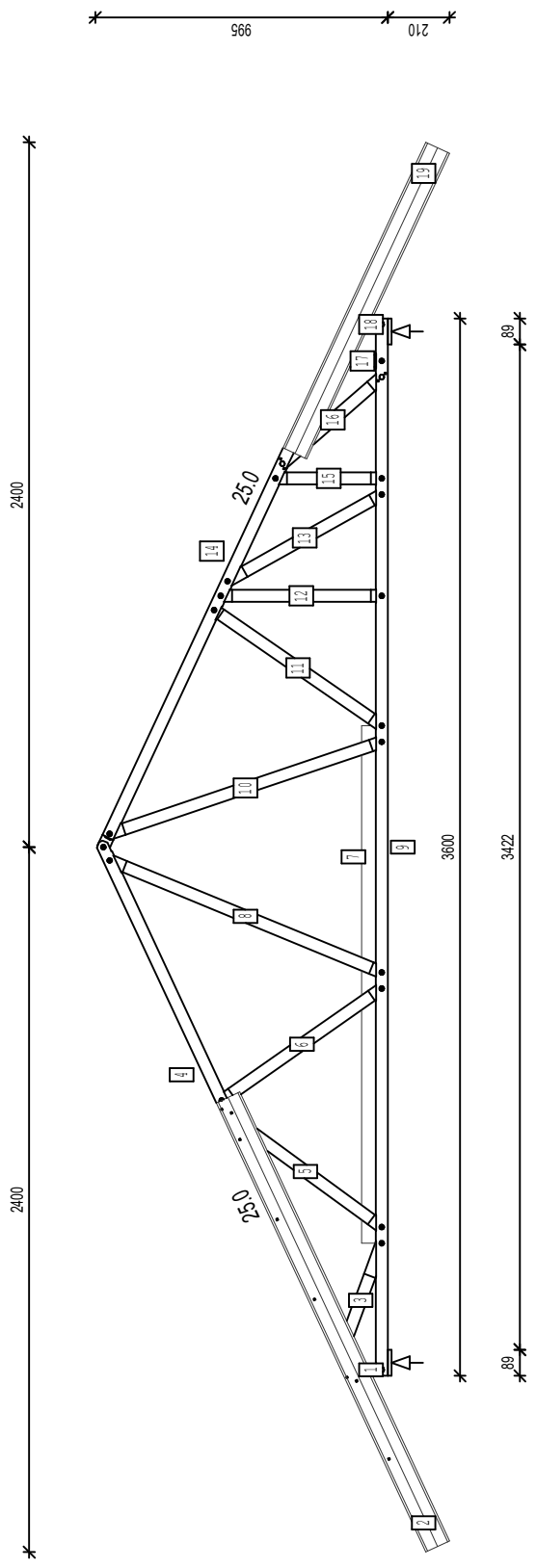
SCHEM. QTY.: 88



PEECE LIST	LABEL	QTY	MATERIAL	DESCRIPTION	LENGTH
	1	1	C89-41-0.75	WEB	151
	2	1	C89-41-0.75	WEB	195
	3	1	C89-41-0.75	SIDE REINFORCEME	1441
	4	1	C89-41-0.75	WEB	557
	5	1	C89-41-0.75	WEB	475
	6	1	C89-41-0.75	TOP CHORD	2314
	7	1	C89-41-0.75	WEB	713
	8	1	C89-41-0.75	WEB	755
	9	1	C89-41-0.75	WEB	1037
	10	1	C89-41-0.75	BOTTOM CHORD	3600
	11	1	C89-41-0.75	WEB	1002
	12	1	C89-41-0.75	WEB	748
	13	1	C89-41-0.75	WEB	582
	14	1	C89-41-0.75	WEB	634
	15	1	C89-41-0.75	TOP CHORD	2557
	16	1	C89-41-0.75	WEB	396
	17	1	C89-41-0.75	WEB	478
	18	1	C89-41-0.75	WEB	209
	19	1	C89-41-0.75	WEB	151
	20	1	C89-41-0.75	SIDE REINFORCEME	1145
	QTY. 20			TOTAL LENGTH	19140mm

Truss: T26 Quantity: 1 PROJECT TAFE-MA1006640 PANEL HEIGHT 1199 PANEL WEIGHT 22.7kg Metframe Australia Pty Ltd 05.06.2023 Customer: TAFE NSW

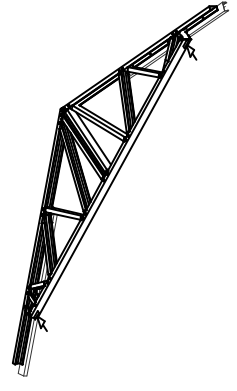
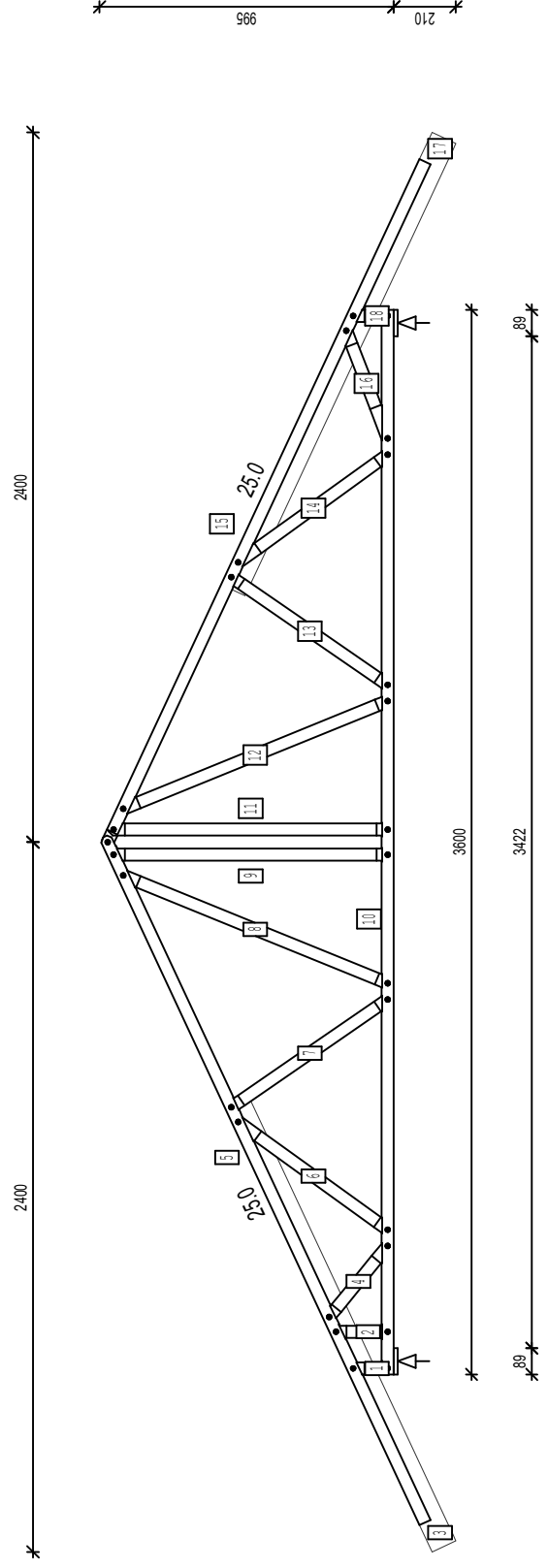
SCHEM QTY: 90



PIECE LIST	LABEL	QTY	MATERIAL	DESCRIPTION	LENGTH
	1	1	C89-41-0.75	WEB	151
	2	1	C89-41-0.75	SIDE REINFORCE	1687
	3	1	C89-41-0.75	WEB	434
	4	1	C89-41-0.75	TOP CHORD	2560
	5	1	C89-41-0.75	WEB	676
	6	1	C89-41-0.75	WEB	696
	7	1	C89-41-0.75	SIDE REINFORCE	1762
	8	1	C89-41-0.75	WEB	1035
	9	1	C89-41-0.75	BOTTOM CHORD	3600
	10	1	C89-41-0.75	WEB	1012
	11	1	C89-41-0.75	WEB	726
	12	1	C89-41-0.75	WEB	582
	13	1	C89-41-0.75	WEB	634
	14	1	C89-41-0.75	TOP CHORD	2557
	15	1	C89-41-0.75	WEB	396
	16	1	C89-41-0.75	WEB	478
	17	1	C89-41-0.75	WEB	206
	18	1	C89-41-0.75	WEB	151
	19	1	C89-41-0.75	SIDE REINFORCE	1148
	QTY 19			TOTAL LENGTH 20491mm	

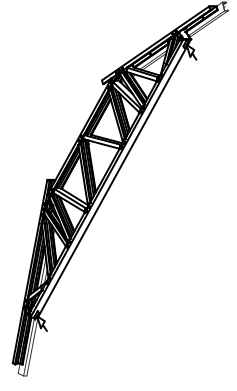
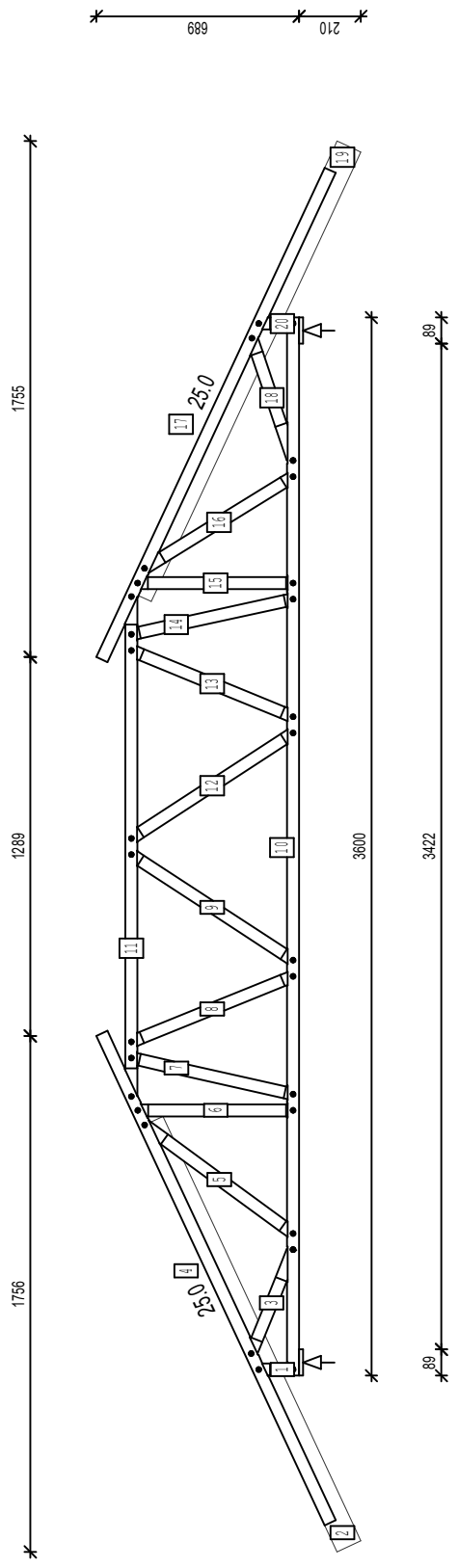
Truss: T27 Quantity: 1 PROJECT TAFE-MA1006640 PANEL HEIGHT 1199 PANEL WEIGHT 22.1kg Metframe Australia Pty Ltd 05.06.2023 Customer: TAFE NSW

SCHEM. QTY.: 82



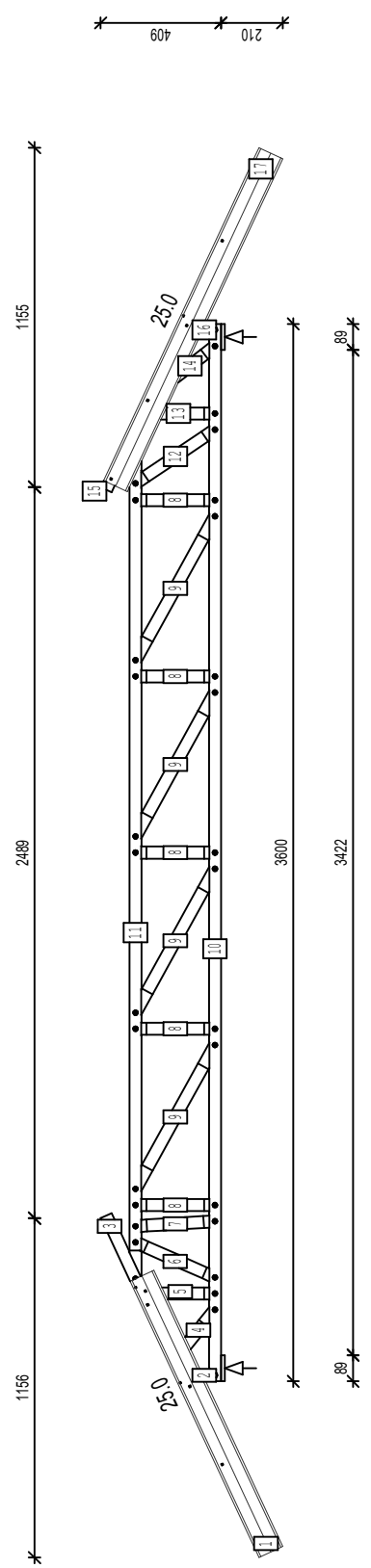
PIECE LIST	LABEL	QTY	MATERIAL	DESCRIPTION	LENGTH
	1	1	C89-41-0.75	WEB	151
	2	1	C89-41-0.75	WEB	206
	3	1	C89-41-0.75	SIDE REINFORCE	1650
	4	1	C89-41-0.75	WEB	345
	5	1	C89-41-0.75	TOP CHORD	2560
	6	1	C89-41-0.75	WEB	654
	7	1	C89-41-0.75	WEB	674
	8	1	C89-41-0.75	WEB	1000
	9	1	C89-41-0.75	WEB	961
	10	1	C89-41-0.75	BOTTOM CHORD	3600
	11	1	C89-41-0.75	WEB	961
	12	1	C89-41-0.75	WEB	1000
	13	1	C89-41-0.75	WEB	674
	14	1	C89-41-0.75	WEB	654
	15	1	C89-41-0.75	TOP CHORD	2557
	16	1	C89-41-0.75	WEB	419
	17	1	C89-41-0.75	SIDE REINFORCE	1687
	18	1	C89-41-0.75	WEB	151
QTY. 18				TOTAL LENGTH	1996mm

SCHEM. QTY.: 86



PECE LIST	LABEL	QTY	MATERIAL	DESCRIPTION	LENGTH
	1	1	C89-41-0.75	WEB	151
	2	1	C89-41-0.75	SIDE REINFORCE	1593
	3	1	C89-41-0.75	WEB	403
	4	1	C89-41-0.75	TOP CHORD	1837
	5	1	C89-41-0.75	WEB	656
	6	1	C89-41-0.75	WEB	560
	7	1	C89-41-0.75	WEB	594
	8	1	C89-41-0.75	WEB	627
	9	1	C89-41-0.75	WEB	691
	10	1	C89-41-0.75	BOTTOM CHORD	3600
	11	1	C89-41-0.75	TOP CHORD	1725
	12	1	C89-41-0.75	WEB	691
	13	1	C89-41-0.75	WEB	628
	14	1	C89-41-0.75	WEB	594
	15	1	C89-41-0.75	WEB	560
	16	1	C89-41-0.75	WEB	626
	17	1	C89-41-0.75	TOP CHORD	1837
	18	1	C89-41-0.75	WEB	459
	19	1	C89-41-0.75	SIDE REINFORCE	1687
	20	1	C89-41-0.75	WEB	151
QTY. 20				TOTAL LENGTH	19470mm

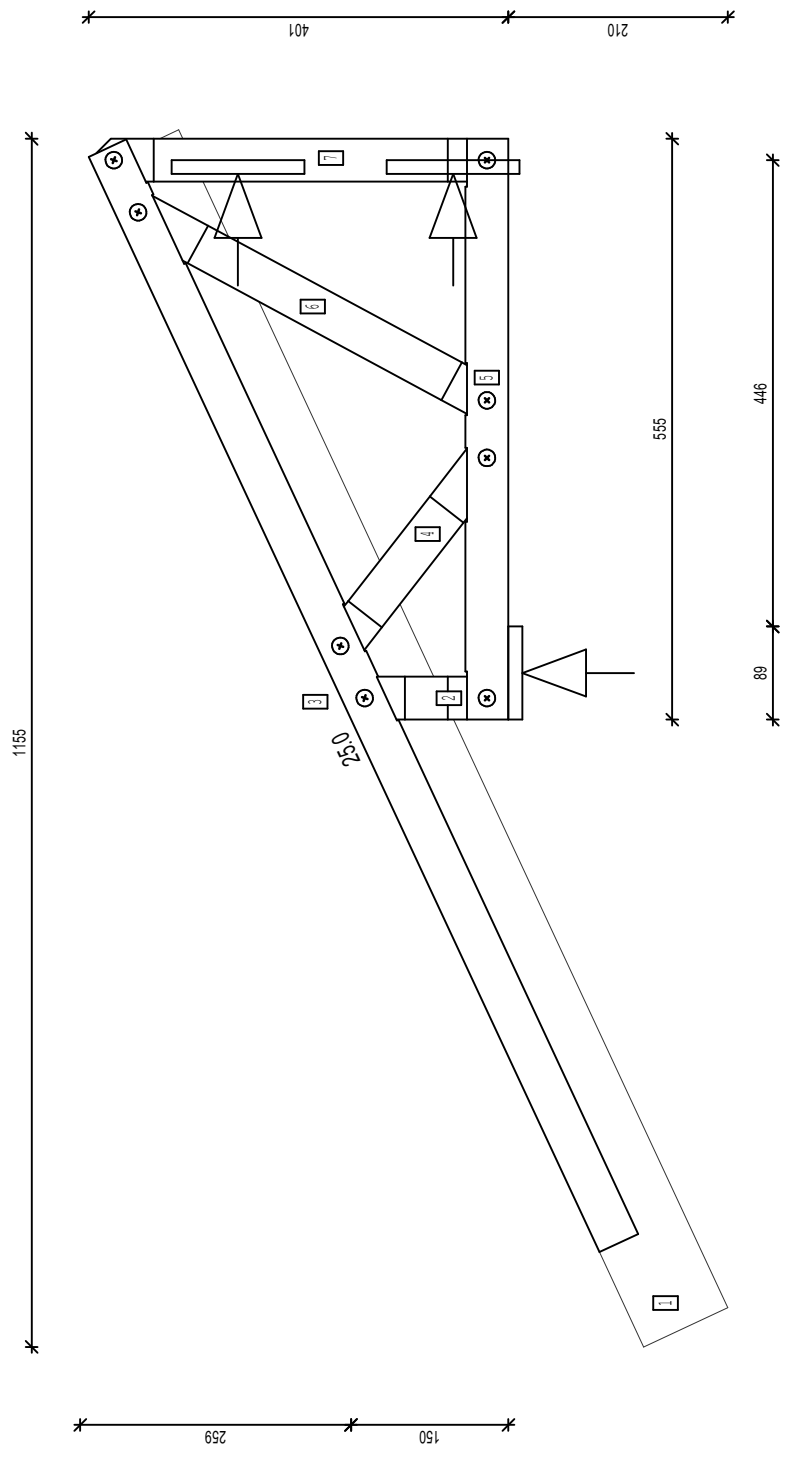
SCHEM. QTY: 98



PIECE LIST	LABEL	QTY	MATERIAL	DESCRIPTION	LENGTH
	1	1	C89-41-0.75	SIDE REINFORCE	1038
	2	1	C89-41-0.75	WEB	151
	3	1	C89-41-0.75	TOP CHORD	1175
	4	1	C89-41-0.75	WEB	257
	5	1	C89-41-0.75	WEB	281
	6	1	C89-41-0.75	WEB	328
	7	1	C89-41-0.75	WEB	304
	8	5	C89-41-0.75	WEB	306
	9	4	C89-41-0.75	WEB	587
	10	1	C89-41-0.75	BOTTOM CHORD	3600
	11	1	C89-41-0.75	TOP CHORD	2925
	12	1	C89-41-0.75	WEB	358
	13	1	C89-41-0.75	WEB	294
	14	1	C89-41-0.75	WEB	317
	15	1	C89-41-0.75	TOP CHORD	1175
	16	1	C89-41-0.75	WEB	151
	17	1	C89-41-0.75	SIDE REINFORCE	1250
	QTY 24			TOTAL LENGTH	17472mm

Truss: T30 Quantity: 1 Spacing: 600 PROJECT TAFE-MA1006640 PANEL HEIGHT 619 PANEL WEIGHT 4.6kg Metframe Australia Pty Ltd 05.06.2023 Customer: TAFE NSW

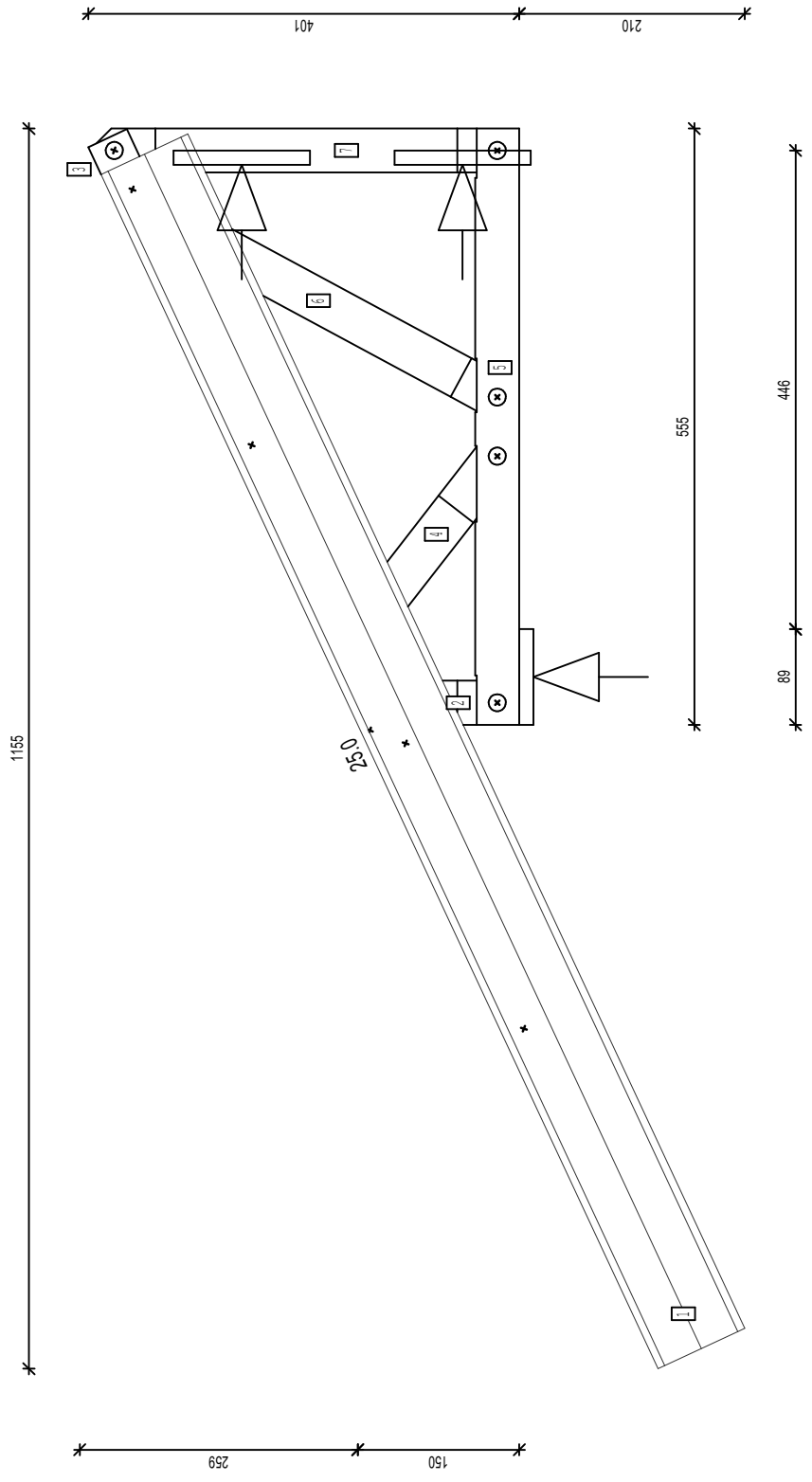
SCHEM. QTY.: 2.6



PIECE LIST				
LABEL	QTY	MATERIAL	DESCRIPTION	LENGTH
1	1	C89-41-0.75	SIDE REINFORCE	1243
2	1	C89-41-0.75	WEB	151
3	1	C89-41-0.75	TOP CHORD	1156
4	1	C89-41-0.75	WEB	261
5	1	C89-41-0.75	BOTTOM CHORD	556
6	1	C89-41-0.75	WEB	412
7	1	C89-41-0.75	WEB	391
			TOTAL LENGTH	4170mm

Truss: T31 Quantity: 2 PROJECT TAFE-MA1006640 PANEL HEIGHT 619 PANEL WEIGHT 4.6kg Meiframe Australia Pty Ltd 05.06.2023 Customer: TAFE NSW Spacing: 600

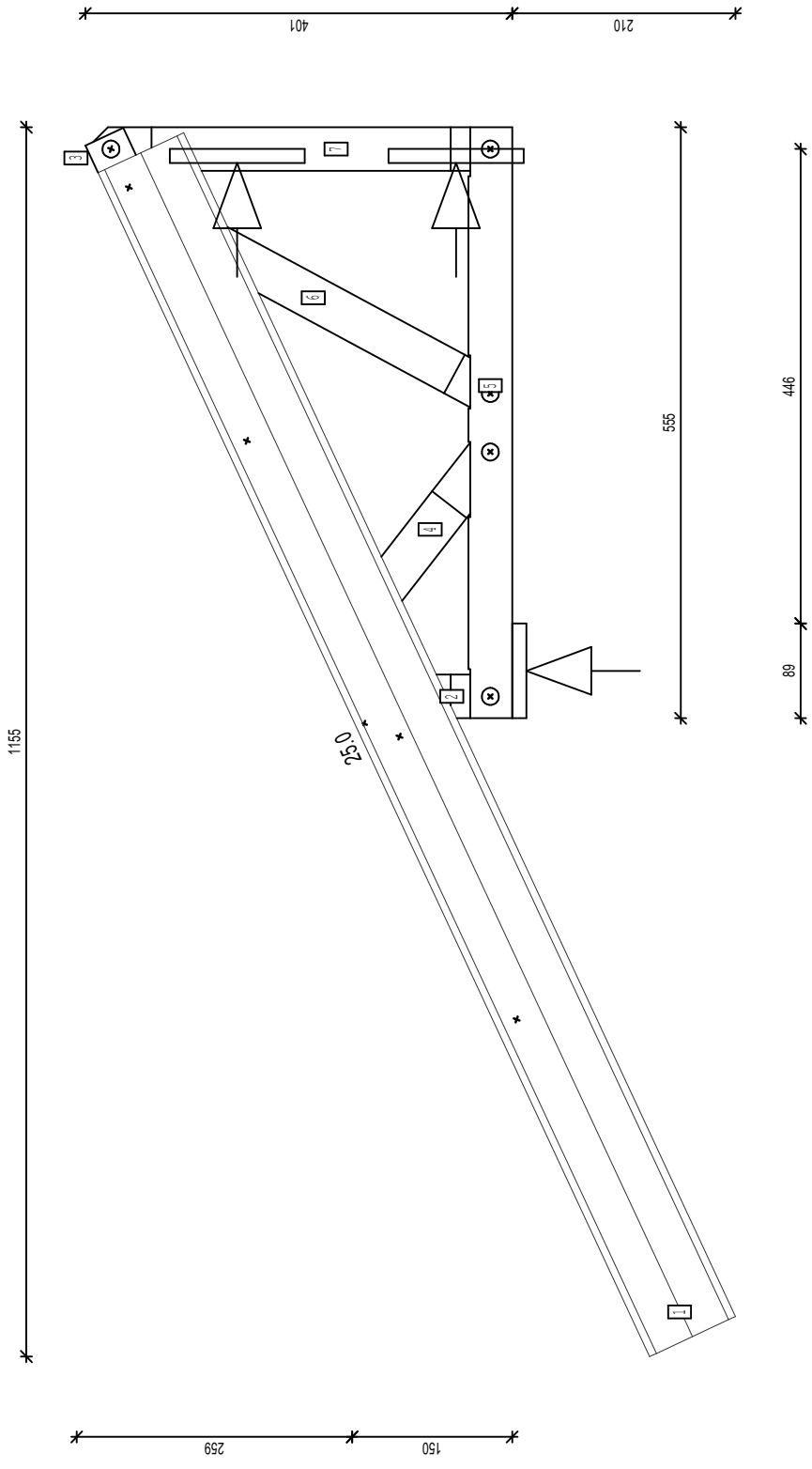
SCHEM. QTY: 26



PIECE LIST				
LABEL	QTY	MATERIAL	DESCRIPTION	LENGTH
1	1	C89-41-0.75	SIDE REINFORCE	1228
2	1	C89-41-0.75	WEB	151
3	1	C89-41-0.75	TOP CHORD	1156
4	1	C89-41-0.75	WEB	261
5	1	C89-41-0.75	BOTTOM CHORD	556
6	1	C89-41-0.75	WEB	412
7	1	C89-41-0.75	WEB	391
QTY			TOTAL LENGTH	4155mm

Truss: T32 Quantity: 1 PROJECT TAFE-MA1006640 PANEL HEIGHT 619 PANEL WEIGHT 4.6kg Metframe Australia Pty Ltd 05.06.2023 Customer: TAFE NSW

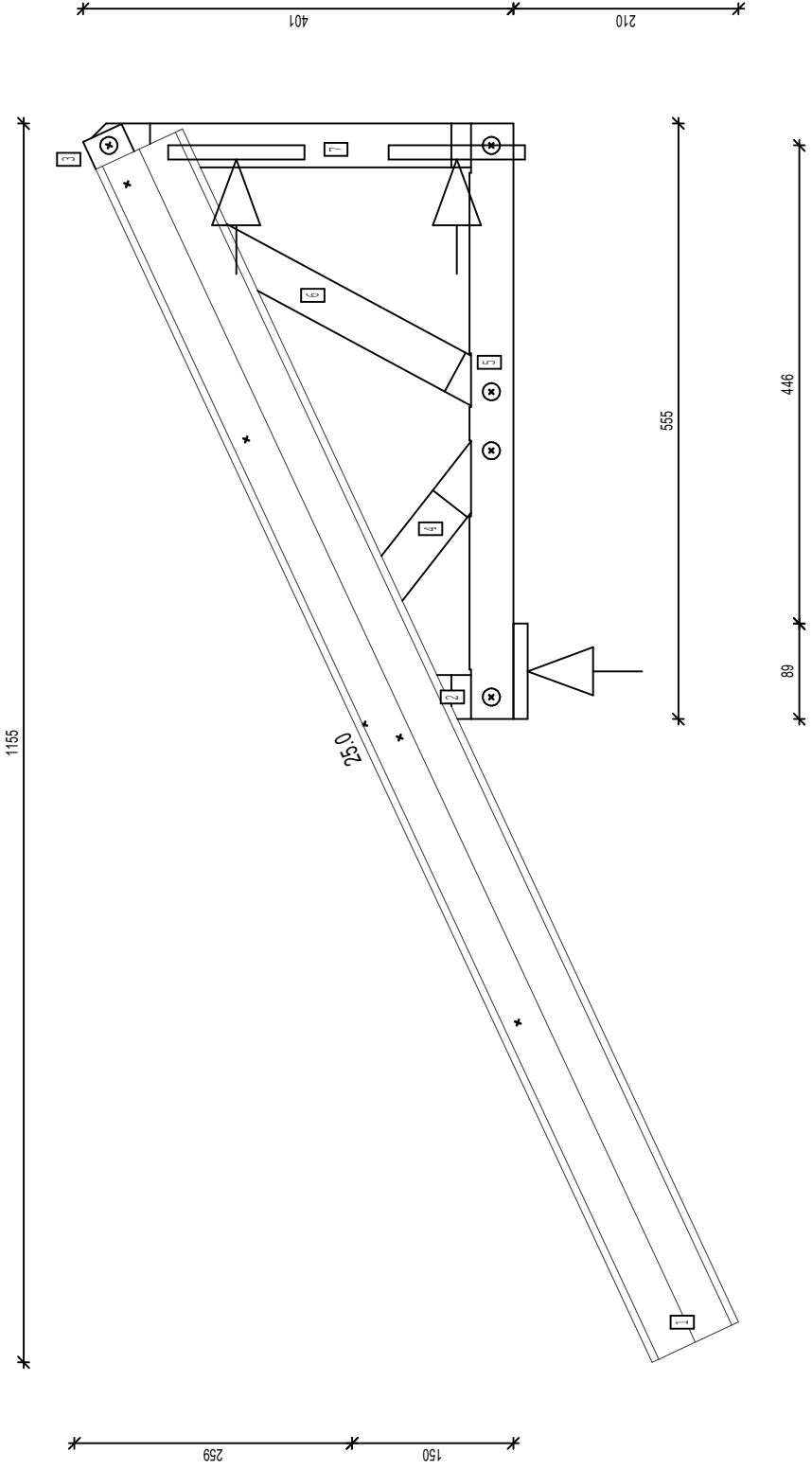
SCHEM. QTY: 2.6



PIECE LIST			
LABEL	QTY	DESCRIPTION	LENGTH
1	1	C89-41-0.75 SIDE REINFORCE	1228
2	1	C89-41-0.75 WEB	151
3	1	C89-41-0.75 TOP CHORD	1156
4	1	C89-41-0.75 WEB	261
5	1	C89-41-0.75 BOTTOM CHORD	556
6	1	C89-41-0.75 WEB	412
7	1	C89-41-0.75 WEB	391
TOTAL LENGTH:			4155mm

Truss: T33 Quantity: 1 PROJECT: TAFE-MA1006640 PANEL HEIGHT: 619 PANEL WEIGHT: 4.6kg Metframe Australia Pty Ltd 05.06.2023 Customer: TAFE NSW

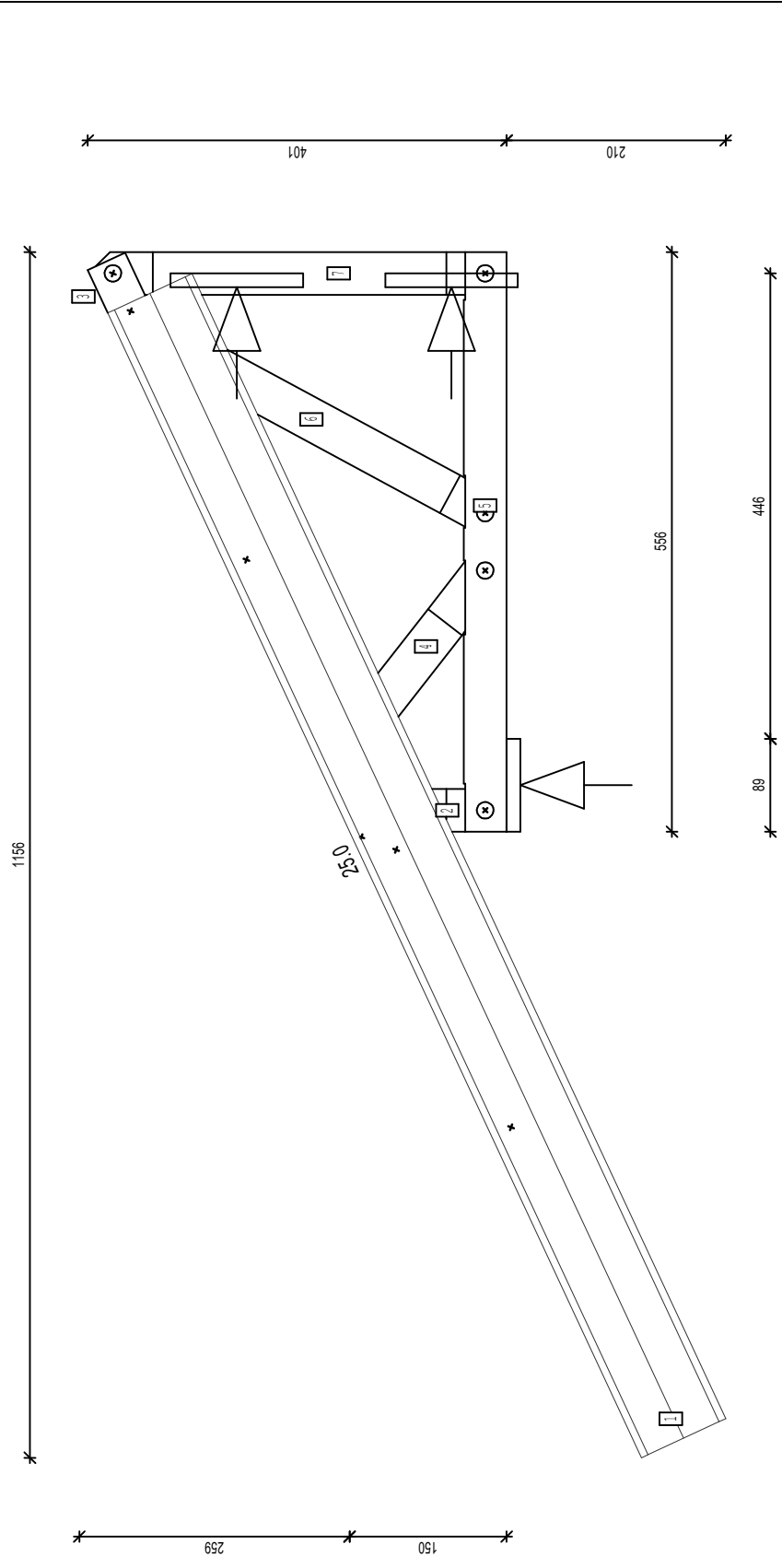
SCHEM. QTY.: 26



PIECE LIST			
LABEL	QTY	DESCRIPTION	LENGTH
1	1	CS9-41-0.75 SIDE REINFORCE	1228
2	1	CS9-41-0.75 WEB	151
3	1	CS9-41-0.75 TOP CHORD	1156
4	1	CS9-41-0.75 WEB	261
5	1	CS9-41-0.75 BOTTOM CHORD	556
6	1	CS9-41-0.75 WEB	412
7	1	CS9-41-0.75 WEB	391
TOTAL			4155mm

Truss: T34 Quantity: 1 PROJECT: TAFE-MA1006640 PANEL HEIGHT: 619 PANEL WEIGHT: 4.6kg Metframe Australia Pty Ltd 05.06.2023 Customer: TAFE NSW

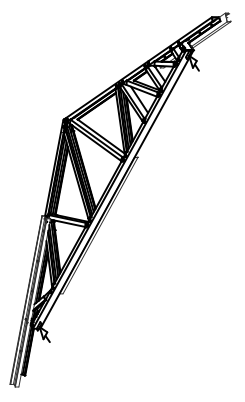
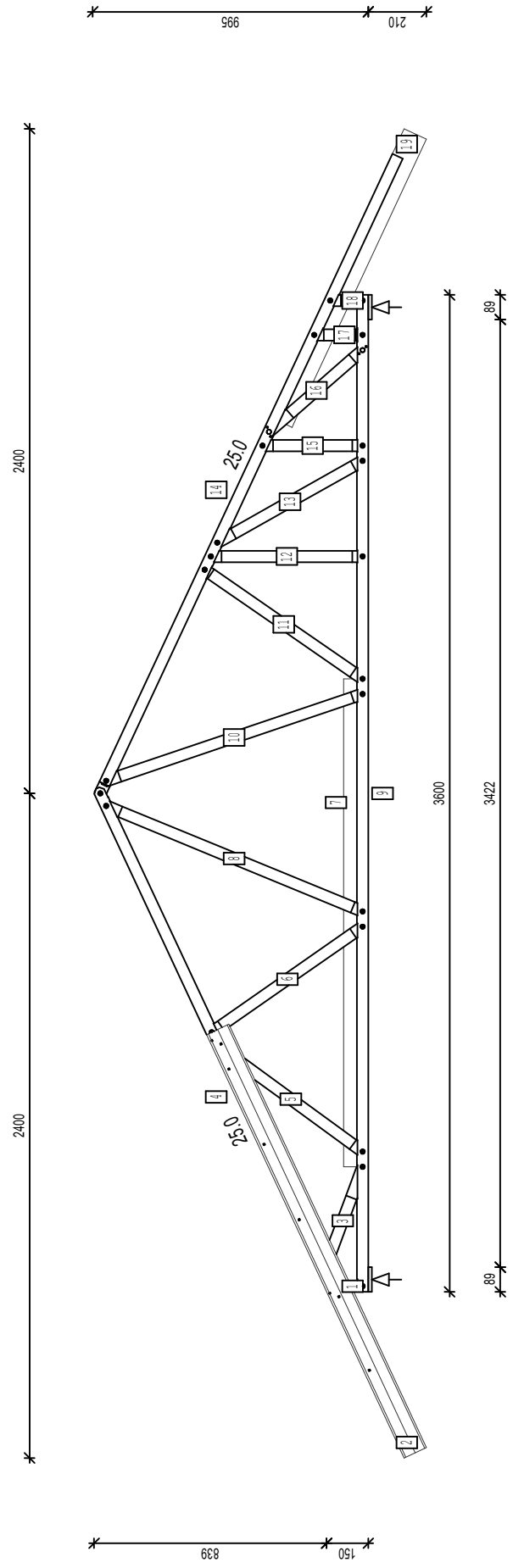
SCHEM. QTY.: 26



PIECE LIST				
LABEL	QTY	MATERIAL	DESCRIPTION	LENGTH
1	1	C89-41-0.75	SIDE REINFORCE	1210
2	1	C89-41-0.75	WEB	151
3	1	C89-41-0.75	TOP CHORD	1156
4	1	C89-41-0.75	WEB	261
5	1	C89-41-0.75	BOTTOM CHORD	556
6	1	C89-41-0.75	WEB	412
7	1	C89-41-0.75	WEB	391
QTY: 7			TOTAL LENGTH:	4137mm

Truss: T35 Quantity: 1 PROJECT: TAFE-MA1006640 PANEL HEIGHT: 1199 PANEL WEIGHT: 22.7kg Metframe Australia Pty Ltd
 Spacing: 600 05.06.2023 Customer: TAFE NSW

SCHEM. QTY: 104



PIECE LIST	LABEL	QTY	MATERIAL	DESCRIPTION	LENGTH
	1	1	C89-41-0.75	WEB	151
	2	1	C89-41-0.75	SIDE REINFORCE	1687
	3	1	C89-41-0.75	WEB	434
	4	1	C89-41-0.75	TOP CHORD	2560
	5	1	C89-41-0.75	WEB	676
	6	1	C89-41-0.75	WEB	696
	7	1	C89-41-0.75	SIDE REINFORCE	1762
	8	1	C89-41-0.75	WEB	1035
	9	1	C89-41-0.75	BOTTOM CHORD	3600
	10	1	C89-41-0.75	WEB	1012
	11	1	C89-41-0.75	WEB	726
	12	1	C89-41-0.75	WEB	582
	13	1	C89-41-0.75	WEB	634
	14	1	C89-41-0.75	TOP CHORD	2557
	15	1	C89-41-0.75	WEB	396
	16	1	C89-41-0.75	WEB	478
	17	1	C89-41-0.75	WEB	206
	18	1	C89-41-0.75	WEB	151
	19	1	C89-41-0.75	SIDE REINFORCE	1148
	QTY 19			TOTAL LENGTH	20491mm

ROOF PANEL
R1

QUANTITY
1

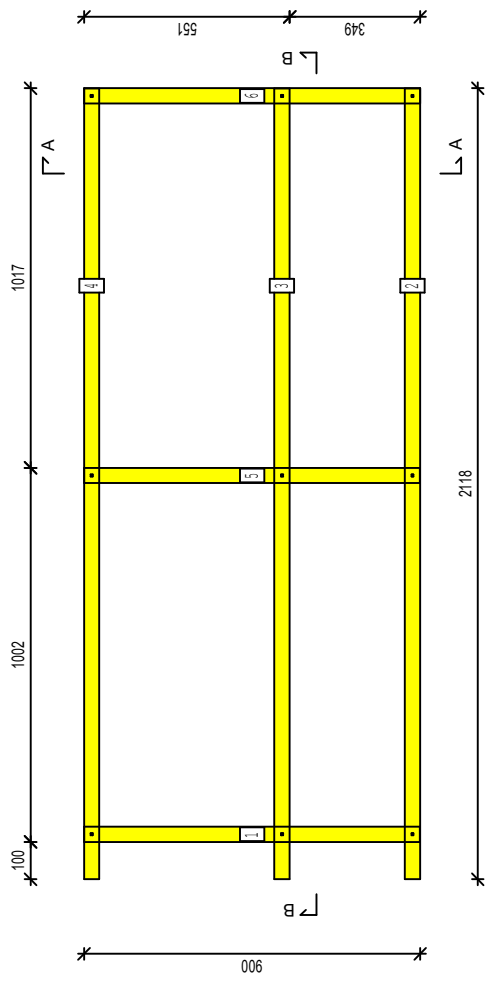
PROJECT
TAFE-MA1006640

FRAME WEIGHT - 10.0kg
PANEL WEIGHT - 10.0kg

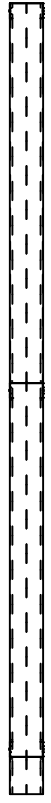
Melfane Australia Pty Ltd
04.06.2023 Customer: TAFE NSW

SCREEN QTY: 10

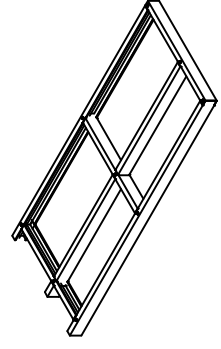
PIECE LIST			
LABEL	QTY	DESCRIPTION	LENGTH
1	1	C89-41-0.75 FASCIA BOARD	899
2	1	C89-41-0.75 RAKE	2118
3	1	C89-41-0.75 RAFTER	2118
4	1	C89-41-0.75 RAKE	2118
5	1	C89-41-0.75 BLOCK	899
6	1	C89-41-0.75 RIDGE	900
QTY: 6			TOTAL LENGTH: 9052mm



A-A



B-B



ROOF PANEL
R2

QUANTITY
1

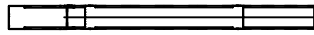
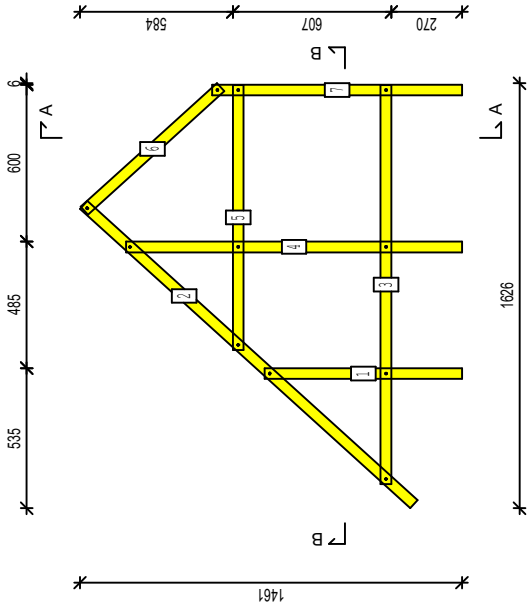
PROJECT
TAFE-MA1006640

FRAME WEIGHT - 8.8kg
PANEL WEIGHT - 8.8kg

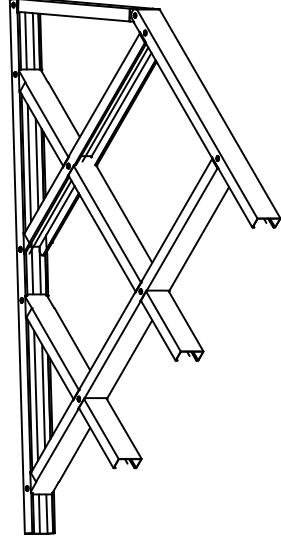
MelFrame Australia Pty Ltd
05.06.2023 Customer: TAFE NSW

SCREEN QTY: 22

PIECE LIST				
LABEL	QTY	MATERIAL	DESCRIPTION	LENGTH
1	1	C89-41-0.75	RAFTER	7054
2	1	C89-41-0.75	HIP RAFTER	1705
3	1	C89-41-0.75	FASCIA BOARD	1527
4	1	C89-41-0.75	RAFTER	1285
5	1	C89-41-0.75	BLOCK	1014
6	1	C89-41-0.75	BLOCK	704
7	1	C89-41-0.75	RAKE	956
QTY: 7				TOTAL LENGTH: 7946mm



A-A



B-B

ROOF PANEL
R3

QUANTITY
1

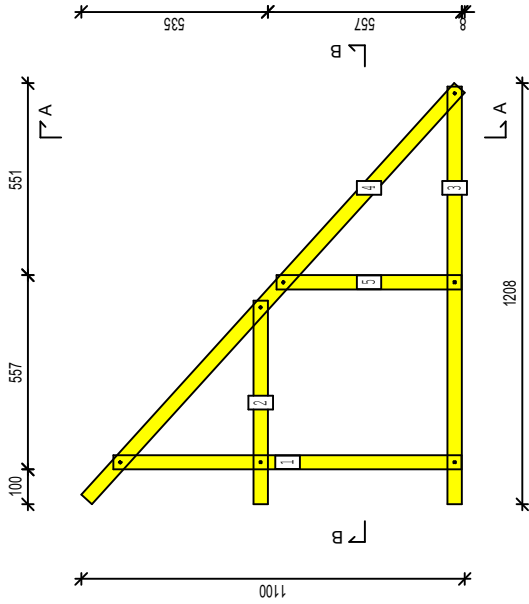
PROJECT
TAFE-MA1006640

FRAME WEIGHT - 5.4kg
PANEL WEIGHT - 5.4kg

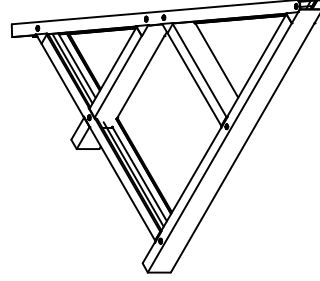
Meltrane Australia Pty Ltd
05.06.2023 Customer: TAFE NSW

SCREEN QTY: 14

PIECE LIST			
LABEL	QTY	DESCRIPTION	LENGTH
1	1	C89-41-0.75 FASCIA BOARD	999
2	1	C89-41-0.75 RAFTER	584
3	1	C89-41-0.75 RAKE	1198
4	1	C89-41-0.75 HIP RAFTER	1593
5	1	C89-41-0.75 BLOCK	531
QTY: 5			TOTAL LENGTH: 4905mm



A-A



B-B

ROOF PANEL
R4

QUANTITY
1

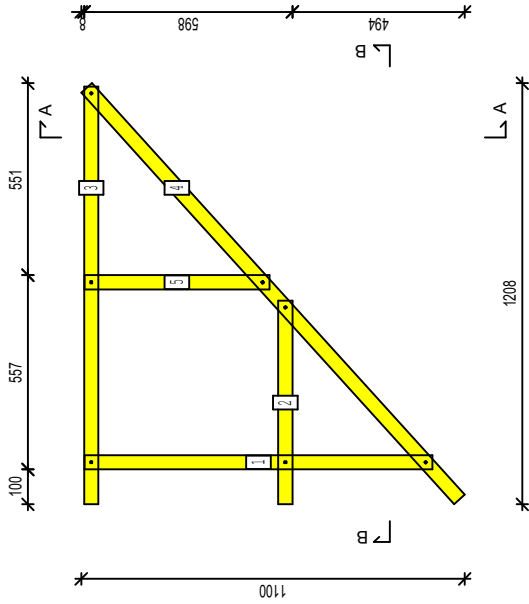
PROJECT
TAFE-MA1006640

FRAME WEIGHT - 5.4kg
PANEL WEIGHT - 5.4kg

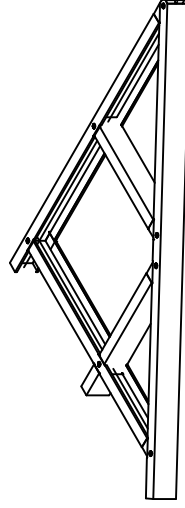
MelFrame Australia Pty Ltd
05.06.2023 Customer: TAFE NSW

SCREEN QTY: 14

PIECE LIST				
LABEL	QTY	MATERIAL	DESCRIPTION	LENGTH
1	1	C89-41-0.75	FASCIA BOARD	999
2	1	C89-41-0.75	RAFTER	584
3	1	C89-41-0.75	RAKE	1198
4	1	C89-41-0.75	HIP RAFTER	1993
5	1	C89-41-0.75	BLOCK	531
QTY: 5				TOTAL LENGTH: 4905mm



A-A



B-B

ROOF PANEL
R5

QUANTITY
1

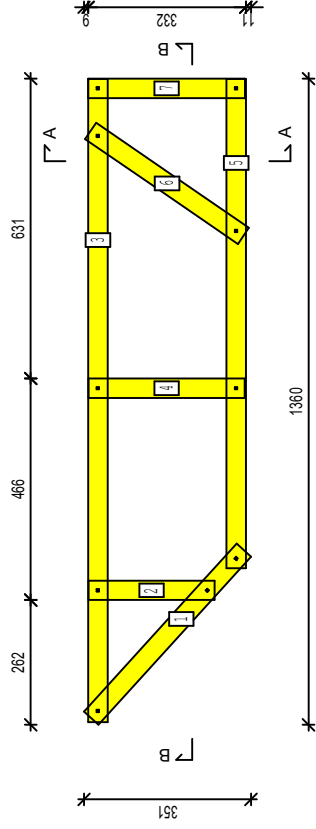
PROJECT
TAFE-MA1006640

FRAME WEIGHT - 4.6kg
PANEL WEIGHT - 4.8kg

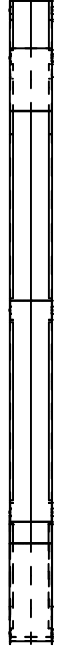
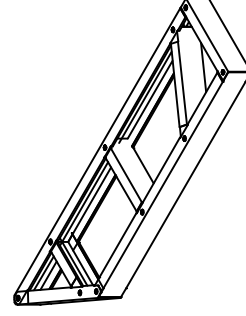
Melfane Australia Pty Ltd
05.06.2023 Customer: TAFE NSW

SCREEN QTY: 20

PIECE LIST				
LABEL	QTY	MATERIAL	DESCRIPTION	LENGTH
1	1	C89-41-0.75	BLOCK	478
2	1	C89-41-0.75	FASCIA BOARD	265
3	1	C89-41-0.75	RAKE	1354
4	1	C89-41-0.75	BLOCK	328
5	1	C89-41-0.75	RAFTER	1030
6	1	C89-41-0.75	BLOCK	390
7	1	C89-41-0.75	RIDGE	330
QTY: 7				TOTAL LENGTH: 4175mm



A-A



B-B

ROOF PANEL
R6

QUANTITY
1

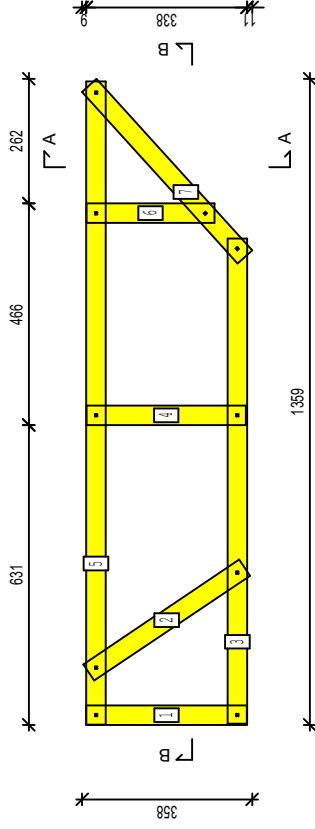
PROJECT
TAFE-MA1006640

FRAME WEIGHT - 4.7kg
PANEL WEIGHT - 4.7kg

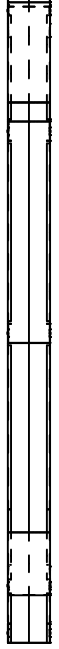
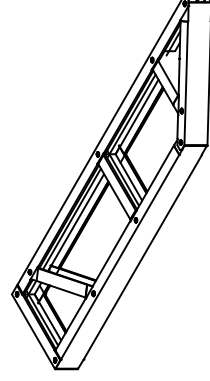
Melfane Australia Pty Ltd
05.06.2023 Customer: TAFE NSW

SCREEN QTY: 20

PIECE LIST			
LABEL	QTY	DESCRIPTION	LENGTH
1	1	C89-41-0.75 RIDGE	338
2	1	C89-41-0.75 BLOCK	395
3	1	C89-41-0.75 RAFTER	1020
4	1	C89-41-0.75 BLOCK	335
5	1	C89-41-0.75 RAKE	1353
6	1	C89-41-0.75 FASCIA BOARD	269
7	1	C89-41-0.75 RAKE	487
QTY 7			TOTAL LENGTH 4197mm



A-A



B-B

ROOF PANEL
R7

QUANTITY
1

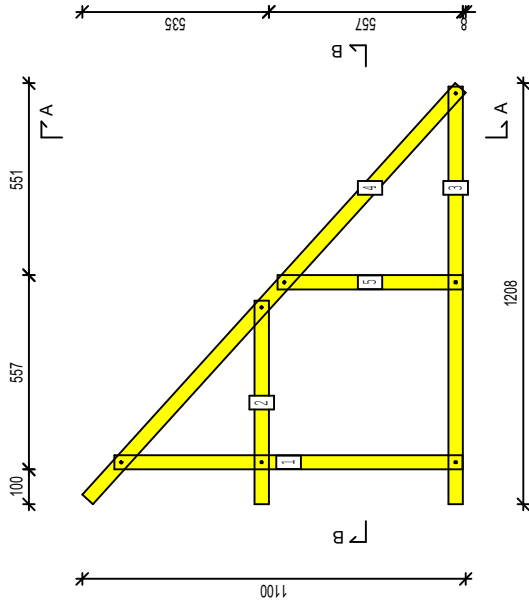
PROJECT
TAFE-MA1006640

FRAME WEIGHT - 5.4kg
PANEL WEIGHT - 5.4kg

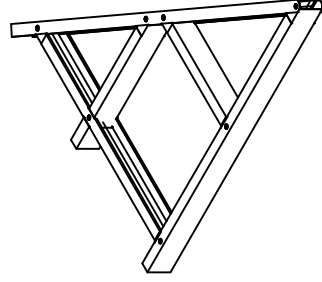
Meltrane Australia Pty Ltd
05.06.2023 Customer: TAFE NSW

SCREEN QTY: 14

PIECE LIST				
LABEL	QTY	MATERIAL	DESCRIPTION	LENGTH
1	1	C89-41-0.75	FASCIA BOARD	999
2	1	C89-41-0.75	RAFTER	584
3	1	C89-41-0.75	RAKE	1198
4	1	C89-41-0.75	HIP RAFTER	1593
5	1	C89-41-0.75	BLOCK	531
QTY: 5				TOTAL LENGTH: 4905mm



A-A



B-B

ROOF PANEL
R8

QUANTITY
1

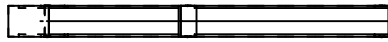
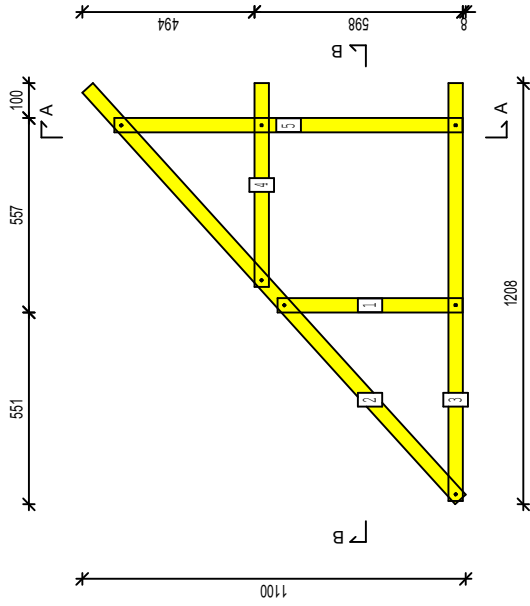
PROJECT
TAFE-MA1006640

FRAME WEIGHT - 5.4kg
PANEL WEIGHT - 5.4kg

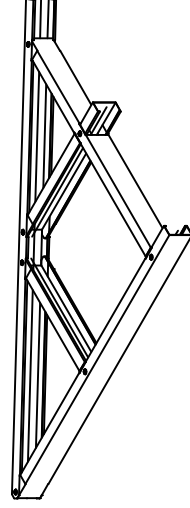
Melframe Australia Pty Ltd
05.06.2023 Customer: TAFE NSW

SCREEN QTY: 14

PIECE LIST			
LABEL	QTY	DESCRIPTION	LENGTH
1	1	C89-41-0.75 BLOCK	531
2	1	C89-41-0.75 HIP RAFTER	1993
3	1	C89-41-0.75 RAKE	1198
4	1	C89-41-0.75 RAFTER	584
5	1	C89-41-0.75 FASCIA BOARD	999
QTY: 5			TOTAL LENGTH: 4905mm



A-A



B-B

ROOF PANEL
R9

QUANTITY
1

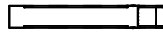
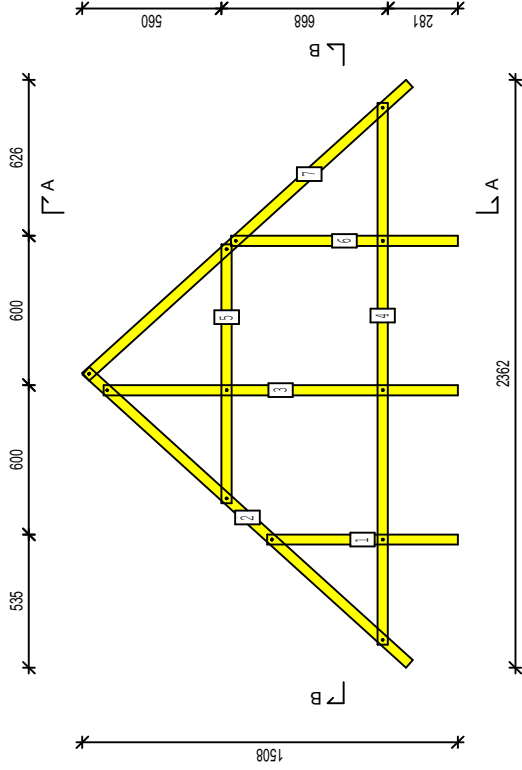
PROJECT
TAFE-MA1006640

FRAME WEIGHT - 10.9kg
PANEL WEIGHT - 10.9kg

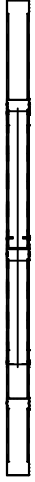
MelFrame Australia Pty Ltd
05.06.2023 Customer: TAFE NSW

SCREEN QTY: 24

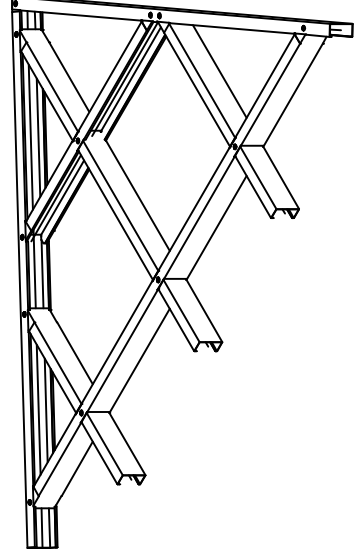
PIECE LIST			
LABEL	QTY	DESCRIPTION	LENGTH
1	1	C89-41-0.75 RAFTER	765
2	1	C89-41-0.75 HIP RAFTER	1754
3	1	C89-41-0.75 RAFTER	1423
4	1	C89-41-0.75 FASCIA BOARD	2177
5	1	C89-41-0.75 BLOCK	1040
6	1	C89-41-0.75 RAFTER	911
7	1	C89-41-0.75 HIP RAFTER	1754
QTY 7			TOTAL LENGTH 9824mm



A-A



B-B



ROOF PANEL
R10

QUANTITY
1

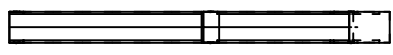
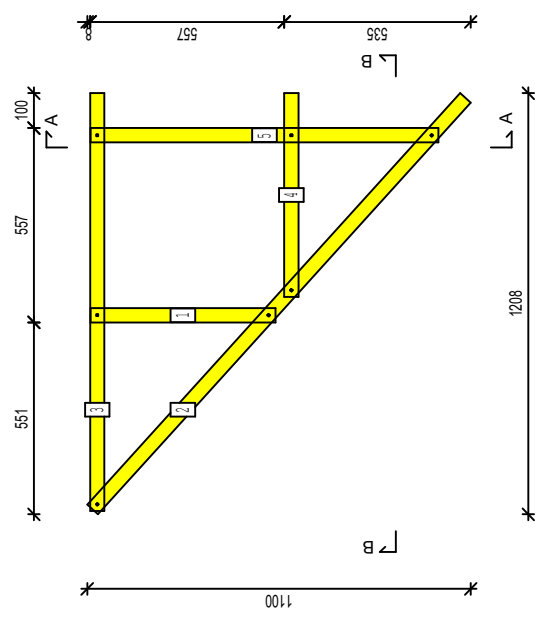
PROJECT
TAFE-MA1006640

FRAME WEIGHT - 5.4kg
PANEL WEIGHT - 5.4kg

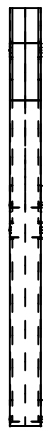
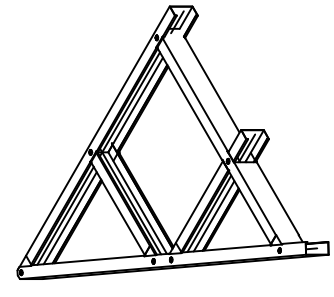
MelFrame Australia Pty Ltd
05.06.2023 Customer: TAFE NSW

SCREEN QTY: 14

PIECE LIST			
LABEL	QTY	DESCRIPTION	LENGTH
1	1	C89-41-0.75 BLOCK	531
2	1	C89-41-0.75 HIP RAFTER	1993
3	1	C89-41-0.75 RAKE	1198
4	1	C89-41-0.75 RAFTER	584
5	1	C89-41-0.75 FASCIA BOARD	999
QTY: 5			TOTAL LENGTH: 4905mm



A-A



B-B

ROOF PANEL
R11

QUANTITY
1

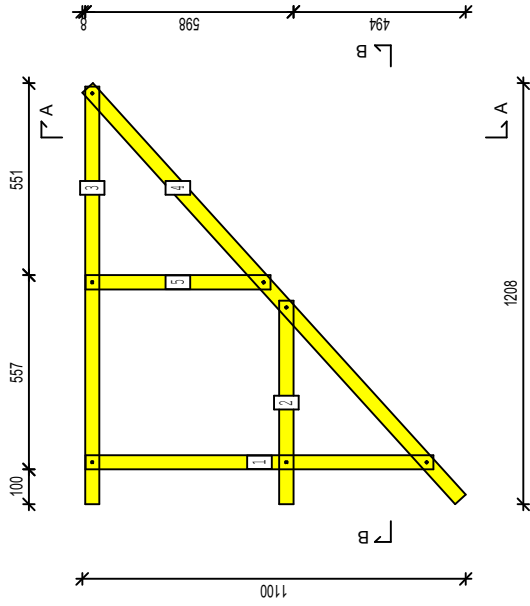
PROJECT
TAFE-MA1006640

FRAME WEIGHT - 5.4kg
PANEL WEIGHT - 5.4kg

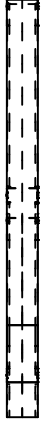
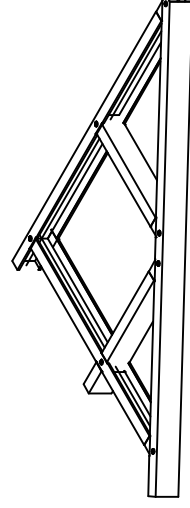
Meltrane Australia Pty Ltd
05.06.2023 Customer: TAFE NSW

SCREEN QTY: 14

PIECE LIST				
LABEL	QTY	MATERIAL	DESCRIPTION	LENGTH
1	1	C89-41-0.75	FASCIA BOARD	999
2	1	C89-41-0.75	RAFTER	584
3	1	C89-41-0.75	RAKE	1198
4	1	C89-41-0.75	HIP RAFTER	1933
5	1	C89-41-0.75	BLOCK	531
QTY: 5				TOTAL LENGTH: 4905mm



A-A



B-B

ROOF PANEL
R13

QUANTITY
1

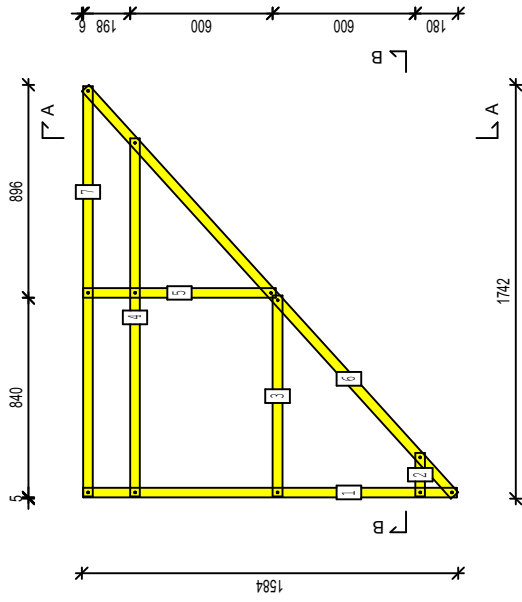
PROJECT
TAFE-MA1006640

FRAME WEIGHT - 9.9kg
PANEL WEIGHT - 9.9kg

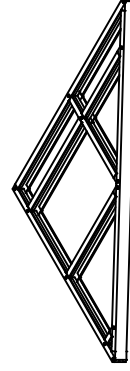
Meltrane Australia Pty Ltd
05.06.2023 Customer: TAFE NSW

SCREEN QTY: 24

PIECE LIST				
LABEL	QTY	MATERIAL	DESCRIPTION	LENGTH
1	1	C89-41-0.75	FASCIA BOARD	1573
2	1	C89-41-0.75	RAFTER	184
3	1	C89-41-0.75	RAFTER	846
4	1	C89-41-0.75	RAFTER	1508
5	1	C89-41-0.75	BLOCK	809
6	1	C89-41-0.75	VALLEY RAFTER	2314
7	1	C89-41-0.75	RAKE	1727
QTY	7	TOTAL LENGTH		8961mm



A-A



B-B

ROOF PANEL
R14

QUANTITY
1

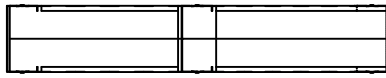
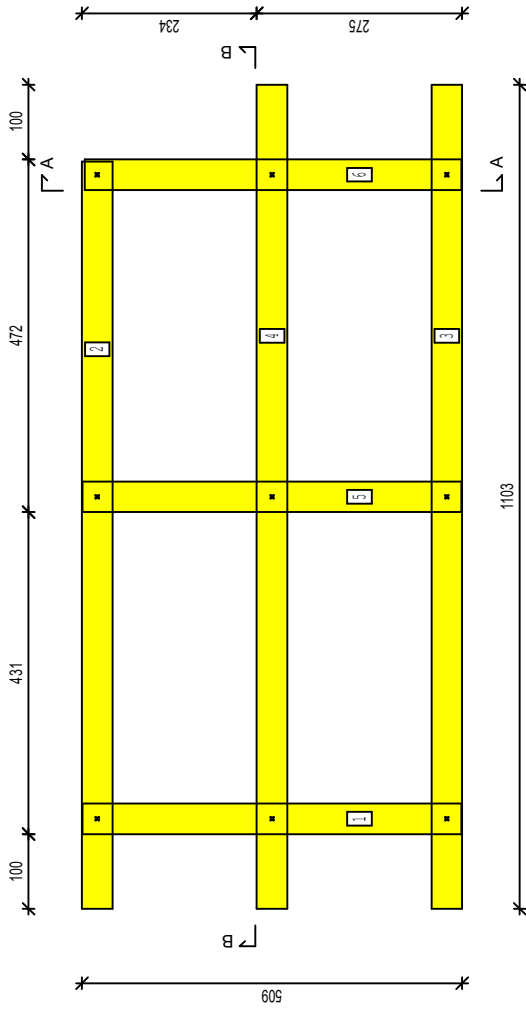
PROJECT
TAFE-MA1006640

FRAME WEIGHT - 5.2kg
PANEL WEIGHT - 5.2kg

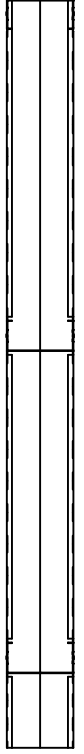
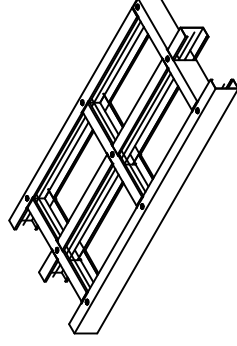
Melfane Australia Pty Ltd
05.06.2023 Customer: TAFE NSW

SCREEN QTY: 10

PIECE LIST				
LABEL	QTY	MATERIAL	DESCRIPTION	LENGTH
1	1	C89-41-0.75	FASCIA BOARD	508
2	1	C89-41-0.75	RAKE	1001
3	1	C89-41-0.75	RAKE	1103
4	1	C89-41-0.75	RAFTER	1103
5	1	C89-41-0.75	BLOCK	508
6	1	C89-41-0.75	FASCIA BOARD	508
QTY: 6				TOTAL LENGTH: 4728mm



A-A



B-B

ROOF PANEL
R15

QUANTITY
1

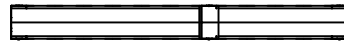
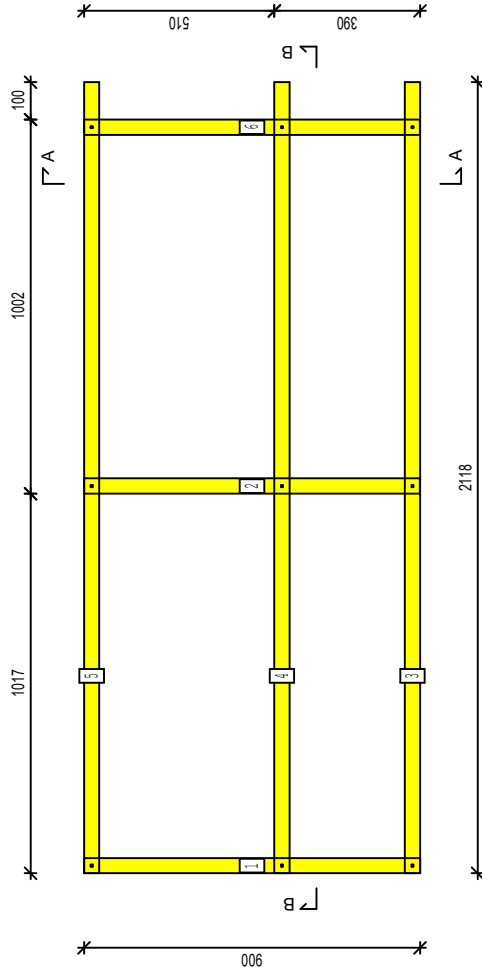
PROJECT
TAFE-MA1006640

FRAME WEIGHT - 10.0kg
PANEL WEIGHT - 10.0kg

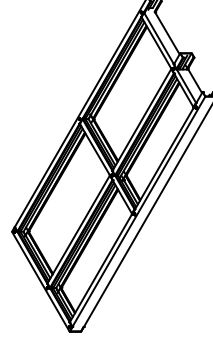
Melbore Australia Pty Ltd
05.06.2023 Customer: TAFE NSW

SCREEN QTY: 10

PIECE LIST			
LABEL	QTY	DESCRIPTION	LENGTH
1	1	C89-41-0.75 RIDGE	900
2	1	C89-41-0.75 BLOCK	899
3	1	C89-41-0.75 RAKE	2118
4	1	C89-41-0.75 RAFTER	2118
5	1	C89-41-0.75 RAKE	2118
6	1	C89-41-0.75 FASCIA BOARD	899
QTY: 6			TOTAL LENGTH: 9052mm



A-A



B-B